



Mecanum Wheel Chassis with Suspension it is a 4-wheel drive mobile platform based on the Mecanum wheel. Each kit contains two left Mecanum wheels and two right Mecanum wheels. The four Mecanum wheels are connected to an independently controlled motor. Depending on the direction and speed of each individual wheel, the mobile platform can be forward, backward, lateral and any other desired direction or rotation.

During the installation process, the most common mistake is the specification of the screw. Please remember the screw specification usage:

- M2.5* 14mm screw is used to fix the small ball head of the shock absorber;
- M2.5* 16mm screw is used to fix the large ball head of the shock absorber;
- M3* 6mm screws are used to fix the motor, chassis and copper column;
- M3* 10mm screws are used to fix flange bearings and brackets, brackets, and chassis;

There are small parts inside the accessories, so do not place them where children can touch them. Please check the shipping list before installation to check if there are any missing items. Be careful when installing, be careful of scratches.

The installation of this 4-wheel car is relatively simple, mostly repeated and symmetrical structure. If it is necessary to carry a large weight of the fitting, it is only necessary to install the tension spring of the distribution, but the damping effect will be significantly reduced, which is inevitable.

A large number of holes are integrated into the chassis to facilitate the installation of various modules, as well as other required accessories.

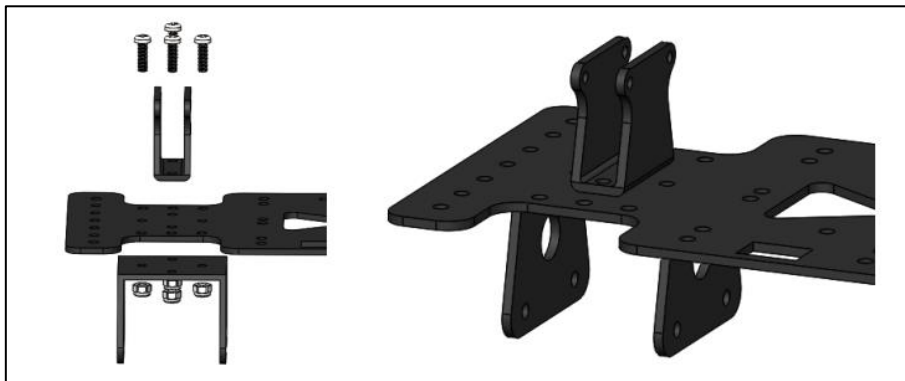


	Name	Quantity	Remarks
A	Chassis	2	up and down 2 aluminum chassis
	U-shaped bracket	2	
	Small U-shaped bracket	2	
	Motor bracket	4	
	Shock absorber	4	
	GA25-371 motor	4	1:34 reduction ratio
	75mm Mecanum Wheel Chassis	4	75mm
	copper column	8	30MM
	Flange bearing	8	3mm*8mm
	Cross sleeve	1	
	switch	1	
	spring	8	each type 4
	M3 * 6mm	24	

B	M3 * 10mm	8	
	M3 locknut	8	
	M2.5 * 14mm	4	
	M2.5* 16mm	4	
	M2.5 locknut	8	

Note: Please check the product specifications and quantity carefully before installation to avoid subsequent troubles.

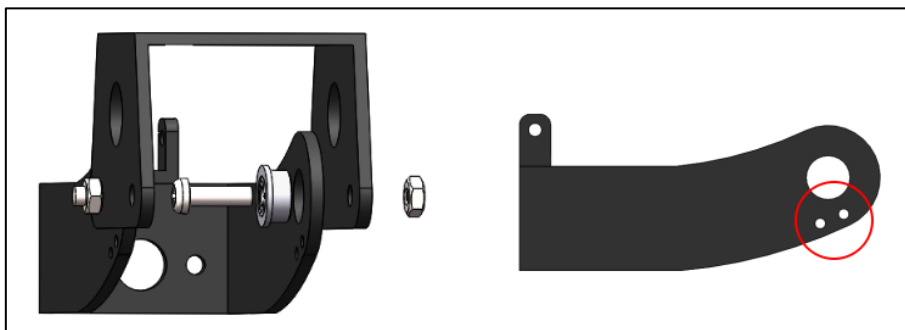
U-shaped bracket and up aluminum chassis Assembling



- The large U-shaped bracket is under, the small U-shaped bracket is on, pay attention to the opening direction, and install the remaining brackets according to this method.

- M3 * 10mm screw x 8
- M3 locknut x 8

U-shaped bracket and Motor bracket Assembling



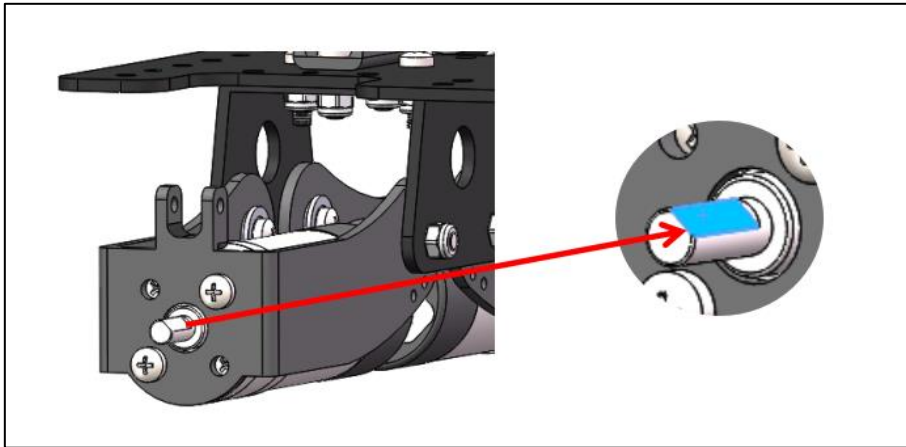
- If you need to install the tension spring, please install it in the red circle hole above and put it on the u-shaped bracket.

- The bearing is installed on the inner side of the bracket, the screw is inside, the nut is outside, the screw does not need to be tightened when the

bearing is fixed, it is suitable, too tight to affect the bearing rotation effect

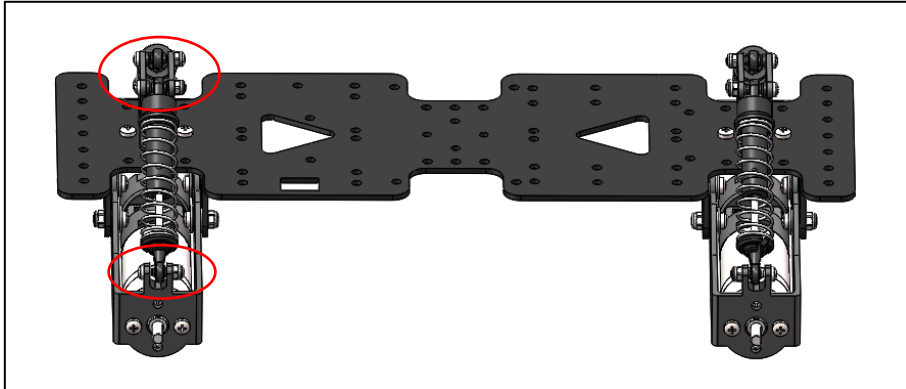
- M3 * 10mm screw x 4 (8)
- M3 locknut x 4 (8)
- Flange bearing x 4 (8)

3、Mounting motor



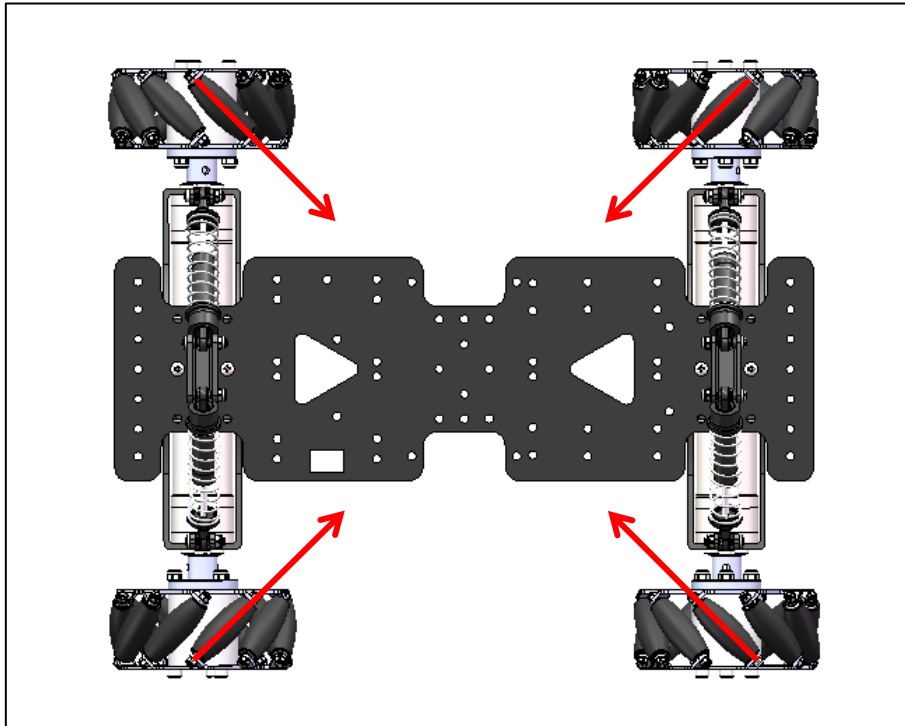
- The threaded hole of the motor is aligned with the bracket mounting hole. Pay attention to the direction of the encoder and fix it with screws.
- The coupling is mounted on the motor shaft and the screws are fixed on the D-shaped surface.
- M3 * 6mm screw x 2 (8)

4、fixed shock absorber



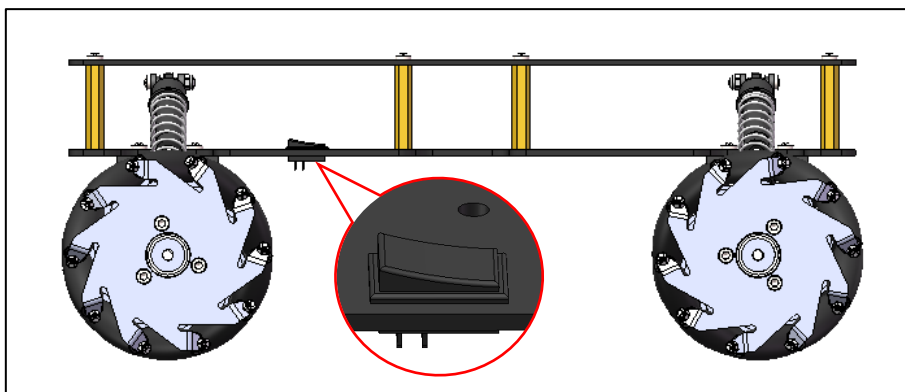
- Fix the metal shock absorber to the bracket, connect the upper bracket and the motor bracket, and adjust the spring stroke to adjust the strength.
- Metal shock absorber x 4
- M2.5* 16mm screw x 4 (above)
- M2.5* 14mm screw x 4 (below)
- M2.5 locknut x 8

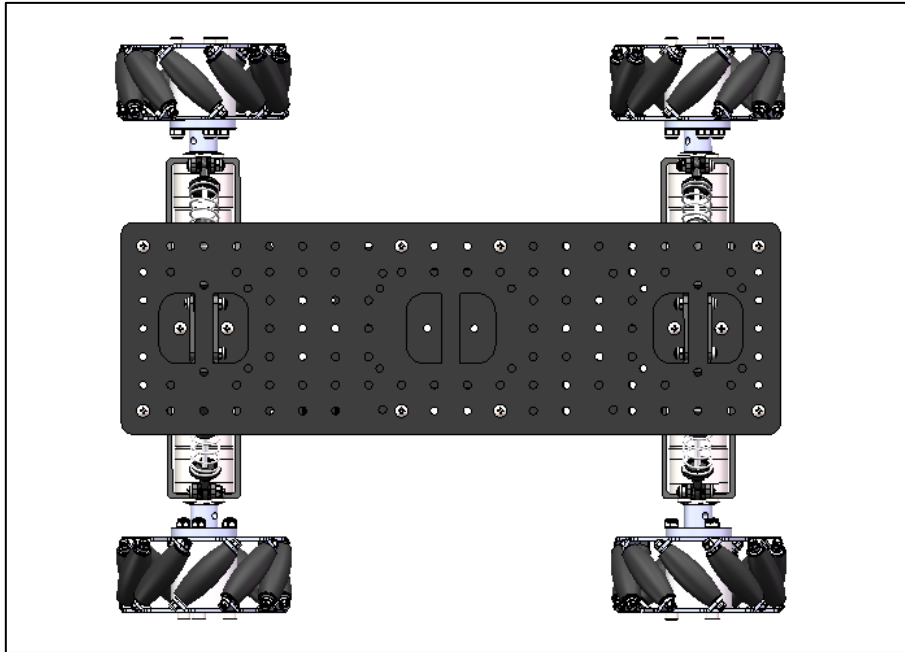
5、fixed wheel



- Fix the wheel to the motor output shaft, and the screw is fixed on the d-shaped surface of the motor shaft
- Mecanumwheel x 4
- The installation method of the wheel is the same as that in the figure. If the error is installed, the bottom plate cannot be used omnidirectionally.

6、install the copper column and the upper chassis to complete the installation





- Install the yellow copper column in the figure, fix it and then install the upper chassis.
- Copper column 30mm x 8
- M3 * 6mm x 16
- Rocker switch x 1