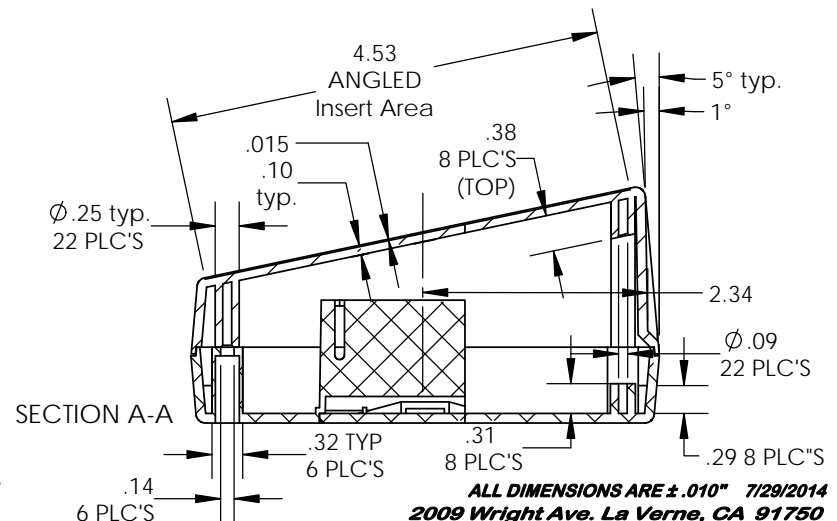
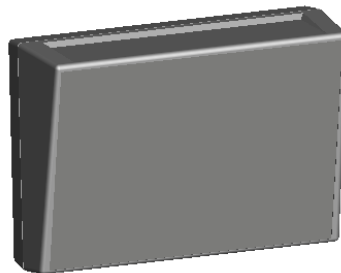
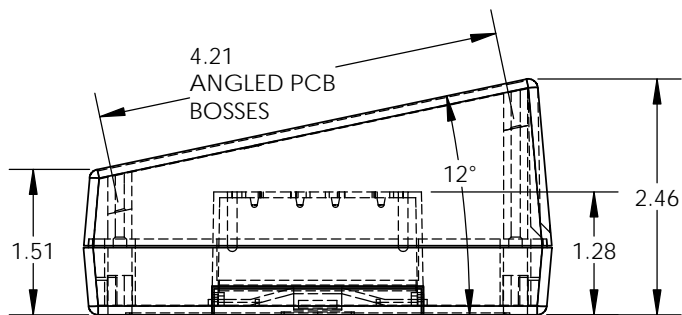
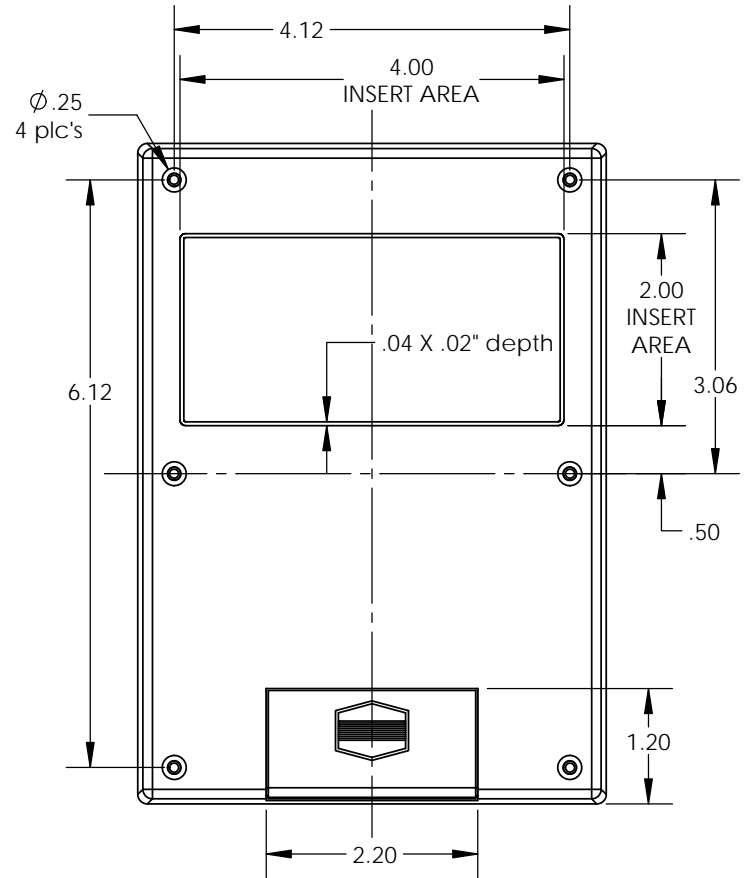
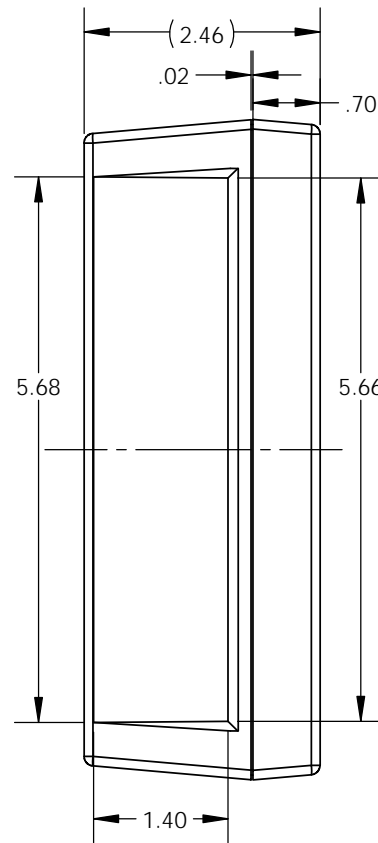
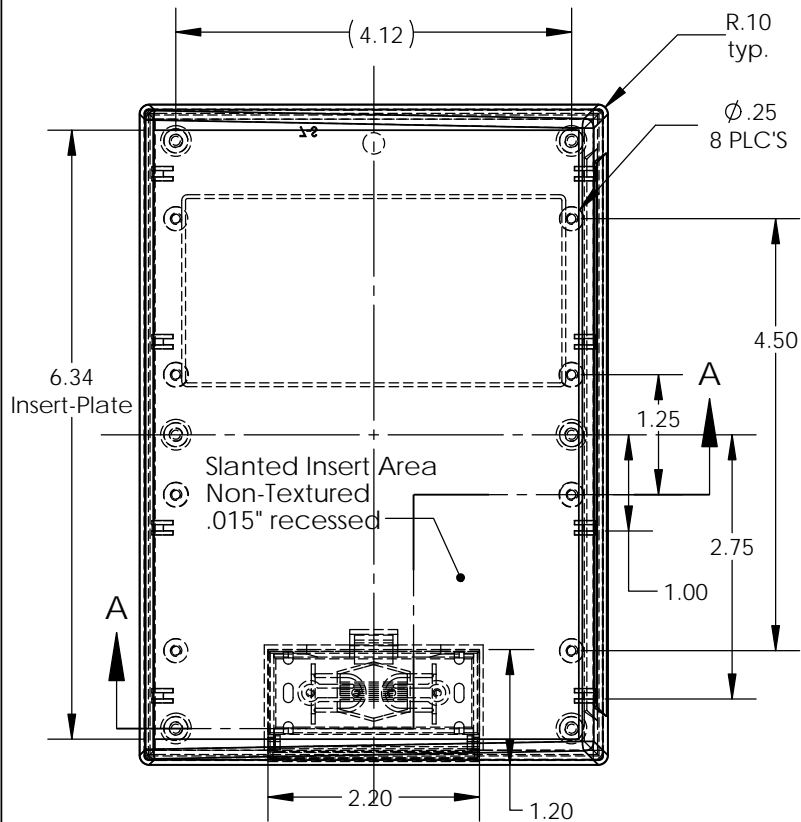


SERPAC27S (user print)

Electronic Enclosures



PART NO.	DESCRIPTION (Included)	ACCESSORIES (Optional)	
		PART NO.	DESCRIPTION
7-S	TOP		
27	BOTTOM	PS-17	Perimeter Seal
6005	#4 self tapping screw (6)		

- Notes:
- 1) Enclosure meets or exceeds IP40 and NEMA 1
 - 2) When used with PS-17 the enclosure meets or exceeds IP 67 and NEMA 4X, 12 and 13 MIL-STD-810G 506.5
 - 3) All components are RoHS Compliant.

ALL DIMENSIONS ARE $\pm .010"$ 7/29/2014
 2009 Wright Ave. La Verne, CA 91750
 Ph. (626) 331-0517 Fx. (626) 331-8584 www.serpac.com