

# 10/100BASE-TX SINGLE PORT TRANSFORMER MODULES



Ruggedized

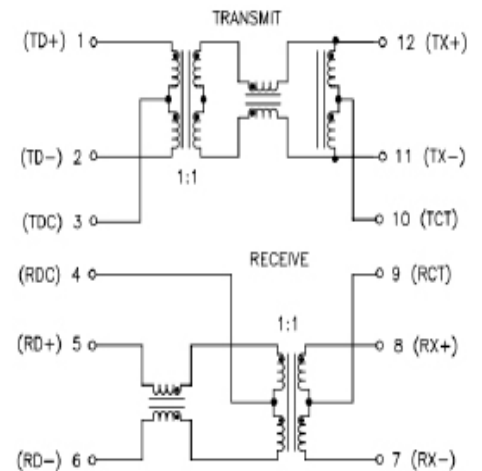
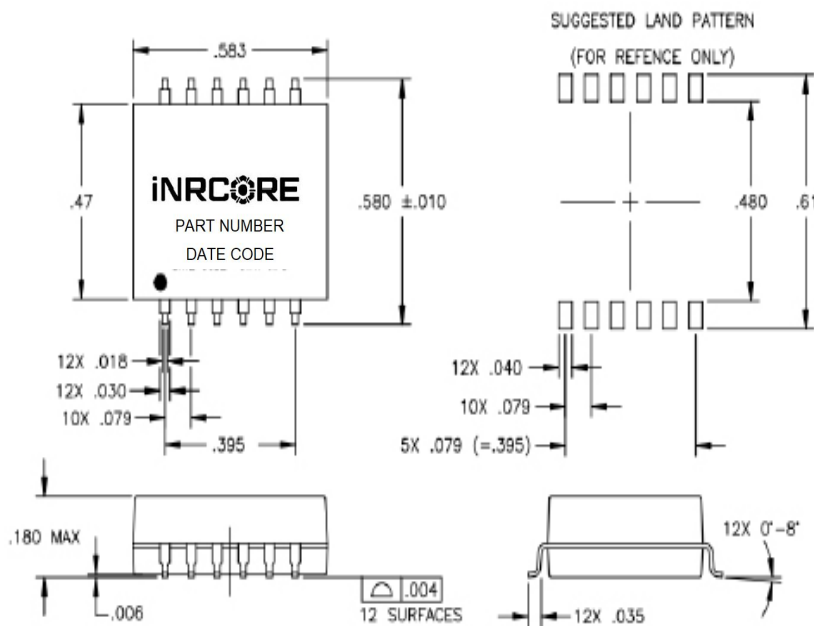
- ⚙️ Compliant with IEEE 802.3u & ANSI X3.263 standards
- ⚙️ 350uH OCL with 8mA DC
- ⚙️ IC grade transfer-molded package withstands 235°C peak temperature profile
- ⚙️ Moisture Sensitivity Level: 3

Electrical Specifications @ 25 °C – Operating Temperature – 55 °C to +125 °C												
Part Number	Insertion Loss (dB MAX)	Return Loss (dB MIN)				Crosstalk (dB MIN)				Differential to Common Mode Rejection (dB MIN)		
		0.1-100MHz	2-30 MHz	50 MHz	60 MHz	80 MHz	16 MHz	30 MHz	60 MHz	80 MHz	0.1-30MHz	30-60MHz
100B-1018X	-1.20	-18	-14	-12	-10	-48	-44	-40	-38	TX:-45	TX:-40	TX:-38
										RX:-45	RX:-40	RX:-33

## Mechanical

## Electrical Schematic

100B-1018X



Dimensions:  $\frac{\text{Inches}}{\text{mm}}$   
 Unless otherwise specified, all tolerances are:  $\pm \frac{.010}{0,25}$

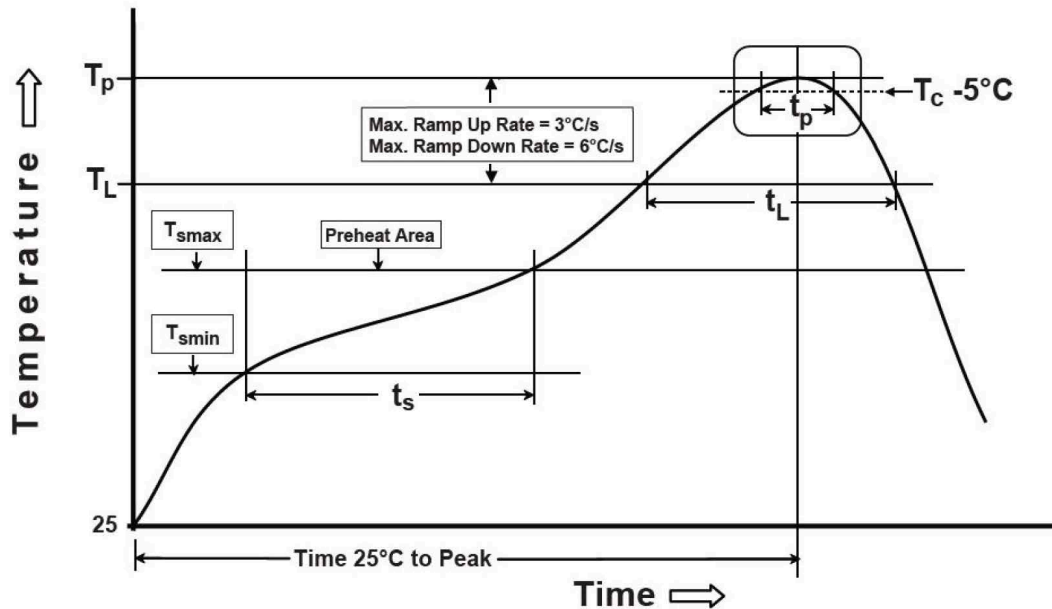


# 10/100BASE-TX SINGLE PORT TRANSFORMER MODULES



Ruggedized

## Tin/Lead Recommended Reflow Profile (Based on J-STD-020D)



T <sub>SMIN</sub> (°C)	T <sub>SMAX</sub> (°C)	T <sub>L</sub> (°C)	T <sub>P</sub> (°C MAX)	t <sub>S</sub> (s)	t <sub>L</sub> (s)	t <sub>P</sub> (s MAX)	Ramp-up rate (T <sub>L</sub> to T <sub>P</sub> )	Ramp-down rate (T <sub>P</sub> to T <sub>L</sub> )	Time 25°C to peak temperature (s MAX)
100	150	183	235	60-120	60-150	20	3°C/s MAX	6°C/s MAX	360

Notes:

1. All temperatures measured on the package leads.
2. Maximum times of reflow cycle: 2.

### For More Information

iNRCORE, LLC  
 311 Sinclair Road Bristol,  
 PA 19007-6812 U.S.A  
 Tel: + 1.215.781.6400  
 Fax: +1.215.7816430

**Global Sales Representatives and Locations:**  
<http://www.inrcore.com>

Performance warranty of products offered on this data sheet is limited to the parameters specified. Data is subject to change without notice. Other brand and product names mentioned herein may be trademarks or registered trademarks of their respective owners. © Copyright, 2020. iNRCORE, LLC. All rights reserved.

