

---

## Si4840/44 DEMO BOARD USER'S GUIDE

---

### 1. Features

- ATDD (analog tune and digital display) FM/AM/SW radio
- Worldwide FM band support from 64 to 109 MHz with 5 default sub-bands:
  - FM1 87–108 MHz (Demo Board Default)
  - FM2 86.5–109 MHz
  - FM3 87.3–108.25 MHz
  - FM4 76–90 MHz
  - FM5 64–87 MHz (Demo Board Default)
- Worldwide AM band support from 504 to 1750 kHz with 5 default sub-bands:
  - AM1 520–1710 kHz (Demo Board Default)
  - AM2 522–1620 kHz (Demo Board Default)
  - AM3 504–1665 kHz
  - AM4 520–1730 kHz
  - AM5 510–1750 kHz
- Worldwide SW band support from 2.3 MHz to 28.5 MHz with 16 default sub-bands:
  - SW1 5.6–6.4 MHz (Demo Board Default, for Si4844 only)
  - SW2 5.95–6.2 MHz
  - SW3 6.8–7.6 MHz (Demo Board Default, for Si4844 only)
  - SW4 7.1–7.6 MHz
  - SW5 9.2–10 MHz (Demo Board Default, for Si4844 only)
  - SW6 9.2–9.9 MHz
  - SW7 11.45–12.25 MHz (Demo Board Default, for Si4844 only)
  - SW8 11.6–12.2 MHz
  - SW9 13.4–14.2 MHz (Demo Board Default, for Si4844 only)
  - SW10 13.57–13.87 MHz
  - SW11 15–15.9 MHz (Demo Board Default, for Si4844 only)
  - SW12 15.1–15.8 MHz
  - SW13 17.1–18 MHz (Demo Board Default, for Si4844 only)
  - SW14 17.48–17.9 MHz
  - SW15 21.2–22 MHz (Demo Board Default, for Si4844 only)
  - SW16 21.45–21.85 MHz
- Twelve-position slide switch or one push button for selecting different bands according to the target application
- Two AAA battery operations with working voltage down to 2.0 V
- Economical potentiometer for frequency tuning replaces more expensive variable capacitor (PVC)
- Potentiometer and/or push button volume control
- FM 50  $\mu$ s or 75  $\mu$ s (default) de-emphasis
- FM stereo indication threshold 6 dB separation at 20 dB $\mu$ v RF input (default) or 12 dB separation at 28 dB $\mu$ v RF input
- 9-level Bass/Treble via push button control for FM
- 7-level Bass/Treble via push button control for AM/SW
- FM/AM/SW band indicator and frequency display in LCD
- 2x4 matrix keypad
- The frequency range of each band, the ST indication threshold, de-emphasis and AM channel space can be reconfigured by host MCU.

# Si4840/44-DEMO

## 2. Overview

This manual describes the operation of the Silicon Labs Si4840/44-DEMO board, Rev 1.3, June 30, 2011. The Silicon Laboratories Si4840/44 DEMO board is designed with the 24-pin SSOP-packaged Si4840/44 chip, the revolutionary single chip AM/FM/SW receiver that integrates everything from antenna output to audio input and allows use of common and economical potentiometers to do the frequency tuning. It provides a complete portable analog tune digital display AM/FM/SW radio design. The LCD displays the tuning information. The Si4840/44-DEMO is designed with 1-layer PCB, allowing the lowest cost without sacrificing the RF performance. The demo board works with two AAA batteries and working voltage down to 2.0 V.

## 3. Description

Figure 1 and Figure 2 show the physical layout of the board with key components indicated.

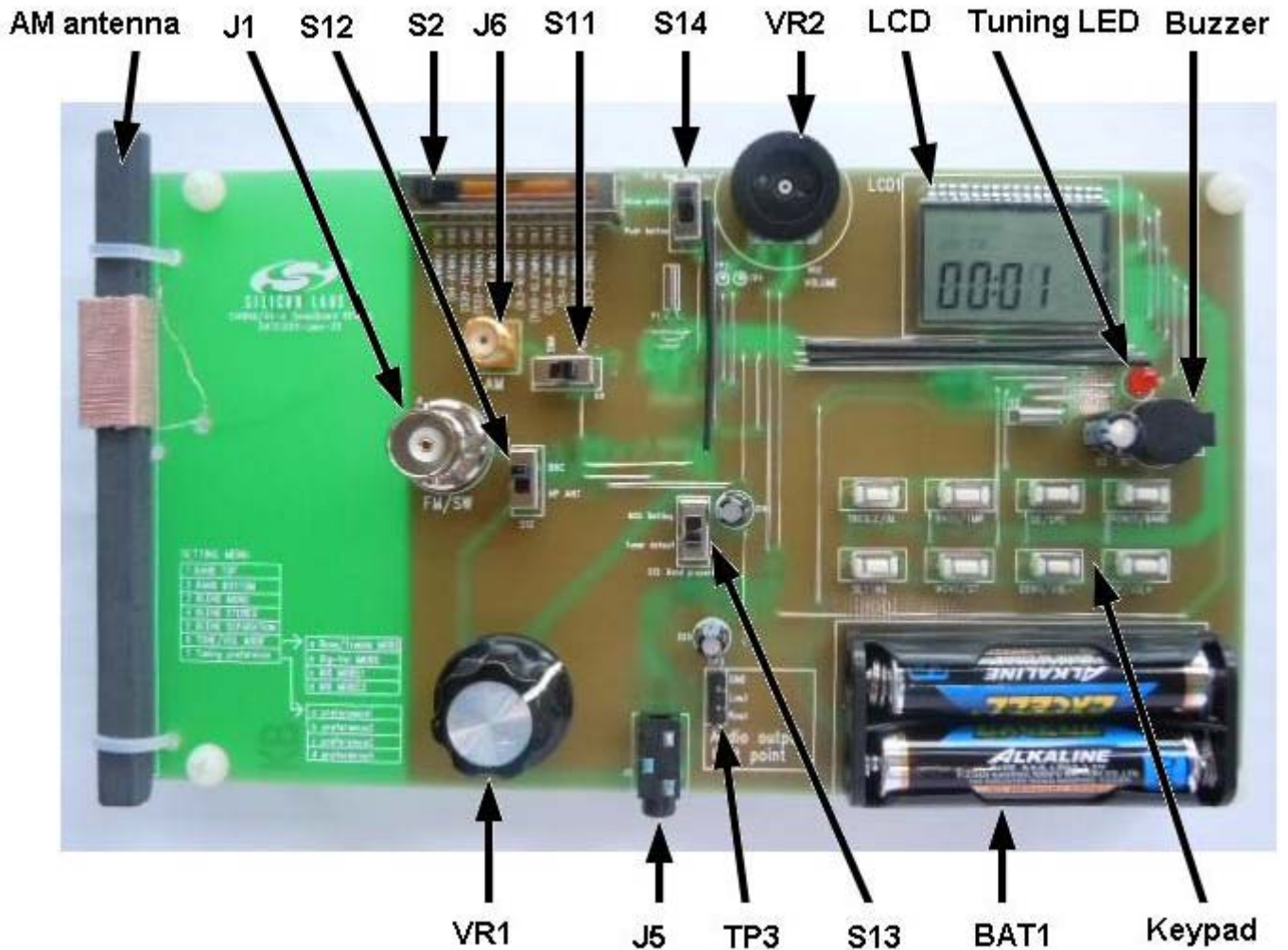


Figure 1. Si4840/44-DEMO Board Top Side in Time Mode

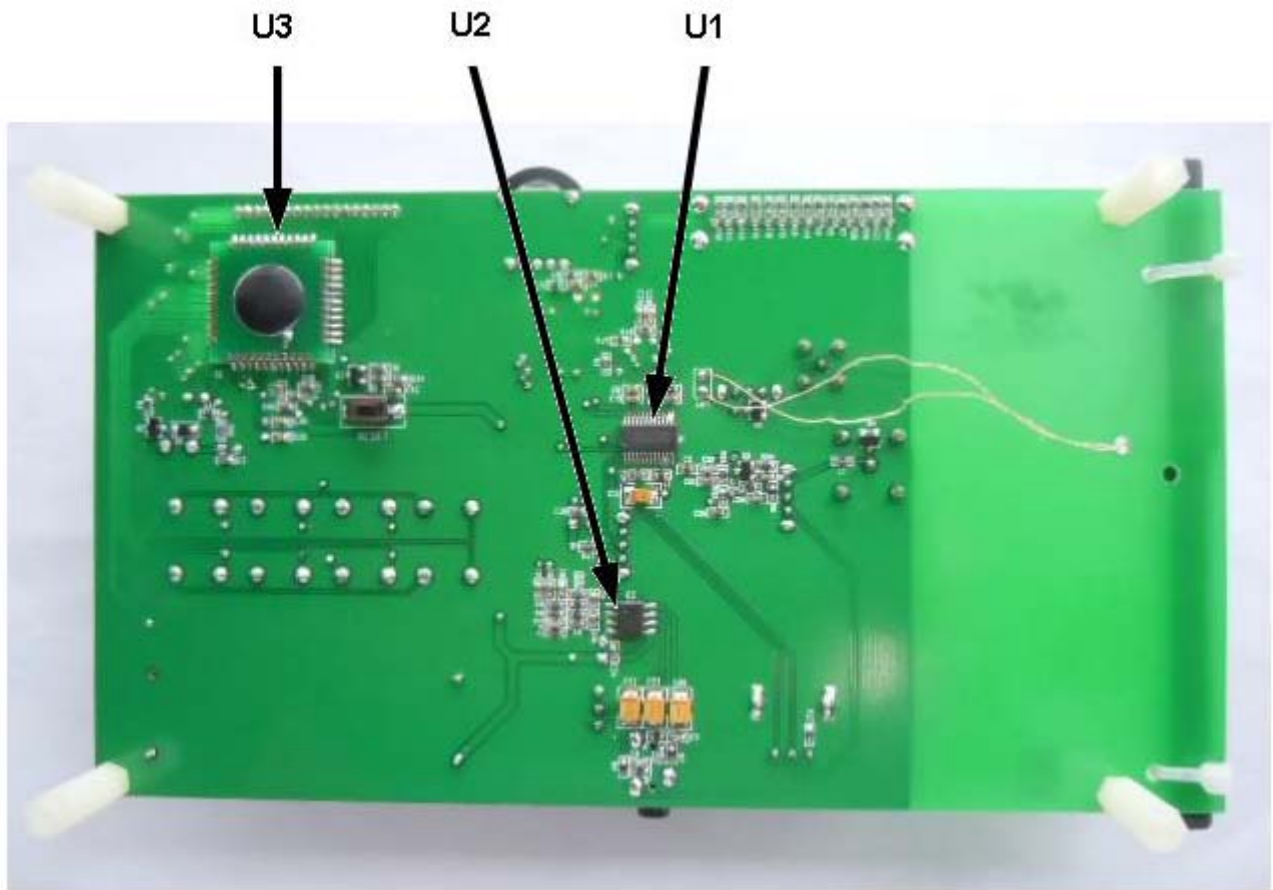


Figure 2. Si4840/44-DEMO Board Bottom Side

**Power:**

BAT1: 2 cells AAA battery compartment

**Audio connectors:**

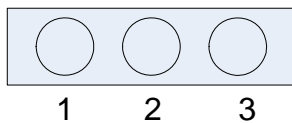
J5: Stereo audio headphone output

**Antenna selections:**

AM antenna: Ferrite stick antenna for AM

J6: SMA connector for AM conductive test

S11: AM antenna selection



1-2: SMA for AM Conductive Test (J6)

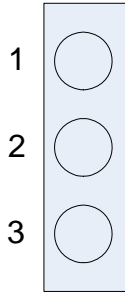
2-3: AM ferrite antenna

J1: BNC connector for FM/SW conductive test or FM whip antenna

# Si4840/44-DEMO

---

S12: FM antenna selection



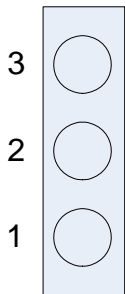
1-2 BNC (J1)

2-3 HP ANT (J5)

## Radio Band selection:

The Demo board provides 2 methods to select the radio band. One is to use the slide switch (S2); the other is to use the POWER/BAND push button. S14 determines which method is in use.

S14:

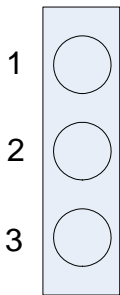


2-3: Use slide switch to select band

1-2: Use push button to select band

## Radio Band Property setting:

S13:



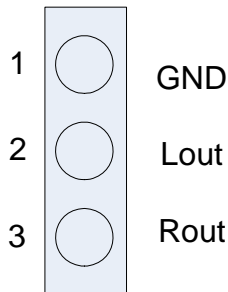
1-2: Use the keypad to set the band property via MCU

2-3: Use the tuner default band setting values

## Audio output test point:

For general specification test, TP3 is the recommended audio signal test point. The audio test instrument should be connected to TP3 to get more accurate test results. J5 can also be used as an audio test point, but the test results may not be entirely accurate under some circumstances.

TP3:



## Main components:

U1: Silicon Laboratories Si484x FM/AM/SW ATDD tuner

U2: Audio amplifier

U3: MCU

LCD: The digital display of tuning information

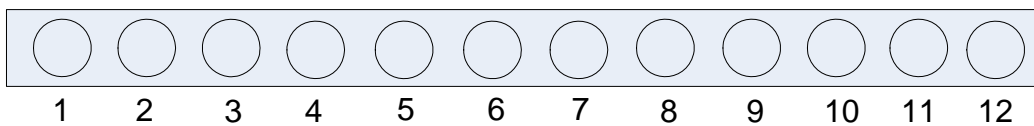
## Control interface:

VR1: Frequency tuning wheel

VR2: Volume control wheel

S3~S10: The keypad for human interface

S2: Band slide switch for FM, AM, and SW



## Band definition:

1: FM1 (87–108 MHz), De-emphasis=75 us, ST indication=6 dB separation@20 dB $\mu$ V

2: FM5 (64–87 MHz), De-emphasis=75 us, ST indication=6 dB separation@20 dB $\mu$ V

3: AM1 (520–1710 kHz), 10 kHz spacing

4: AM2 (522–1620 kHz), 9 kHz spacing

5: SW1 (5.6–6.4 MHz)

6: SW3 (6.8–7.6 MHz)

7: SW5 (9.2–10.0 MHz)

8: SW7 (11.45–12.25 MHz)

9: SW9 (13.4–14.2 MHz)

10: SW11 (15–15.9 MHz)

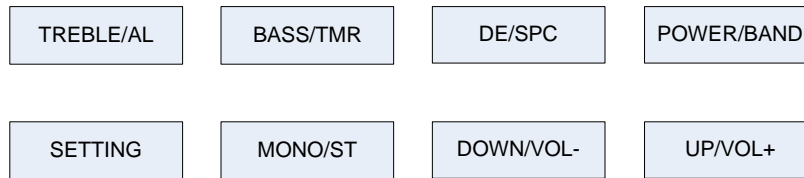
11: SW13 (17.1–18 MHz)

12: SW15 (21.2–22 MHz)

# Si4840/44-DEMO

## Human Interface:

There are 8 keys for controlling the demo board as shown below.



Each key can have a different function under each operating condition:

- **Time mode:** Radio function is disabled. LCD displays time. Buttons can be used to set time, alarm, etc.
- **FM/AM/SW Radio mode:** Tuner IC works in power up mode. Radio function is enabled. LCD displays the radio station parameters. Buttons are used to adjust radio settings. The functions of the buttons are summarized in Table 1. The FM/AM/SW radio parameters which can be configured are listed in Table 2.

**Table 1. Key Function Description**

Button		Time Mode Tuner Off	FM/AM/SW Radio Mode Tuner On
POWER/BAND	Hold Time < 1s	None	Change between FM, AM, and SW (there are 1 FM band, 1 AM band and 8 SW bands)
	Hold Time > 1s	Enable radio	Disable radio function and enter Time mode. (Radio parameters will be saved to MCU.)
DE/SPC		None	FM mode: Change De-emphasis, between 50 and 75 us. AM mode: Change channel space, between 9 kHz and 10 kHz.
BASS/TMR		Enter or quit setting menu.	Decrease Bass/Treble level by 1 step.
TREBLE/AL		Enable or disable the alarm function; enter or quit alarm setting menu.	Increase Bass/Treble level by 1 step.
UP/VOL+	Hold Time < 1s	In setting menu, change the current time/alarm parameter by one unit per each press.	In radio setting menu, change the current parameter by one unit per each press. In radio working mode, increase volume 1 step per each press.
	Hold Time > 1s	In setting menu, change the current time/alarm parameter automatically.	In radio setting menu, change the current parameter automatically. In radio working mode, increase volume level automatically until to maximum.
DOWN/VOL-	Hold Time < 1s	In setting menu, change the current time/alarm parameter by one unit per each press.	In radio setting menu, change the current parameter by one unit per each press. In radio working mode, decrease volume 1 step per each press.

**Table 1. Key Function Description (Continued)**

Button		Time Mode Tuner Off	FM/AM/SW Radio Mode Tuner On
	Hold Time > 1s	In setting menu, change the current time/alarm parameter automatically.	In radio setting menu, change the current parameter automatically. In radio working mode, decrease volume level automatically until to minimum.
MONO/ST		None	FM mode: change between forced mono audio and ST audio.
SETTING	Hold Time < 1s	None	In radio setting menu, change the selected item per each press.
	Hold Time > 1s	None	Quickly return to FM working mode.

**Table 2. Radio Configuration Parameters**

<b>FM parameter</b>	<b>AM Parameter</b>	<b>SW Parameter</b>
Bass/Treble: 0-8 Default: 4	Bass/Treble: 1-7 Default: 3	Bass/Treble: 1-7 Default: 3
Digital Volume: 0-63 Default: 63	Digital Volume: 0-63 Default: 63	Digital Volume: 0-63 Default: 63
Band Top: Max 109 MHz Default: 108 MHz	Band Top: Max 1750 kHz Default: 1710 kHz	Band Top: Max 28.5 MHz Default: 6.4/7.6/10/12.25/14.2/15.9/18/22 MHz for SW1 to SW8 respectively.
Band Bottom: Min 64 MHz Default: 87.5 MHz	Band Bottom: Min 504 MHz Default: 522 MHz	Band Bottom: Min 2.3 MHz Default: 5.6/6.8/9.2/11.45/13.4/15/17.1/21.2 MHz for SW1 to SW8 respectively
Band Range: Max 22 MHz	Band Range: Max 2.2 MHz	Band Range: Max 1.1 MHz
De-emphasis: 50 or 75 $\mu$ s Default: 75 $\mu$ s	Channel space: 9 or 10 kHz Default: 9 kHz	
Blend mono: 0-127 dB $\mu$ V Default: 8 dB $\mu$ V		
Blend stereo: 0-127 dB $\mu$ V Default: 49 dB $\mu$ V		
Blend separation: 0-100% Default: 50%		
Tone/VOL mode: a-d Default: d		
Tuning preference: a-d Default: a		



**Notes:**

Tone/VOL mode has 4 selections:

- Bass/treble mode: no digital volume control, fixed volume level at 59.
- Digital volume mode: no bass/treble effect, volume levels from 0 to 63.
- Mixed mode 1: bass/treble and digital volume coexist, volume levels from 0 to 63, scale to 0~59.
- Mixed mode 2: bass/treble and digital volume coexist, volume levels from 0 to 63.

The tuning preference of FM mode has 4 selections:

- Preference 1: When tuning to adjacent channels, allow stereo separation and stereo indicator is on, volume level decreases by 2 dB.
- Preference 2: When tuning to adjacent channels, allow stereo separation and stereo indicator is on, volume level is unchanged.
- Preference 3: When tuning to adjacent channels, disable stereo separation and stereo indicator is off, volume level decreases by 2 dB.
- Preference 4: When tuning to adjacent channels, disable stereo separation and stereo indicator is off, volume level is unchanged.

The tuning preference of SW mode has 2 selections:

- Preference 1: When tuning to adjacent channels, the volume level decreases by 2 dB.
- Preference 2: When tuning to adjacent channels, the volume level remains unchanged.

There is no tuning preference selection for AM mode.

## 4. Operation

The Si4840/44-Demo Board, a complete analog tune and digital display radio, provides two major modes of operation: Time Mode and FM/AM/SW Radio Mode.

### 4.1. Time Mode

Put 2 AAA batteries into the battery compartment. The board will automatically enter Time Mode and display the time. The demo board display in Time Mode is illustrated in Figure 1.

#### 4.1.1. Time Setting

The time default value is 00:00 and can be set to the correct time manually when needed.

1. In Time Mode, press the BASS/TMR button to enter the setting menu. The default is to set the minute item first. Press this button again to select the hour item. The selected item flashes.
2. While the selected item is flashing, press the DOWN/VOL- and UP/VOL+ button to set the desired time.
3. When you have finished setting the time, press the BASS/TMR button to quit the setting menu. The MCU automatically quits the setting menu if there is no operation within 2 seconds.

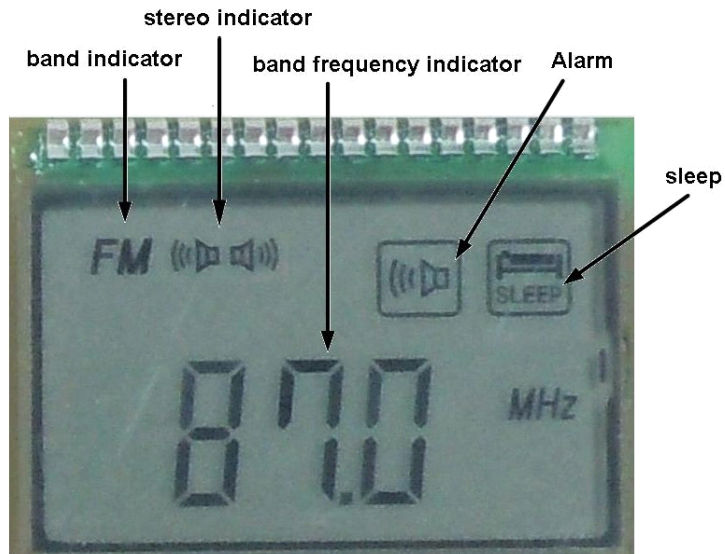
#### 4.1.2. Alarm Setting

1. In Time Mode, press the TREBLE/AL button to enable or disable the alarm function, and enter the setting menu automatically when the alarm is enabled. Once you have entered the setting menu, the default is to set the minute item first. Press this button again to select the hour item. The selected item flashes.
2. While the selected item is flashing, press the DOWN/VOL- and UP/VOL+ button to set the desired time.
3. When you have finished the alarm setting, press the TREBLE/AL button to quit the setting menu. The MCU automatically quits the setting menu if there is no operation within 2 seconds.
4. If the alarm is enabled and the alarm setting time is matched, the radio will be automatically turned on after the buzzer sounds for 5 seconds.
5. The radio will be turned off and the demo board will go into sleep mode automatically if there is no operation on the buttons within 15 minutes; if there is any operation on the buttons, the auto-sleep function will be disabled. The radio keeps working throughout this time.

### 4.2. FM/AM/SW Radio Mode

In Time Mode, long press (hold time >1s) the POWER/BAND button or when the alarm time is reached, the device will enter FM/AM/SW mode. The LCD displays the following information: band indicator, band frequency indicator, stereo indicator, and sleep indicator in case radio is automatically turned on by the alarm.

The demo board display in FM/AM/SW Mode is illustrated in Figure 3.



**Figure 3. LCD Display in FM Radio Mode**

The demo board provides two methods to select the radio band. One is to use the slide switch (S2). The other is to use the POWER/BAND push button. S14 determines which method is in use.

The demo board also provides two methods to set the band property. One is to use the tuner default values; the other is to use the keypad to reconfigure the band property value via the MCU. S13 determines which method is in use. If you use the tuner default values, the band property is fixed and cannot be reconfigured. Refer to section “4.2.1. MCU Setting Band Property” for the operation details for setting the band property using the keypad.

To operate the demo board, follow these procedures:

1. According to the desired radio band selection method, set S14 to use the slide switch or push button.
2. According to the desired radio band property, set S13 to use tuner default values or reconfigure the band property.
3. Hold the POWER/BAND push button (hold time >1s) or when the alarm time is reached, the device will enter FM/AM/SW Radio Mode.
4. Use slide switch S2 or press the POWER/BAND push button to select the desired band.
5. Refer to section “4.2.1. MCU Setting Band Property” or section “4.2.2. MCU Setting Radio Working Mode” to reconfigure the band property or radio working mode if necessary.
6. Rotate the turning wheel and find the desired radio station with the help of the LCD display and/or tuning indicator D1.
7. Rotate the volume control wheel VR2 and/or press the DOWN/VOL- or UP/VOL+ button to get a comfortable volume. Press the BASS/TMR or TREBLE/AL button to get the desired bass/treble level.

**Notes:**

- For FM listening, the earphone cable must be connected to the board when S12 is set to HP ANT or an external antenna must be connected to the BNC connector when S12 is set to BNC.
- For AM listening, the ferrite antenna must be connected to the board and the S11 is set to Ferrite before turning on the radio or switching the band to AM.

# Si4840/44-DEMO

## 4.2.1. MCU Setting Band Property

The demo board provides the function that the band property can be set by MCU. The band property includes:

- Band top
- Band bottom
- Blend mono (only for FM)
- Blend stereo (only for FM)
- Blend separation (only for FM)
- De-emphasis (only for FM)
- Channel Space (only for AM)

The setting menu is illustrated in Figure 4.

To set the band properties, follow these steps:

1. Press the SETTING button to enter the setting menu and select the item to be set. The selected item flashes for 1 second, then automatically switches to its current value.
2. While the value is flashing, press the DOWN/VOL- or UP/VOL+ button to set the desired value within 3 seconds.
3. Repeat steps 1 and 2 to finish setting the band properties.
4. When the band properties are set, the MCU automatically quits the setting menu if there is no operation within 3 seconds.
5. In FM working mode, press the DE/SPC button to set the De-emphasis to 50 or 75  $\mu$ s.
6. IN AM working mode, press the DE/SPC button to set the Channel Space to 9 kHz or 10 kHz.

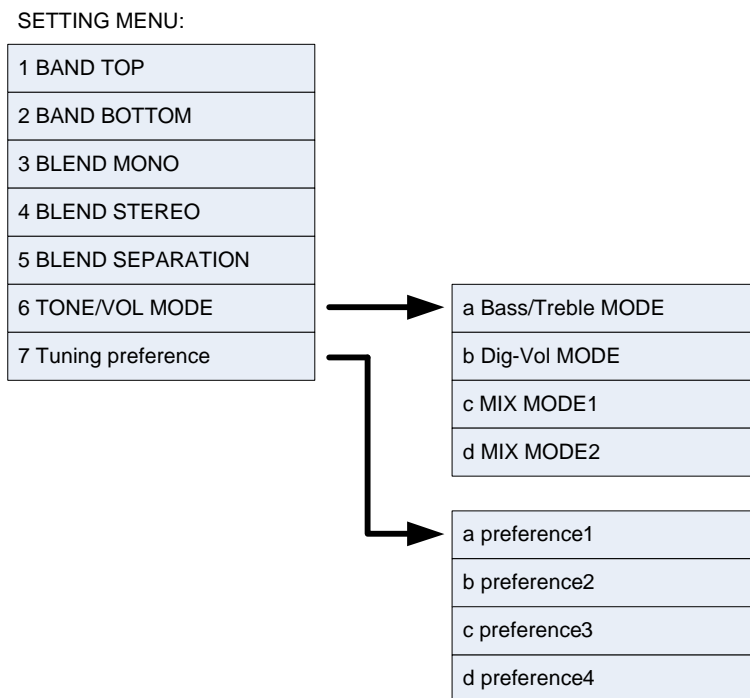


Figure 4. Setting Menu

## 4.2.2. MCU Setting Radio Working Mode

The host MCU can set the radio working mode. The working mode includes:

- Tone/volume mode (only for FM mode), item 6 in the setting menu
- Tuning preference (only for the FM and SW), item 7 in the setting menu
- Forced mono audio/ST audio (only for FM)

To set the radio working mode, follow these steps:

1. Press the SETTING button to enter item 6. The LCD displays the item number st6 for 1 second, then automatically switches to its mode indication.
2. Press the DOWN/VOL– or UP/VOL+ button to select the desired mode within 3 seconds.
3. Repeat steps 1 and 2 to set the tuning preference by setting item 7.
4. When the radio working mode is set, the MCU automatically quits the setting menu if there is no operation within 3 seconds.
5. Press the MONO/ST button to select forced mono audio or ST audio in FM mode when necessary.

# Si4840/44-DEMO

## 5. Bill of Materials

- ATDD AM/FM/SW receiver IC Si484x with external 32.768 kHz crystal oscillator support
- LM4910MA Audio Amplifier IC
- TM8795 MCU

See Table 3 for details.

**Table 3. Si4840/44-DEMO Board Bill of Materials Rev. 1.3**

Item	Qty	Reference	Description	Value
1	12	C1-2, C6, C19, C24, C37-42, C44	CAP,SM,0603,X7R	0.1u
2	2	C5, C36	CAP,SM,0603,X7R	0.47u
3	3	C8-10	CAP,SM,0603,COG	100p
4	1	C33	CAP,SM,0603,COG	10p
5	4	C4, C7, C12, C21	CAP,SM,0603,X7R	10u
6	4	C28-29, C32, C35	CAP,SM,0603,COG	22p
7	2	C11, C20	CAP,SM,0603,COG	330p
8	2	C30-31	CAP,SM,0603,COG	33n
9	1	C34	CAP,SM,0603,COG	33p
10	1	C15	CAP,SM,0603,X7R	4.7u
11	1	C13	CAP,SM,1210,X7R	47u
12	2	C18, C22	CAP,SM,0603,COG	820p
13	3	C23, C26, C27	CAP,SM,1210,X7R	220u
14	2	C14, C25	Electrolytic capacitor	100u/4V
15	1	C3	Electrolytic capacitor	220u/4V
16	1	R27	RES,SM,0603	100R
17	1	R34	RES,SM,0603	100k
18	1	R32	RES,SM,0603	10R
19	2	R3, R42	RES,SM,0603	10k
20	1	R41	RES,SM,0603	120k
21	2	R17, R22	RES,SM,0603	12k
22	2	R1-2	RES,SM,0603	1M
23	2	R4, R31	RES,SM,0603	1k
24	1	R24	RES,SM,0603	200R

Table 3. Si4840/44-DEMO Board Bill of Materials Rev. 1.3 (Continued)

Item	Qty	Reference	Description	Value
25	1	R13	RES,SM,0603	22R
26	2	R5-6	RES,SM,0603	2k
27	2	R16, R18	RES,SM,0603	2.2k
28	1	R46	RES,SM,0603	4.7M
29	2	R19-20	RES,SM,0603	6.8k
30	1	R21	RES,SM,0603	NP
31	1	R7	RES,SM,0603,Tolerance $\pm 1\%$	10k 1%
32	1	R29	RES,SM,0603,Tolerance $\pm 1\%$	160k 1%
33	9	R9-12, R14-15, R28, R33, R35	RES,SM,0603,Tolerance $\pm 1\%$	20k 1%
34	1	R43	RES,SM,0603,Tolerance $\pm 1\%$	30k 1%
35	1	R36	RES,SM,0603,Tolerance $\pm 1\%$	33k 1%
36	1	R8	RES,SM,0603,Tolerance $\pm 1\%$	40k 1%
37	1	R44	RES,SM,0603,Tolerance $\pm 1\%$	47k 1%
38	1	U1	SI484x-A SSOP24	Si4844-A
39	1	U2	LM4910MA,SO8	LM4910MA
40	1	U3	TM8795 44 PIN	TM8795 44 PIN
41	1	Q2	TRANSISTOR NPN SOT23	2N3904
42	1	Q1	TRANSISTOR NPN SOT23	2SC9018
43	1	Q3	TRANSISTOR NPN SOT23	2N3906
44	2	D2 D4	DIODE,SM,ESD,SOT23	BAV99
45	4	B4, B5, B6, B7	FERRITE BEAD,SM,0603	2.5k/100M
46	1	B1	FERRITE BEAD,SM,0603	NP
47	1	BZ1	BUZZER	BUZZER
48	2	Y1-2	CRYSTAL	32.768KHz
49	1	D1	LED	LED
50	1	D6	1N4148	1N4148
51	1	J5	Stereo earphone jack with switch	3.5mm
52	1	L1	RES,SM,0603	0R
53	1	L2	IND,SM,0603	270nH

# Si4840/44-DEMO

Table 3. Si4840/44-DEMO Board Bill of Materials Rev. 1.3 (Continued)

Item	Qty	Reference	Description	Value
54	2	L3, L4	IND,SM,0603	120nH
55	1	LCD1	LCD	LCD
56	1	J1	BNC VERTICAL	BNC for FM testing
57	1	J6	SMA VERTICAL	SMA for AM testing
58	1	ANT1	AW ferrite stick antenna	220uH
59	1	BAT1	BATTERY BOX ,AAA*2 SIZE	
60	4	S11-14	One pole two throw switch	
61	1	S2	Single pole twelve throw switch	
62	8	S3-10	Push button DIP	Push button
63	1	S1	Push button SM	Push button
64	1	TP3	CONN,TH,1x3,HDR	CONN,TH,1x3,HDR
65	1	VR1	100k,±10%,Variable resistor(POT)	100k
66	1	VR2	10k,±20%,Variable resistor(POT)	10k





# Si4840/44-DEMO

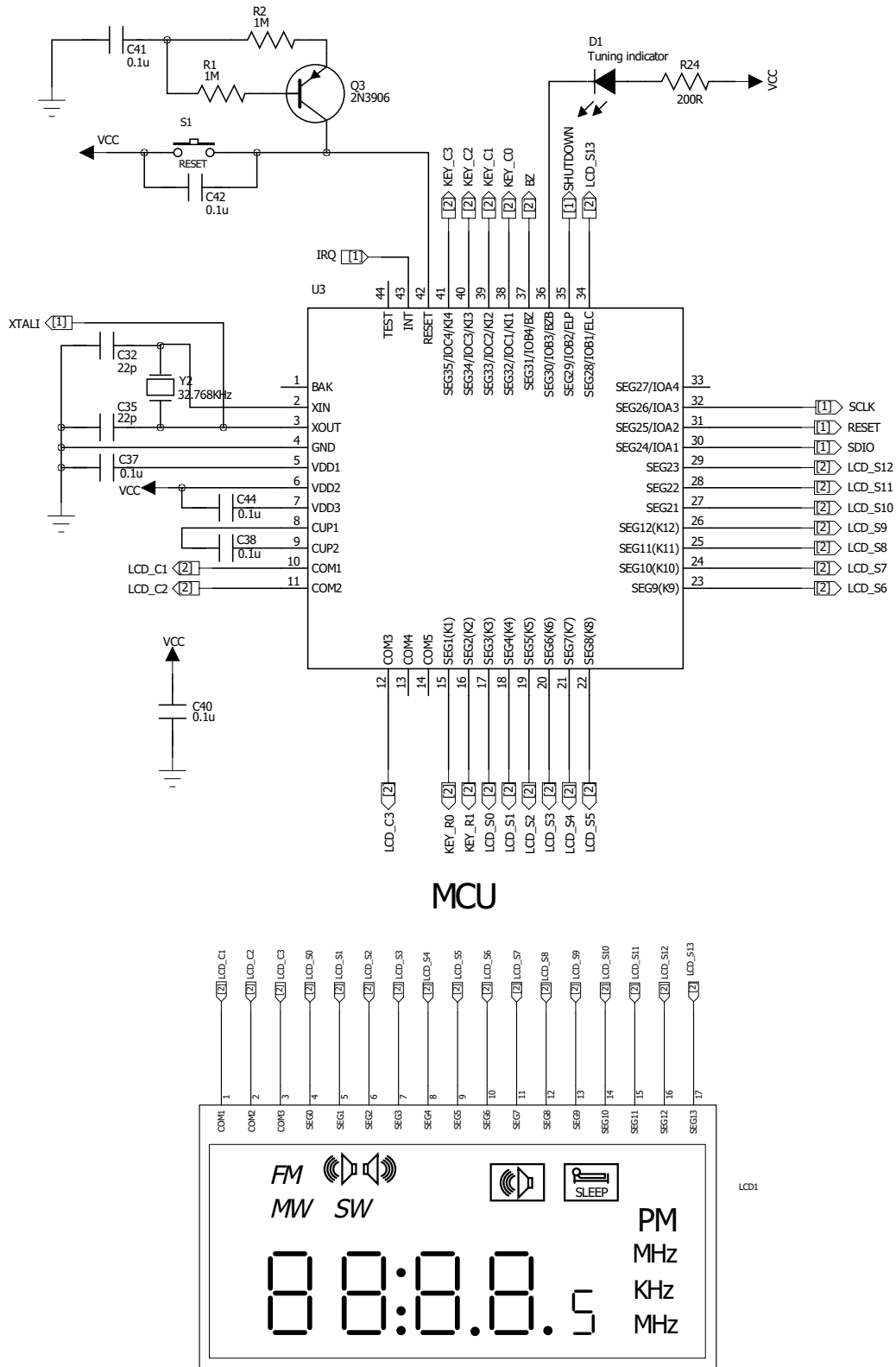
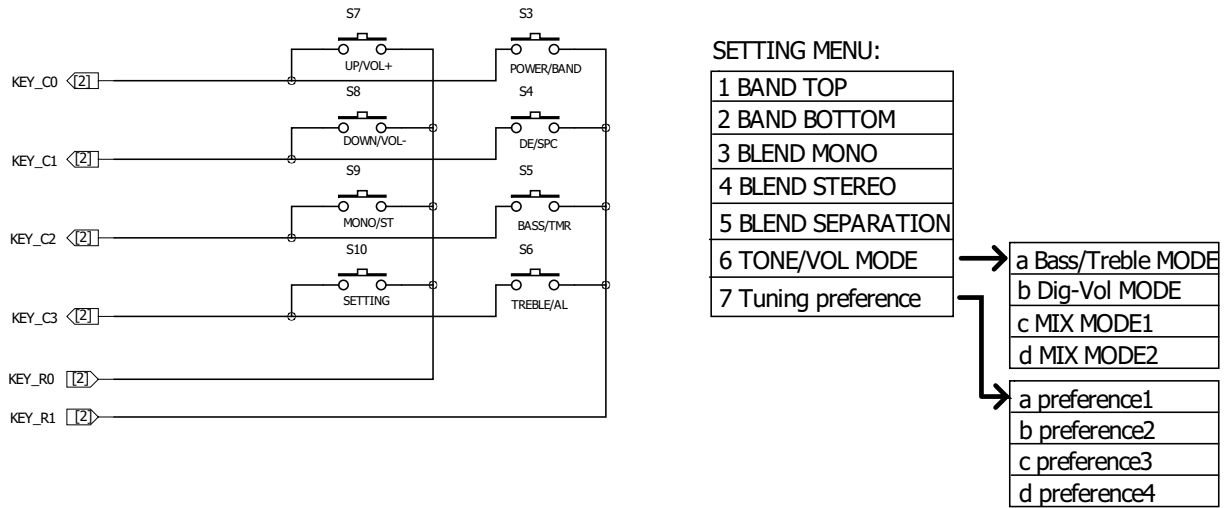
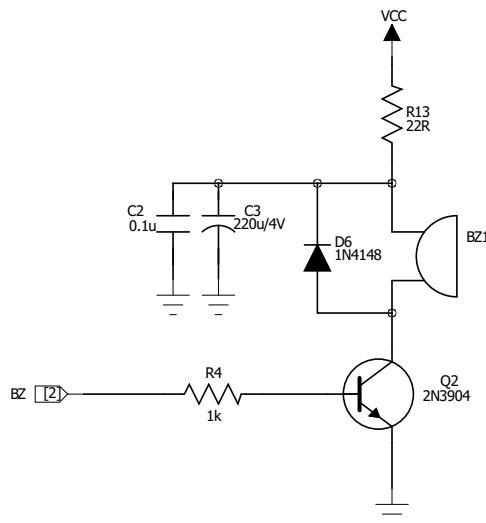


Figure 6. Si4840/44 DEMO Board Rev. 1.3 Schematic – MCU Portion (1 of 2)



## KEY



## BUZZER

Figure 7. Si4840/44 DEMO Board Rev. 1.3 Schematic – MCU Portion (2 of 2)

# Si4840/44-DEMO

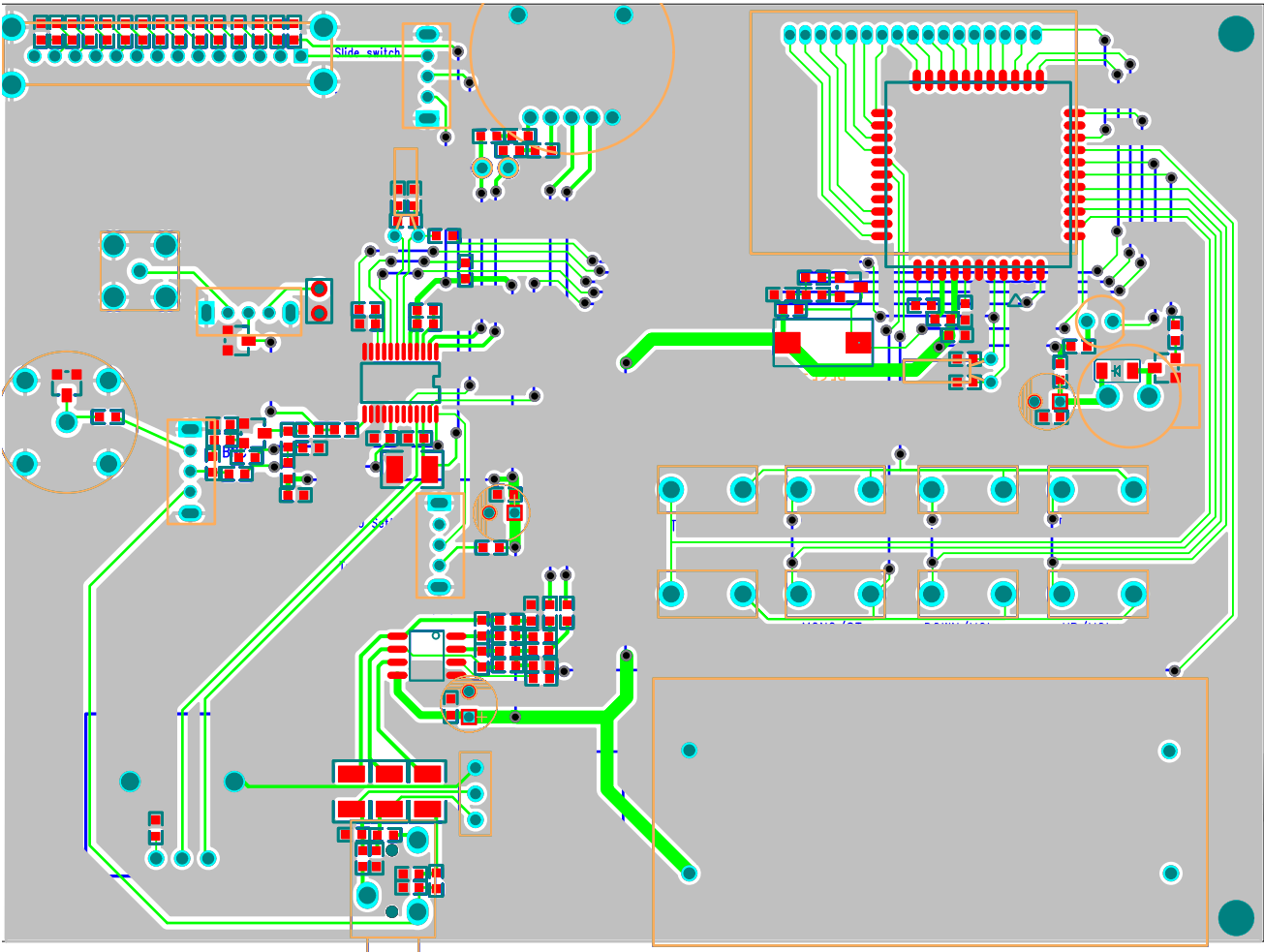
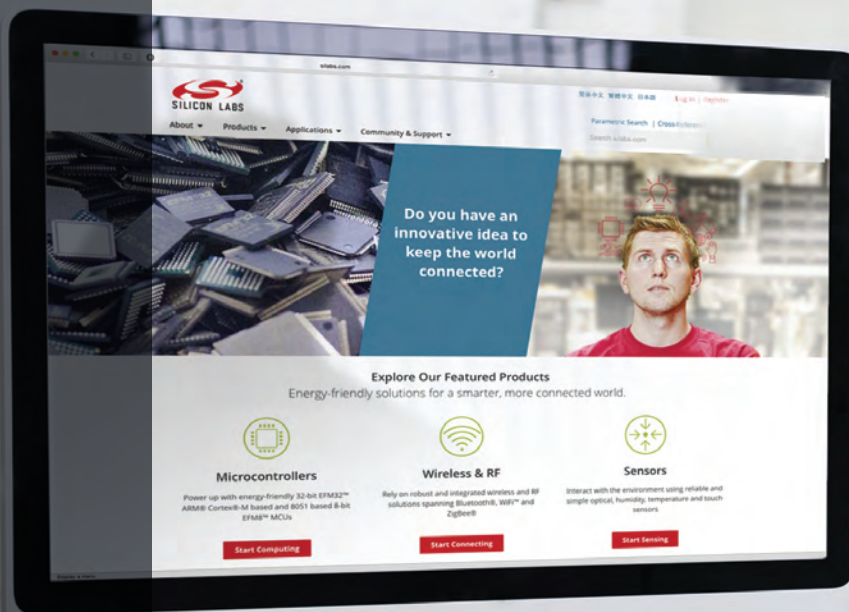


Figure 8. Si4840/44-DEMO Board Gerber Rev 1.3

**NOTES:**



Smart.  
Connected.  
Energy-Friendly



**Products**  
[www.silabs.com/products](http://www.silabs.com/products)



**Quality**  
[www.silabs.com/quality](http://www.silabs.com/quality)



**Support and Community**  
[community.silabs.com](http://community.silabs.com)

#### Disclaimer

Silicon Laboratories intends to provide customers with the latest, accurate, and in-depth documentation of all peripherals and modules available for system and software implementers using or intending to use the Silicon Laboratories products. Characterization data, available modules and peripherals, memory sizes and memory addresses refer to each specific device, and "Typical" parameters provided can and do vary in different applications. Application examples described herein are for illustrative purposes only. Silicon Laboratories reserves the right to make changes without further notice and limitation to product information, specifications, and descriptions herein, and does not give warranties as to the accuracy or completeness of the included information. Silicon Laboratories shall have no liability for the consequences of use of the information supplied herein. This document does not imply or express copyright licenses granted hereunder to design or fabricate any integrated circuits. The products must not be used within any Life Support System without the specific written consent of Silicon Laboratories. A "Life Support System" is any product or system intended to support or sustain life and/or health, which, if it fails, can be reasonably expected to result in significant personal injury or death. Silicon Laboratories products are generally not intended for military applications. Silicon Laboratories products shall under no circumstances be used in weapons of mass destruction including (but not limited to) nuclear, biological or chemical weapons, or missiles capable of delivering such weapons.

#### Trademark Information

Silicon Laboratories Inc., Silicon Laboratories, Silicon Labs, SiLabs and the Silicon Labs logo, CMEMS®, EFM, EFM32, EFR, Energy Micro, Energy Micro logo and combinations thereof, "the world's most energy friendly microcontrollers", Ember®, EZLink®, EZMac®, EZRadio®, EZRadioPRO®, DSPLL®, ISOmodem®, Precision32®, ProSLIC®, SiPHY®, USBXpress® and others are trademarks or registered trademarks of Silicon Laboratories Inc. ARM, CORTEX, Cortex-M3 and THUMB are trademarks or registered trademarks of ARM Holdings. Keil is a registered trademark of ARM Limited. All other products or brand names mentioned herein are trademarks of their respective holders.



Silicon Laboratories Inc.  
400 West Cesar Chavez  
Austin, TX 78701  
USA

<http://www.silabs.com>