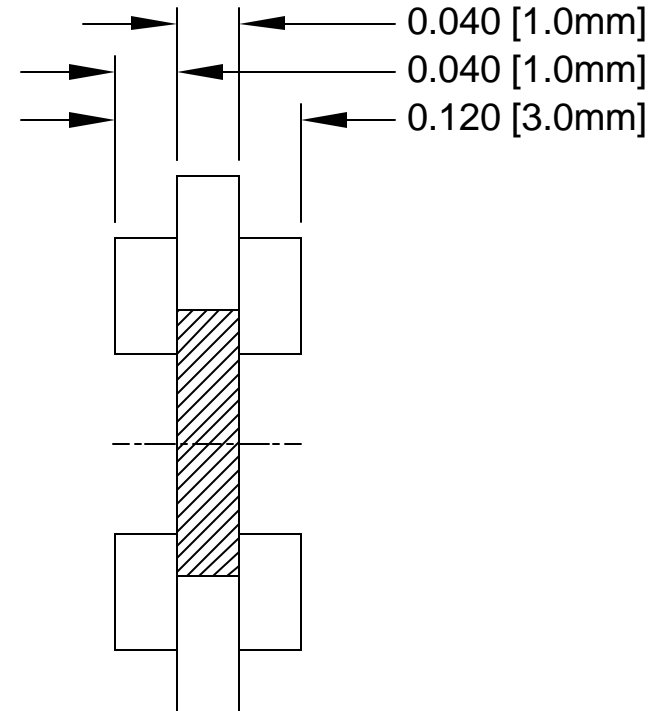
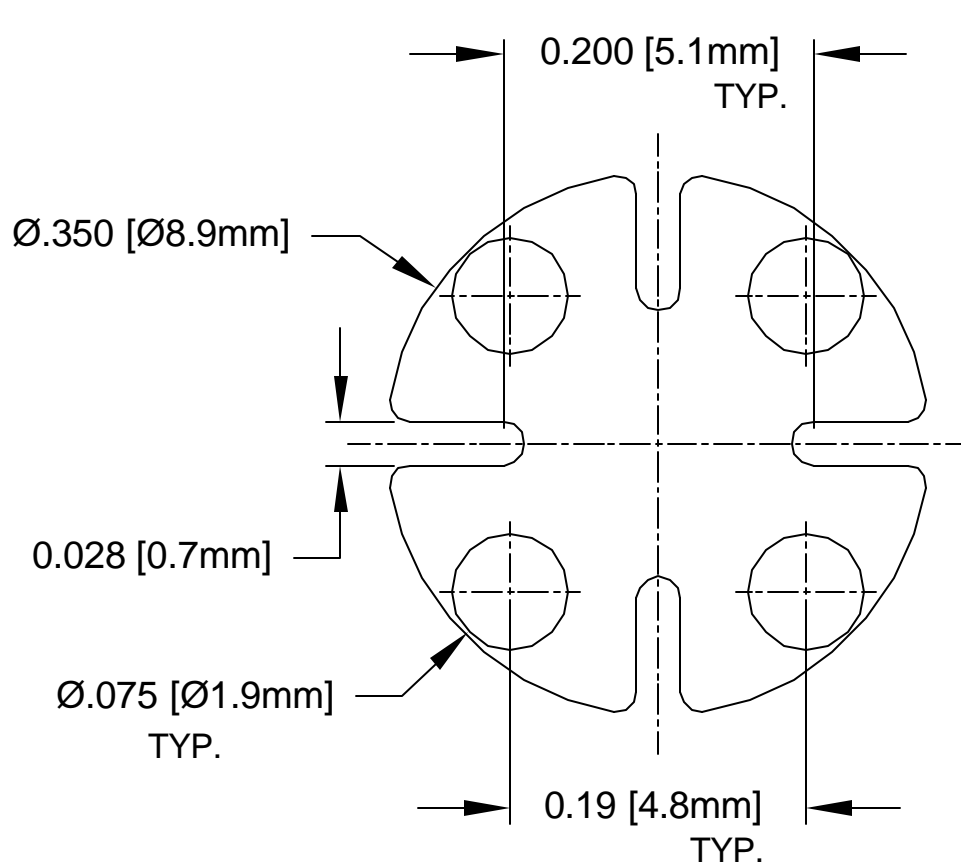


REV.	DESCRIPTION	DATE	APPROVED
A	Engineering Update w/o Changes	04/06/05	M. C.



- 2. MATERIAL: NYLON 6/6, 94V-2, WHITE. BIVAR MATERIAL CODE 04-WE.
BASF ULTRAMID NYLON 6/6 A3K WHITE.
- 1. GENERAL SPECIFICATIONS: BIVAR MOLDED COMPONENT SPECIFICATION BV00-E101.

STANDARD TOLERANCE (UNLESS OTHERWISE SPECIFIED)		BIVAR®	
DECIMALS	ANGULAR	4 THOMAS, IRVINE, CA. 92618 TEL: (949) 951-8808 FAX: (949) 951-3974	
.X ±.1	X° ± 1°	TITLE: PERM-O-PAD TO-5 MOUNT	
.XX ±.01		DESIGNED: Shane Irving	DATE: 12/08/98
.XXX ±.005		CHECKED: D. Green	DATE: 04/06/05
		PART NO: 505-120	REVISION: A
		CAGE CODE : 32559 SHEET # 1 OF 1	
CAD GENERATED DOCUMENT. DO NOT MEASURE DRAWING.			