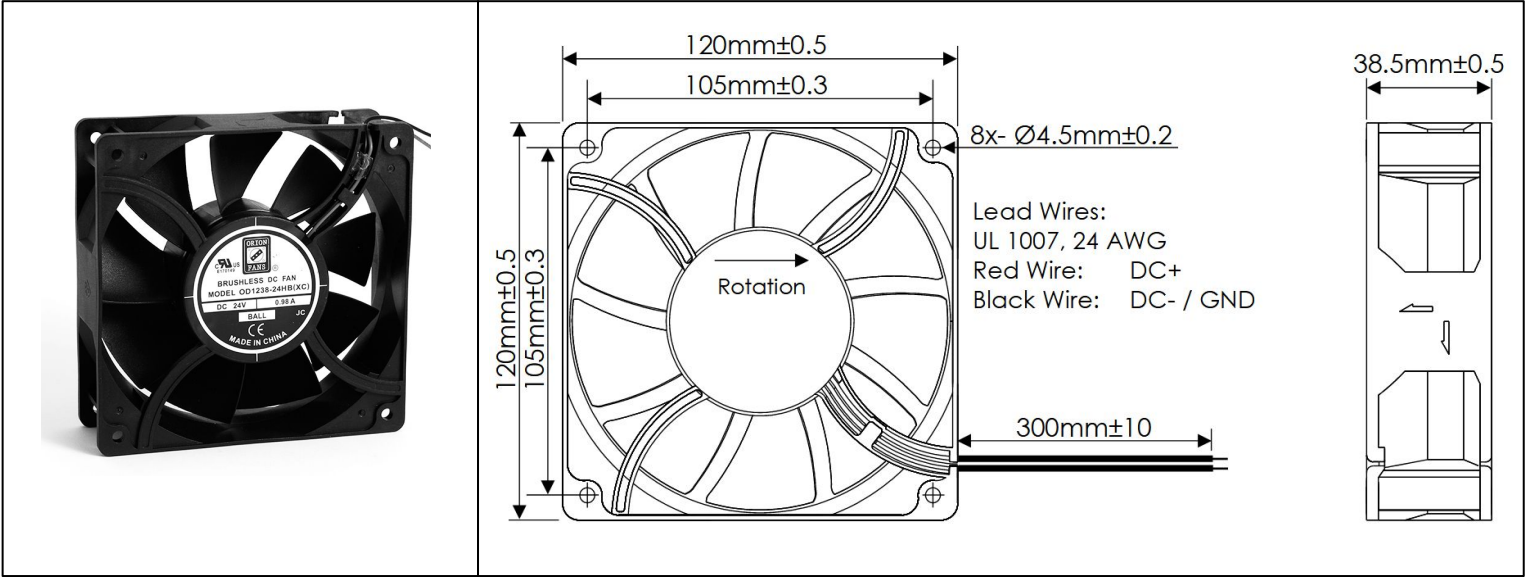


OD1238 XC Series



DC Fans - 12, 24, 48V
120mm x 120mm x 38mm (4.7" x 1.5")



Frame	PBT, UL94 V-0 Plastic	<u>Operating Temperature</u> -10°C ~ +70°C <u>Storage Temperature</u> -40°C ~ +70°C <u>Life Expectancy</u> 70,000 Hours (L10 at 40°C) <u>Available Options</u> PWM & Temp Speed Control Tachometer Output Thermal Speed Control Alarm Output IP Ratings Weight: 0.74 lbs	
Impeller	PBT, UL94 V-0 Plastic		
Connection	2x Leads Wires, 24 AWG		
Motor	Brushless DC, Auto Cutoff, Auto Restart, Electronically Protected, Polarity Protected		
Bearing System	Ball Bearings		
Dielectric Strength	500VDC/min, <1mA		
Insulation Resistance	≥10M Ohm @ 500 VDC		

Part Number	Rated Voltage (Volts DC)	Voltage Range (Volts DC)	Input Power (Watts)	Rated Current (Amps)	Rated Speed (RPM)	Max Airflow (CFM)	Noise Level (dBA)	Max Static Pressure ("H ₂ O)
OD1238-12HBXC	12	10 ~ 13.8	23.40	1.95	4275	185	65.3	0.70
OD1238-12MBXC	12	10 ~ 13.8	18.10	1.50	3750	160	58.0	0.52
OD1238-12LBXC	12	10 ~ 13.8	10.50	0.87	3200	130	54.6	0.40
OD1238-24HBXC	24	16 ~ 26.4	19.30	0.98	4275	185	65.3	0.70
OD1238-24MBXC	24	16 ~ 26.4	16.40	0.68	3750	160	58.0	0.52
OD1238-24LBXC	24	16 ~ 26.4	10.10	0.42	3200	130	54.6	0.40
OD1238-48HBXC	48	30 ~ 52.0	25.00	0.52	4275	185	65.3	0.70
OD1238-48MBXC	48	30 ~ 52.0	17.30	0.36	3750	160	58.0	0.52
OD1238-48LBXC	48	30 ~ 52.0	10.60	0.22	3200	130	54.6	0.40