

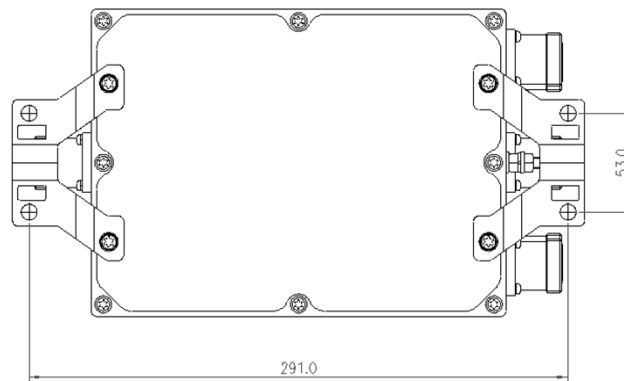
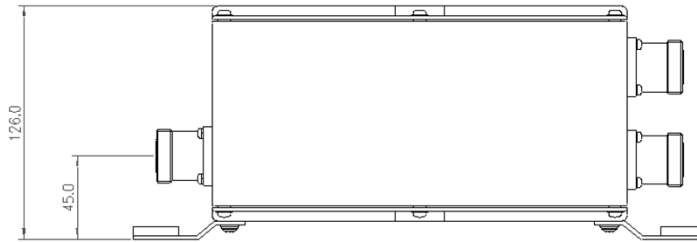
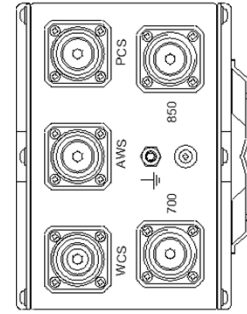
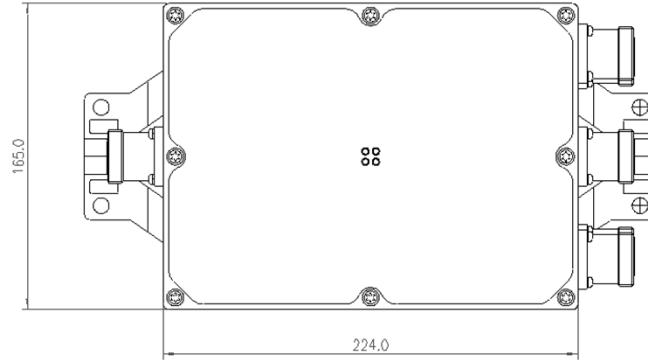
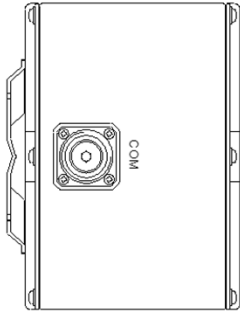
Electrical Specifications

ITEM	SPECIFICATION				
	700	850	PCS	AWS1 & AWS3	WCS
Frequency Range (MHz)	698 ~ 787	817 ~ 896	1850 ~2000	1695~1780 & 2110~2180	2305~2360
Insertion Loss	0.5dB Max				
Ripple	0.3dB Max				
Isolation	50dB Min				
Return Loss	18dB Min				
PIMD	161dBc Min. @ 2x43dBm Input				
Power	100W CW Max per Port/ 3Kw Peak				
DC/AISG	All Ports				
Lightning Protection	±5 kA, 8/20us				
In/Out Impedance	50 Ohms Nominal				

Environmental and Mechanical Specifications

ITEM	SPECIFICATION
Operating Temperature	-30 to +70°C, IP65
Dimension	165.0 x 224.0 x 116.0 Max (unit:mm)
Mounting Points	Refer to Outline Drawing
RF Connector	7/16 DIN Female Connector
Connector Position	See Outline Drawing

Outline Drawing





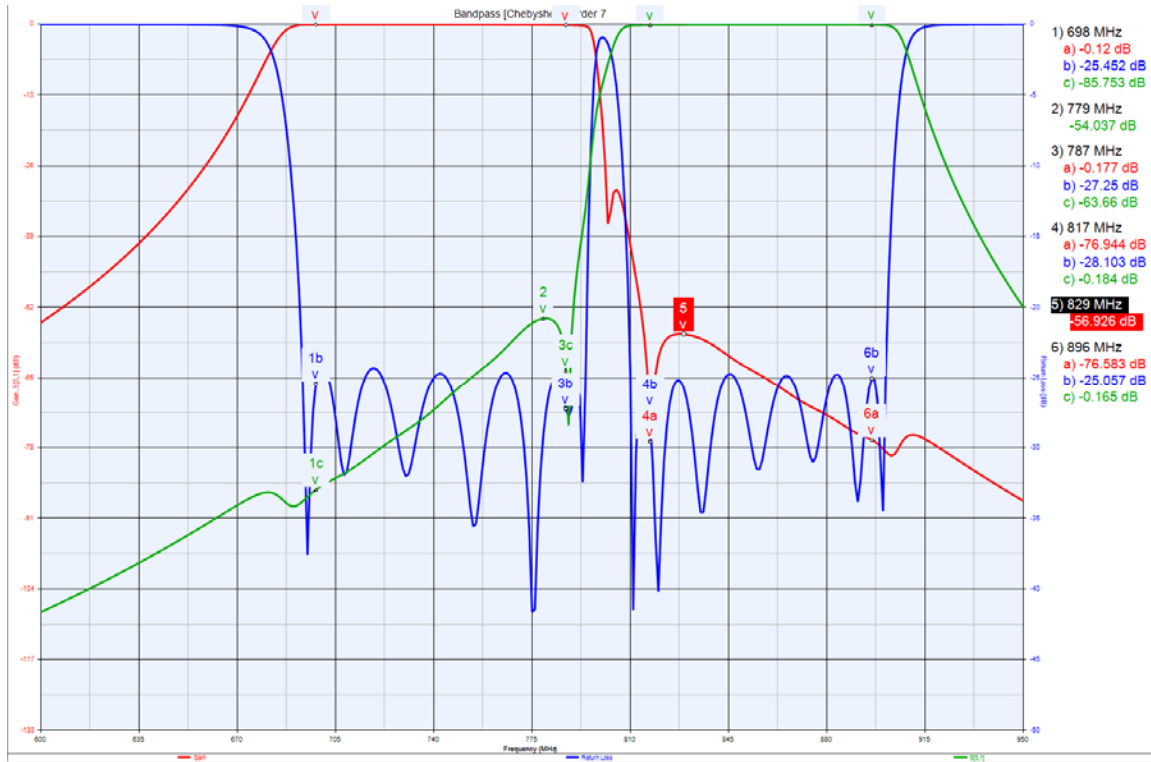
ANATECH ELECTRONICS INC
RF & Microwave Filters & Products

700 / 850 / PCS / AWS1 / AWS3 / WCS Cavity Multiplexer

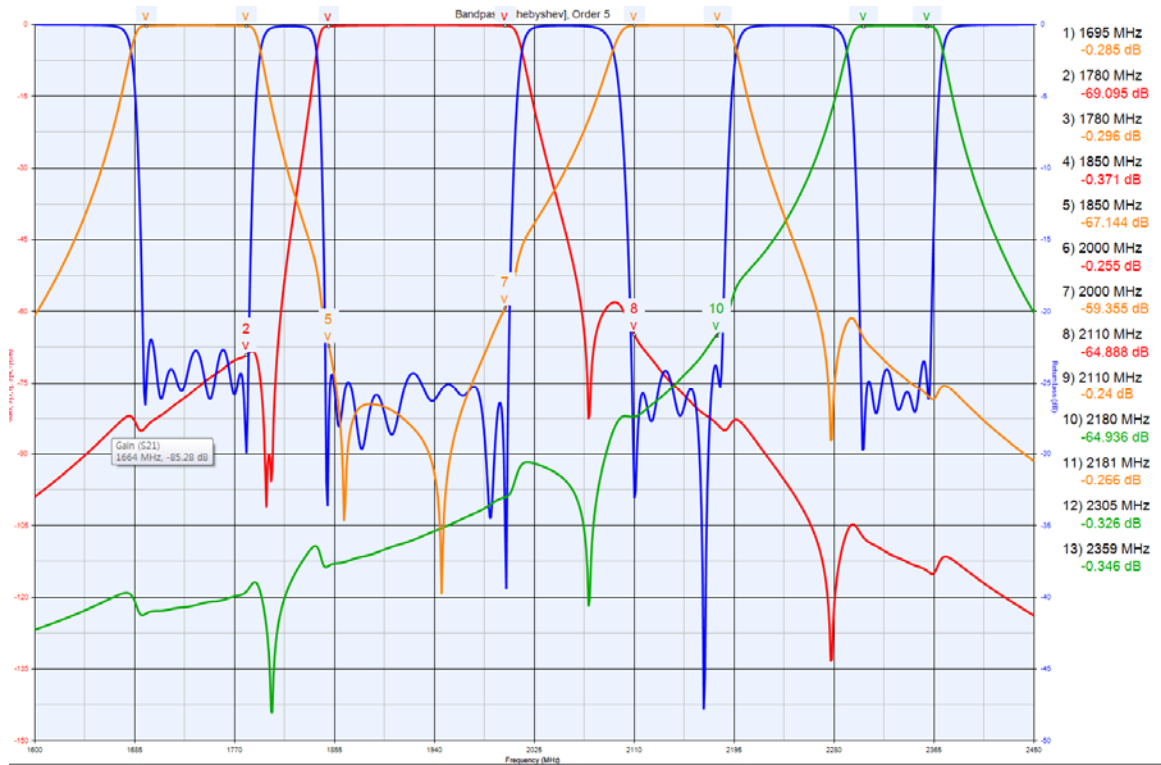


Part Number:
AE700-850-1925-1727-2145-2332MP103

Response Plots



700 MHz / 800 MHz



AWS / PCS / WCS