

Base Plate X 95

- Flexible positioning with slotted holes for perpendicular mounting of profiles onto e.g. optical tables
- Thickness: 10 mm



Base plate X 95 (G026206000)

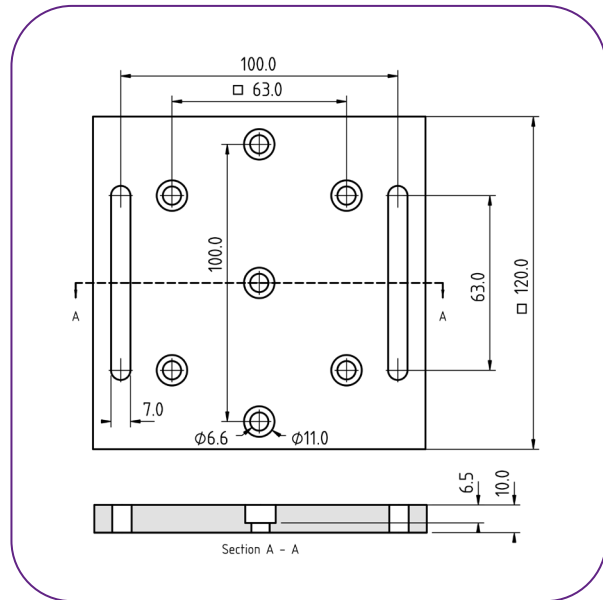
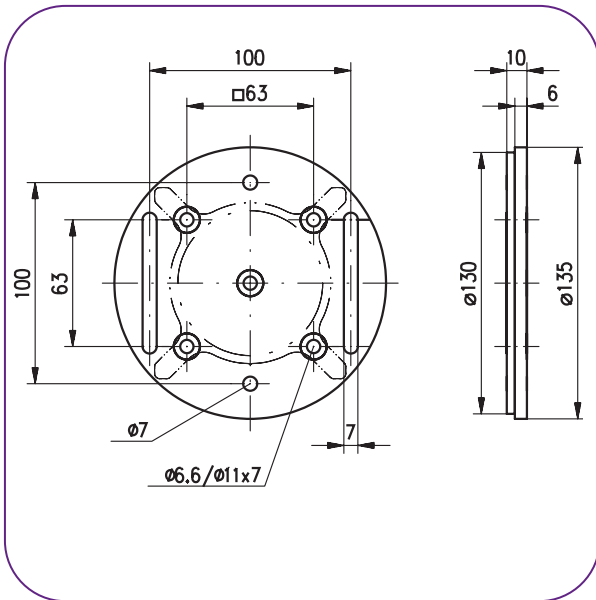
- Colorless anodized aluminum
- Round shape with a diameter of 135 mm
- Easy clamping with Clamps SP4 (Part No. G085922000)

Item Title	Part No.
Base plate X 95	G026206000
Base plate X 95, angular, black anodized	G026205000

Base plate X 95, angular (G026205000)

- Black anodized aluminum
- Quadratic shape with 120 mm x 120 mm

14



Application example

How to mount vertical X 95 profiles on optical tables with the help of the mounting plate can be seen in the application example on page 9.