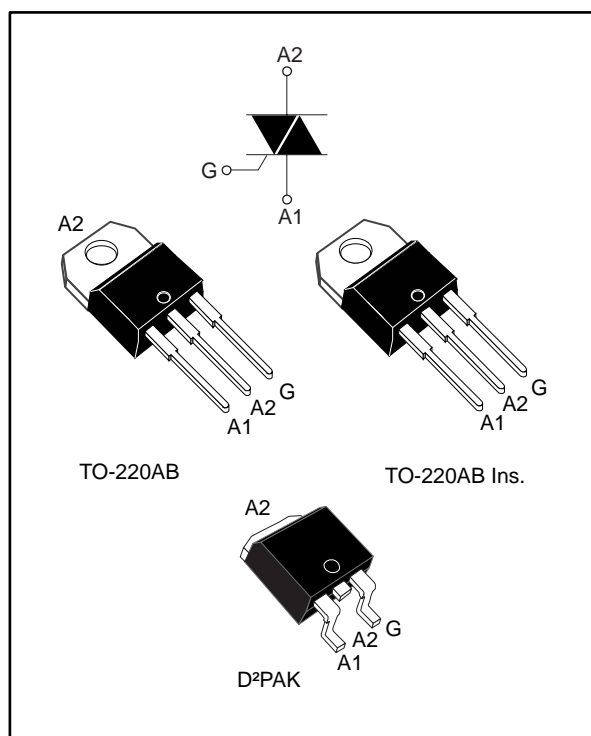


High temperature 8 A Snubberless™ Triacs

Datasheet - production data



Applications

Especially designed to operate in high power density or universal motor applications such as vacuum cleaner and washing machine drum motor, these 8 A Triacs provide a very high switching capability up to 150 °C junction temperatures.

The heatsink can be reduced, compared to traditional Triac, according to the high performance at given junction temperatures.

Description

Available in through-hole or surface mount packages, these Triacs series are suitable for general purpose mains power ac switching.

By using an internal ceramic pad, they provide voltage insulation (rated at 2500 V_{RMS}).

Table 1: Device summary

| Symbol | Value | Unit |
|-------------------|----------|------|
| $I_{T(RMS)}$ | 8 | A |
| V_{DRM}/V_{RRM} | 600 | V |
| I_{GT} | 35 or 50 | mA |

Features

- Medium current Triac
- 150 °C max. T_j turn-off commutation
- Low thermal resistance with clip bonding
- Very high 3 quadrant commutation capability
- Packages are RoHS (2002/95/EC) compliant
- UL certified (ref. file E81734)

1 Characteristics

Table 2: Absolute ratings (limiting values)

| Symbol | Parameter | | | Value | Unit |
|---------------------|--|---------------------------------|------------------------|-------------------------|------------------|
| $I_{T(RMS)}$ | RMS on-state current (full sine wave) | D ² PAK, TO-220AB | $T_C = 133\text{ °C}$ | 8 | A |
| | | TO-220A Ins. | $T_C = 116\text{ °C}$ | | |
| I_{TSM} | Non repetitive surge peak on-state current (full cycle, T_j initial = 25 °C) | f = 50 Hz | $t_p = 20\text{ ms}$ | 80 | A |
| | | f = 60 Hz | $t_p = 16.7\text{ ms}$ | 84 | |
| I^2t | I^2t value for fusing | | $t_p = 10\text{ ms}$ | 42 | A ² s |
| dl/dt | Critical rate of rise of on-state current $I_G = 2 \times I_{GT}$, $t_r \leq 100\text{ ns}$ | f = 50 Hz | $T_j = 150\text{ °C}$ | 50 | A/ μ s |
| V_{DSM} / V_{RSM} | Non repetitive surge peak off-state voltage | $t_p = 10\text{ ms}$ | $T_j = 25\text{ °C}$ | $V_{DRM}/V_{RRM} + 100$ | V |
| I_{GM} | Peak forward gate current | $t_p = 20\text{ }\mu$ s | $T_j = 150\text{ °C}$ | 4 | A |
| $P_{G(AV)}$ | Average gate power dissipation | | $T_j = 150\text{ °C}$ | 1 | W |
| T_{stg} | Storage junction temperature range | | | -40 to +150 | °C |
| T_j | Operating junction temperature range | | | -40 to +150 | °C |

Table 3: Electrical characteristics ($T_j = 25\text{ °C}$ unless otherwise specified)

| Symbol | Test Conditions | Quadrant | | Value | | Unit |
|-------------------|--|-----------------------|------|-------|-------|------------|
| | | | | T835H | T850H | |
| $I_{GT}^{(1)}$ | $V_D = 12\text{ V}$, $R_L = 33\text{ }\Omega$ | I - II - III | Max. | 35 | 50 | mA |
| V_{GT} | | | | 1.0 | | |
| V_{GD} | $V_D = V_{DRM}$, $R_L = 3.3\text{ k}\Omega$ | I - II - III | Min. | 0.15 | | V |
| $I_H^{(2)}$ | $I_T = 500\text{ mA}$ | | Max. | 35 | 75 | mA |
| I_L | $I_G = 1.2 \times I_{GT}$ | I - III | Max. | 50 | 60 | |
| | | II | | 80 | 110 | |
| $dV/dt^{(2)}$ | $V_D = 2/3 \times V_{DRM}$, gate open | $T_j = 150\text{ °C}$ | Min. | 1000 | 1500 | V/ μ s |
| $(dl/dt)_c^{(2)}$ | Without snubber | $T_j = 150\text{ °C}$ | Min. | 11 | 14 | A/ms |

Notes:

⁽¹⁾minimum I_{GT} is guaranteed at 20% of I_{GT} max.

⁽²⁾for both polarities of A2 referenced to A1.

Table 4: Static characteristics

| Symbol | Test conditions | | | Value | Unit |
|---------------------|---|------------------------------------|------|-------|---------------|
| $V_T^{(1)}$ | $I_{TM} = 11 \text{ A}$, $t_p = 380 \mu\text{s}$ | $T_j = 25 \text{ }^\circ\text{C}$ | Max. | 1.5 | V |
| $V_{T0}^{(1)}$ | Threshold voltage | $T_j = 150 \text{ }^\circ\text{C}$ | Max. | 0.80 | V |
| $R_d^{(1)}$ | Dynamic resistance | $T_j = 150 \text{ }^\circ\text{C}$ | Max. | 52 | m Ω |
| I_{DRM} / I_{RRM} | $V_{DRM} = V_{RRM}$ | $T_j = 25 \text{ }^\circ\text{C}$ | Max. | 5 | μA |
| | | $T_j = 150 \text{ }^\circ\text{C}$ | Max. | 3.1 | mA |
| | $V_D/V_R = 400 \text{ V}$ (at peak mains voltage) | $T_j = 150 \text{ }^\circ\text{C}$ | Max. | 2.5 | |
| | $V_D/V_R = 200 \text{ V}$ (at peak mains voltage) | $T_j = 150 \text{ }^\circ\text{C}$ | Max. | 2.0 | |

Notes:

⁽¹⁾for both polarities of A2 referenced to A1

Table 5: Thermal parameters

| Symbol | Parameter | | Value | Unit |
|---------------|---|------------------------------|-------|--------------------|
| $R_{th(j-c)}$ | Junction to case (AC) | D ² PAK, TO-220AB | 1.85 | $^\circ\text{C/W}$ |
| | | TO-220AB Ins. | 3.7 | |
| $R_{th(j-a)}$ | Junction to ambient ($S_{cu} = 1 \text{ cm}^2$, D ² PAK) | D ² PAK | 45 | |
| | Junction to ambient | TO-220AB, TO-220AB Ins. | 60 | |

1.1 Characteristics (curves)



Figure 7: Non-repetitive surge peak on-state current for a sinusoidal pulse



Figure 8: Relative variation of I_{GT}, I_H, I_L vs junction temperature (typical values)



Figure 9: Relative variation of critical rate of decrease of main current $(dl/dt)_c$ versus reapplied $(dV/dt)_c$



Figure 10: Relative variation of critical rate of decrease of main current versus junction temperature

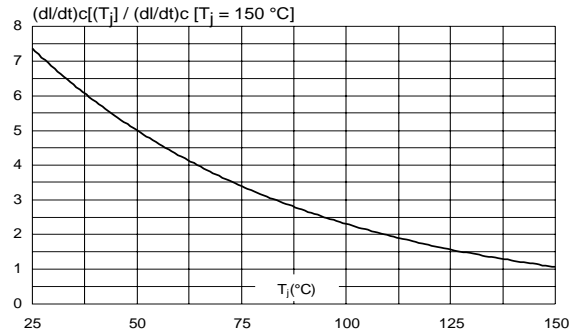


Figure 11: Leakage current versus junction temperature for different values of blocking voltage (typical values)



Figure 12: Variation of thermal resistance junction to ambient versus copper surface under tab



2 Package information

In order to meet environmental requirements, ST offers these devices in different grades of ECOPACK® packages, depending on their level of environmental compliance. ECOPACK® specifications, grade definitions and product status are available at: www.st.com. ECOPACK® is an ST trademark.

- Epoxy meets UL94, V0
- Lead-free package leads
- Cooling method: by conduction (C)

2.1 D²PAK package information

Figure 13: D²PAK package outline

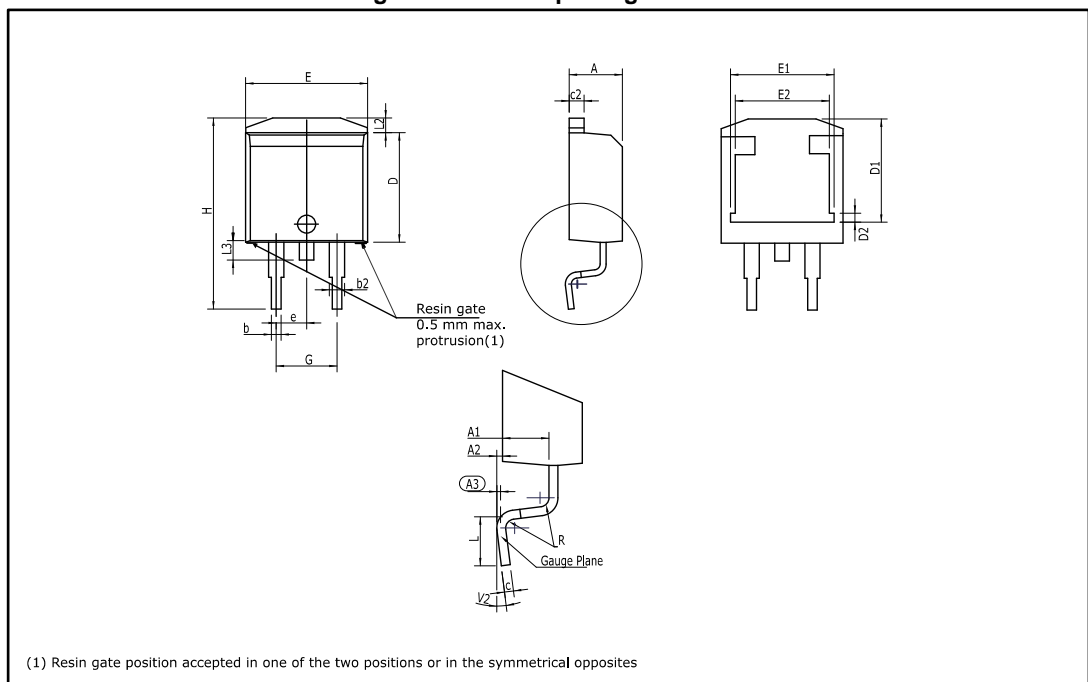


Table 6: D²PAK package mechanical data

| Ref. | Dimensions | | | | | |
|------|-------------|------|-------|-----------------------|--------|--------|
| | Millimeters | | | Inches ⁽¹⁾ | | |
| | Min. | Typ. | Max. | Min. | Typ. | Max. |
| A | 4.30 | | 4.60 | 0.1693 | | 0.1811 |
| A1 | 2.49 | | 2.69 | 0.0980 | | 0.1059 |
| A2 | 0.03 | | 0.23 | 0.0012 | | 0.0091 |
| A3 | | 0.25 | | | 0.0098 | |
| b | 0.70 | | 0.93 | 0.0276 | | 0.0366 |
| b2 | 1.25 | | 1.7 | 0.0492 | | 0.0669 |
| c | 0.45 | | 0.60 | 0.0177 | | 0.0236 |
| c2 | 1.21 | | 1.36 | 0.0476 | | 0.0535 |
| D | 8.95 | | 9.35 | 0.3524 | | 0.3681 |
| D1 | 7.50 | | 8.00 | 0.2953 | | 0.3150 |
| D2 | 1.30 | | 1.70 | 0.0512 | | 0.0669 |
| e | 2.54 | | | 0.1 | | |
| E | 10.00 | | 10.28 | 0.3937 | | 0.4047 |
| E1 | 8.30 | | 8.70 | 0.3268 | | 0.3425 |
| E2 | 6.85 | | 7.25 | 0.2697 | | 0.2854 |
| G | 4.88 | | 5.28 | 0.1921 | | 0.2079 |
| H | 15 | | 15.85 | 0.5906 | | 0.6240 |
| L | 1.78 | | 2.28 | 0.0701 | | 0.0898 |
| L2 | 1.27 | | 1.40 | 0.0500 | | 0.0551 |
| L3 | 1.40 | | 1.75 | 0.0551 | | 0.0689 |
| R | | 0.40 | | | 0.0157 | |
| V2 | 0° | | 8° | 0° | | 8° |

Notes:⁽¹⁾Dimensions in inches are given for reference only

Figure 14: D²PAK recommended footprint (dimensions are in mm)



Table 7: TO-220AB Insulated package mechanical data

| Ref. | Dimensions | | | | | |
|------|-------------|-------|-------|-----------------------|--------|--------|
| | Millimeters | | | Inches ⁽¹⁾ | | |
| | Min. | Typ. | Max. | Min. | Typ. | Max. |
| A | 15.20 | | 15.90 | 0.5984 | | 0.6260 |
| a1 | | 3.75 | | | 0.1476 | |
| a2 | 13.00 | | 14.00 | 0.5118 | | 0.5512 |
| B | 10.00 | | 10.40 | 0.3937 | | 0.4094 |
| b1 | 0.61 | | 0.88 | 0.0240 | | 0.0346 |
| b2 | 1.23 | | 1.32 | 0.0484 | | 0.0520 |
| C | 4.40 | | 4.60 | 0.1732 | | 0.1811 |
| c1 | 0.49 | | 0.70 | 0.0193 | | 0.0276 |
| c2 | 2.40 | | 2.72 | 0.0945 | | 0.1071 |
| e | 2.40 | | 2.70 | 0.0945 | | 0.1063 |
| F | 6.20 | | 6.60 | 0.2441 | | 0.2598 |
| I | 3.73 | | 3.88 | 0.1469 | | 0.1528 |
| L | 2.65 | | 2.95 | 0.1043 | | 0.1161 |
| I2 | 1.14 | | 1.70 | 0.0449 | | 0.0669 |
| I3 | 1.14 | | 1.70 | 0.0449 | | 0.0669 |
| I4 | 15.80 | 16.40 | 16.80 | 0.6220 | 0.6457 | 0.6614 |
| M | | 2.6 | | | 0.1024 | |

Notes:

⁽¹⁾Inch dimensions are for reference only.

3 Ordering information



Table 8: Ordering information

| Order code | Marking | Package | Weight | Base qty. | Delivery mode |
|-------------|----------|--------------------|--------|-----------|---------------|
| T8xxH-6G | T8xxH 6G | D ² PAK | 1.5 g | 50 | Tube |
| T8xxH-6G-TR | T8xxH 6G | D ² PAK | 1.5 g | 1000 | Tape and reel |
| T8xxH-6T | T8xxH 6T | TO-220AB | 2.3 g | 50 | Tube |
| T8xxH-6I | T8xxH 6I | TO-220AB Ins. | 2.3 g | 50 | Tube |

4 Revision history

Table 9: Document revision history

| Date | Revision | Changes |
|-------------|----------|--|
| 17-Apr-2007 | 1 | First issue. |
| 19-Sep-2011 | 2 | Updated: <i>Features, Description, Figure 2, Table 2 and 4.</i> |
| 30-Mar-2017 | 3 | Minor text changes. Updated <i>Table 4: "Static characteristics"</i> and <i>Figure 7: "Non-repetitive surge peak on-state current for a sinusoidal pulse"</i> . |
| 07-Feb-2018 | 4 | Updated <i>Table 2: "Absolute ratings (limiting values)"</i> , <i>Figure 2: "On-state RMS current versus case temperature (full cycle)"</i> and <i>Figure 6: "Surge peak on-state current versus number of cycles"</i> . |

IMPORTANT NOTICE – PLEASE READ CAREFULLY

STMicroelectronics NV and its subsidiaries ("ST") reserve the right to make changes, corrections, enhancements, modifications, and improvements to ST products and/or to this document at any time without notice. Purchasers should obtain the latest relevant information on ST products before placing orders. ST products are sold pursuant to ST's terms and conditions of sale in place at the time of order acknowledgement.

Purchasers are solely responsible for the choice, selection, and use of ST products and ST assumes no liability for application assistance or the design of Purchasers' products.

No license, express or implied, to any intellectual property right is granted by ST herein.

Resale of ST products with provisions different from the information set forth herein shall void any warranty granted by ST for such product.

ST and the ST logo are trademarks of ST. All other product or service names are the property of their respective owners.

Information in this document supersedes and replaces information previously supplied in any prior versions of this document.

© 2018 STMicroelectronics – All rights reserved