

FEATURES:

- TCR as low as $\pm 25\text{ppm}$
- Higher operating frequency with less parasitics
- Noise characteristics superior to standard thick film resistors
- Reference standards of EIA JIS C 5201-1
- Tolerance as low as $\pm 0.1\%$



PART NUMBER STRUCTURE

TFCR Series	1206 Size	8W Power Rating	E TCR	1001 Resistance Value	B Resistance Tolerance	T Packaging	M Optional Reel Identifier
0201	32W = 0.03W	E = $\pm 25\text{ppm}/^\circ\text{C}$	1001 = $1\text{K}\Omega$	B = $\pm 0.1\%$	T = Tape & Reel	Leave blank for standard quantity.	
0402	20W = 0.05W	C = $\pm 50\text{ppm}/^\circ\text{C}$	4 digit code e.g. 4R70 = 4.7Ω	C = $\pm 0.25\%$		Add "-1K" if 1000 piece reel is required	
0603	16W = 0.063W	K = $\pm 100\text{ppm}/^\circ\text{C}$	1001 = $1\text{K}\Omega$	D = $\pm 0.50\%$			
0805	10W = 0.10W		2494 = $2.49\text{M}\Omega$	F = $\pm 1\%$			
1206	8W = 0.125W						
1210	4W = 0.25W						
2010	2W = 0.50W						
2512							

Example P/N: TFCR1206-8W-E-1001BT

Standard Termination is 100% matte Tin over Nickel.

DIMENSIONS

Unit: inches (mm)

SIZE	L	W	T	l1	l2
0201	0.023 ± 0.001 (0.60 \pm 0.03)	0.011 ± 0.001 (0.30 \pm 0.03)	0.009 ± 0.001 (0.23 \pm 0.03)	0.006 ± 0.002 (0.15 \pm 0.05)	0.006 ± 0.002 (0.15 \pm 0.05)
0402	0.040 ± 0.002 (1.0 \pm 0.05)	0.019 ± 0.002 (0.5 \pm 0.05)	0.012 ± 0.002 (0.30 \pm 0.05)	0.008 ± 0.004 (0.2 \pm 0.10)	0.008 ± 0.004 (0.2 \pm 0.10)
0603	0.061 ± 0.004 (1.55 \pm 0.10)	0.031 ± 0.004 (0.8 \pm 0.1)	0.018 ± 0.004 (0.45 \pm 0.10)	0.012 ± 0.008 (0.30 \pm 0.20)	0.012 ± 0.008 (0.30 \pm 0.20)
0805	0.079 ± 0.006 (2.0 \pm 0.15)	0.049 ± 0.006 (1.25 \pm 0.15)	0.022 ± 0.004 (0.55 \pm 0.10)	0.012 ± 0.008 (0.30 \pm 0.20)	0.016 ± 0.010 (0.40 \pm 0.25)
1206	0.120 ± 0.006 (3.05 \pm 0.15)	0.061 ± 0.006 (1.55 \pm 0.15)	0.022 ± 0.004 (0.55 \pm 0.10)	0.017 ± 0.008 (0.42 \pm 0.20)	0.014 ± 0.010 (0.35 \pm 0.25)
1210	0.122 ± 0.006 (3.10 \pm 0.15)	0.094 ± 0.006 (2.40 \pm 0.15)	0.022 ± 0.004 (0.55 \pm 0.10)	0.016 ± 0.008 (0.40 \pm 0.20)	0.022 ± 0.010 (0.55 \pm 0.25)
2010	0.193 ± 0.006 (4.90 \pm 0.15)	0.094 ± 0.006 (2.40 \pm 0.15)	0.022 ± 0.004 (0.55 \pm 0.10)	0.024 ± 0.012 (0.60 \pm 0.30)	0.020 ± 0.010 (0.50 \pm 0.25)
2512	0.248 ± 0.006 (6.30 \pm 0.15)	0.122 ± 0.006 (3.10 \pm 0.15)	0.022 ± 0.004 (0.55 \pm 0.10)	0.024 ± 0.012 (0.60 \pm 0.30)	0.020 ± 0.010 (0.50 \pm 0.25)

STRUCTURE

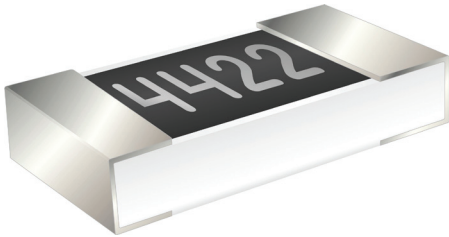
1	Alumina Substrate	5	Nickel Plating
2	Backside Electrode	6	Tin Plating
3	Top Electrode	7	Resistive layer
4	Edge Electrode	8	Overcoat

ELECTRICAL SPECIFICATION & RANGE

SIZE	0201		0402	0603		0805		1206		1210	2010	2512	
Power Rating at 70°C (W)	0.03W (1/32W)	0.05W (1/20W)	0.063W (1/16W)	0.063W (1/16W)	0.10W (1/10W)	0.10W (1/10W)	0.125W (1/8W)	0.125W (1/8W)	0.25W (1/4W)	0.25W (1/4W)	0.25W (1/4W)	0.50W (1/2W)	
Max. Working Voltage	15V		25V	50V		100V		150V		150V	150V	150V	
Max. Overload Voltage	30V		50V	100V		200V		300V		300V	300V	300V	
Operating Temp. Range	-55°C to +125°C		-55°C to +155°C	-55°C to +155°C		-55°C to +155°C		-55°C to +155°C		-55°C to +155°C	-55°C to +155°C	-55°C to +155°C	
Tolerance	TCR	Resistance Range		Resistance Range	Resistance Range		Resistance Range		Resistance Range	Resistance Range	Resistance Range	Resistance Range	
±0.1% (B)	±25ppm	22Ω - 75KΩ	22Ω - 75KΩ	10Ω - 511KΩ	4.7Ω - 1MΩ		4.7Ω - 2MΩ	4.7Ω - 1MΩ	4.7Ω - 2.49MΩ	4.7Ω - 1MΩ	4.7Ω - 2.49MΩ	4.7Ω - 3MΩ	4.7Ω - 3MΩ
	±50ppm	22Ω - 75KΩ	22Ω - 75KΩ	10Ω - 511KΩ	4.7Ω - 1MΩ		4.7Ω - 2MΩ	4.7Ω - 1MΩ	4.7Ω - 2.49MΩ	4.7Ω - 1MΩ	4.7Ω - 2.49MΩ	4.7Ω - 3MΩ	4.7Ω - 3MΩ
	±100ppm	22Ω - 75KΩ	22Ω - 75KΩ	10Ω - 511KΩ	4.7Ω - 1MΩ		4.7Ω - 2MΩ	4.7Ω - 1MΩ	4.7Ω - 2.49MΩ	4.7Ω - 1MΩ	4.7Ω - 2.49MΩ	4.7Ω - 3MΩ	4.7Ω - 3MΩ
±0.25% (C)	±25ppm	22Ω - 75KΩ	22Ω - 75KΩ	4.7Ω - 511KΩ	1Ω - 1MΩ	4.7Ω - 1MΩ	1Ω - 2MΩ	1Ω - 1MΩ	1Ω - 2.49MΩ	4.7Ω - 1MΩ	1Ω - 2.49MΩ	1Ω - 3MΩ	1Ω - 3MΩ
	±50ppm	22Ω - 75KΩ	22Ω - 75KΩ	4.7Ω - 511KΩ	1Ω - 1MΩ	4.7Ω - 1MΩ	1Ω - 2MΩ	1Ω - 1MΩ	1Ω - 2.49MΩ	4.7Ω - 1MΩ	1Ω - 2.49MΩ	1Ω - 3MΩ	1Ω - 3MΩ
	±100ppm	22Ω - 75KΩ	22Ω - 75KΩ	4.7Ω - 511KΩ	1Ω - 1MΩ	4.7Ω - 1MΩ	1Ω - 2MΩ	1Ω - 1MΩ	1Ω - 2.49MΩ	4.7Ω - 1MΩ	1Ω - 2.49MΩ	1Ω - 3MΩ	1Ω - 3MΩ
±0.5% (D)	±25ppm	22Ω - 75KΩ	22Ω - 75KΩ	4.7Ω - 511KΩ	1Ω - 1MΩ	4.7Ω - 1MΩ	1Ω - 2MΩ	1Ω - 1MΩ	1Ω - 2.49MΩ	4.7Ω - 1MΩ	1Ω - 2.49MΩ	1Ω - 3MΩ	1Ω - 3MΩ
	±50ppm	22Ω - 75KΩ	22Ω - 75KΩ	4.7Ω - 511KΩ	1Ω - 1MΩ	4.7Ω - 1MΩ	1Ω - 2MΩ	1Ω - 1MΩ	1Ω - 2.49MΩ	4.7Ω - 1MΩ	1Ω - 2.49MΩ	1Ω - 3MΩ	1Ω - 3MΩ
	±100ppm	22Ω - 75KΩ	22Ω - 75KΩ	4.7Ω - 511KΩ	1Ω - 1MΩ	4.7Ω - 1MΩ	1Ω - 2MΩ	1Ω - 1MΩ	1Ω - 2.49MΩ	4.7Ω - 1MΩ	1Ω - 2.49MΩ	1Ω - 3MΩ	1Ω - 3MΩ
±1% (F)	±25ppm	22Ω - 75KΩ	22Ω - 75KΩ	4.7Ω - 511KΩ	1Ω - 1MΩ	4.7Ω - 1MΩ	1Ω - 2MΩ	1Ω - 1MΩ	1Ω - 2.49MΩ	4.7Ω - 1MΩ	1Ω - 2.49MΩ	1Ω - 3MΩ	1Ω - 3MΩ
	±50ppm	22Ω - 75KΩ	22Ω - 75KΩ	4.7Ω - 511KΩ	1Ω - 1MΩ	4.7Ω - 1MΩ	1Ω - 2MΩ	1Ω - 1MΩ	1Ω - 2.49MΩ	4.7Ω - 1MΩ	1Ω - 2.49MΩ	1Ω - 3MΩ	1Ω - 3MΩ
	±100ppm	22Ω - 75KΩ	22Ω - 75KΩ	4.7Ω - 511KΩ	1Ω - 1MΩ	4.7Ω - 1MΩ	1Ω - 2MΩ	1Ω - 1MΩ	1Ω - 2.49MΩ	4.7Ω - 1MΩ	1Ω - 2.49MΩ	1Ω - 3MΩ	1Ω - 3MΩ

NOTE: Max Working Voltage is listed above or $\sqrt{P \cdot R}$, whichever is lower. Max overload Voltage is listed above or $2.5 \cdot \sqrt{P \cdot R}$, whichever is lower.

MARKING CODE

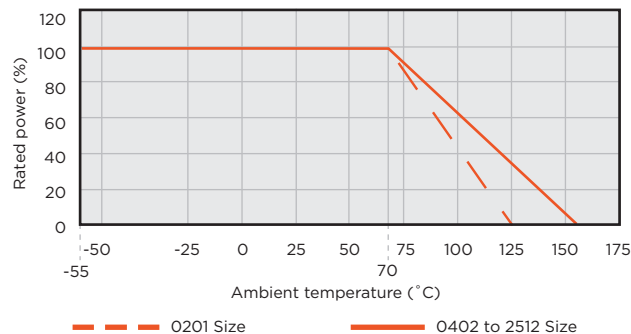


- E-24 values for 0603 size maybe marked with the standard 3 digit marking code.
- E-96 values for 0805 size and larger, will be marked with standard 4 digit marking code.
- E-24 values for 0603 size and larger, will be marked with standard 3 digit marking code.
- 0603 - E-96 values will be marked with a standard 3 digit alpha numeric code

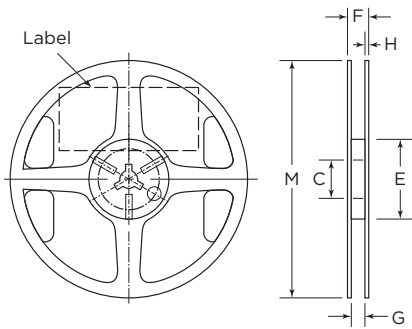
Please see 0603 marking codes PDF.

Note: 0201 and 0402 cannot be marked.

DERATING CURVE



REEL SPECIFICATIONS

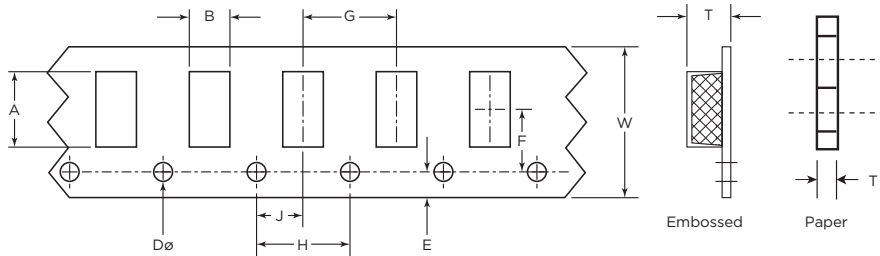


Unit: mm (inch)

C	E	F	G	H	M
13.0 ± 0.2 (0.51 ± 0.008)	60.0 ± 1.0 (2.36 ± 0.03)	11.4 ± 1.0 (0.45 ± 0.04)	9.0 ± .3 (0.35 ± 0.012)	1.5 ± .3 (0.06 ± 0.012)	180 ± 2.0 (7.09 ± 0.08)

Minimum of 30 empty pockets at the beginning of reel, 65 minimum empty pockets at the end.

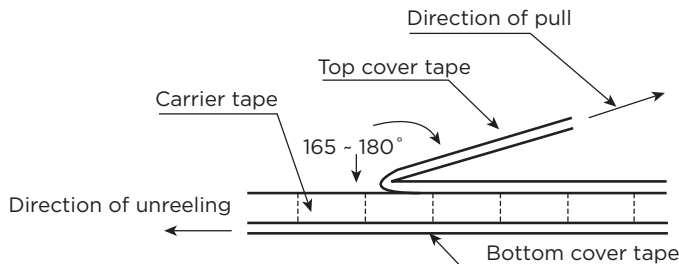
TAPE SPECIFICATIONS



Units: mm

TAPE	SIZE (in)	A	B	W	E	F	T	G	H	J	Dø
Paper	0201	0.70±0.05	0.40±0.05	8.0±0.10	1.75±0.05	3.50±0.05	0.42±0.02	2.00±0.05	4.00±0.10	2.00±0.05	1.55±0.03
	0402	1.16±0.10	0.70±0.10	8.0±0.10	1.75±0.05	3.50±0.05	0.40±0.03	2.00±0.05	4.00±0.10	2.00±0.05	1.55±0.05
	0603	1.90±0.10	1.10±0.05	8.0±0.10	1.75±0.05	3.50±0.05	0.60±0.03	4.00±0.10	4.00±0.10	2.00±0.05	1.55±0.05
	0805	2.37±0.20	1.60±0.05	8.0±0.10	1.75±0.05	3.50±0.05	0.75±0.05	4.00±0.10	4.00±0.10	2.00±0.05	1.55±0.05
	1206	3.55±0.05	2.00±0.05	8.0±0.10	1.75±0.05	3.50±0.05	0.75±0.05	4.00±0.10	4.00±0.10	2.00±0.05	1.55±0.05
	1210	3.40±0.05	2.75±0.05	8.0±0.10	1.75±0.05	3.50±0.05	0.75±0.05	4.00±0.10	4.00±0.10	2.00±0.05	1.60±0.10
Embossed	2010	5.45±0.10	2.85±0.10	12.00±0.10	1.75±0.10	5.50±0.05	1.00 +0.20, -0	4.00±0.10	4.00±0.10	2.00±0.05	1.50 +0.1, -0
	2512	6.65±0.10	3.40±0.10	12.00±0.10	1.75±0.10	5.50±0.05	1.00 +0.20, -0	4.00±0.10	4.00±0.10	2.00±0.05	1.50 +0.1, -0

PEEL BACK FORCE AND DIRECTION DIAGRAM



Peel back force and direction of peel back angle should follow EIA481-1-A. Peel back force should be between 0.1N - 1.3N and peel back angle of 165° - 180°.

ENVIRONMENTAL CHARACTERISTICS

TEST	REQUIREMENT		TEST METHOD
	Tol. ≤0.05%	Tol. >0.05%	
Temperature Coefficient of Resistance (T.C.R.)	As Specified.		MIL-STD-202 Method 304 +25/-55/+125/+25°C
Short Time Overload	ΔR±0.05 %	ΔR±0.2%	JIS-C-5201-1 4.13 RCWV*2.5 or Max. Overload Voltage whichever is lower for 5 seconds
	ΔR±0.02% for high power rating		
Insulation Resistance	>9999MΩ		MIL-STD-202 Method 302 Apply 100VDC for 1 minute
Endurance	ΔR±0.05%	ΔR±0.2%	MIL-STD-202 Method 108A 70±2°C RCWV for 1000 hrs with 1.5 hrs "ON" and 0.5 hrs "OFF"
	0201: ΔR≤(±1%+0.05Ω)		
Damp Heat with Load	ΔR±0.05%	ΔR±0.3%	MIL-STD-202 Method 103B 40±2°C 90-95% R.H. RCWV for 1000 hrs with 1.5 hrs "ON" and 0.5 hrs "OFF"
	ΔR±0.5% for high power rating		
Bending Strength	ΔR±0.05%	ΔR±0.1%	JIS-C-5201-1 4.33 Bending amplitude 3mm for 10 seconds 2010 / 2512 sizes: 2mm Other sizes: 3mm
Solderability	95% min. coverage		MIL-STD-202 Method 208H 245±5°C for 3 seconds
Resistance to Soldering Heat	ΔR±0.05%	ΔR±0.1%	MIL-STD-202 Method 210E 260±5°C for 10 seconds
Dielectric Withstanding Voltage	By Type		MIL-STD-202 Method 301 Max. Overload Voltage for 1 minute
Low Temperature Operation	ΔR±0.05%	ΔR±0.2%	JIS-C-5201-1 4.36 1 hour, -65°C, followed by 45 minutes of RCWV
	ΔR±0.5% for high power rating		
High Temperature Exposure	ΔR±0.5%		MIL-STD-202 Method 108 at +155°C for 1000 hrs

RCWV (Rated continuous working voltage) = $\sqrt{P \cdot R}$ or Max operating voltage whichever is lower

Storage Temperature: 25±3°C; Humidity <80% RH