



**ANATECH ELECTRONICS INC**  
RF & Microwave Filters & Products

# 446.25-456.25 MHz / 470.475-480.475 MHz Cavity Duplexer

**Part Number: AD451-475D396**

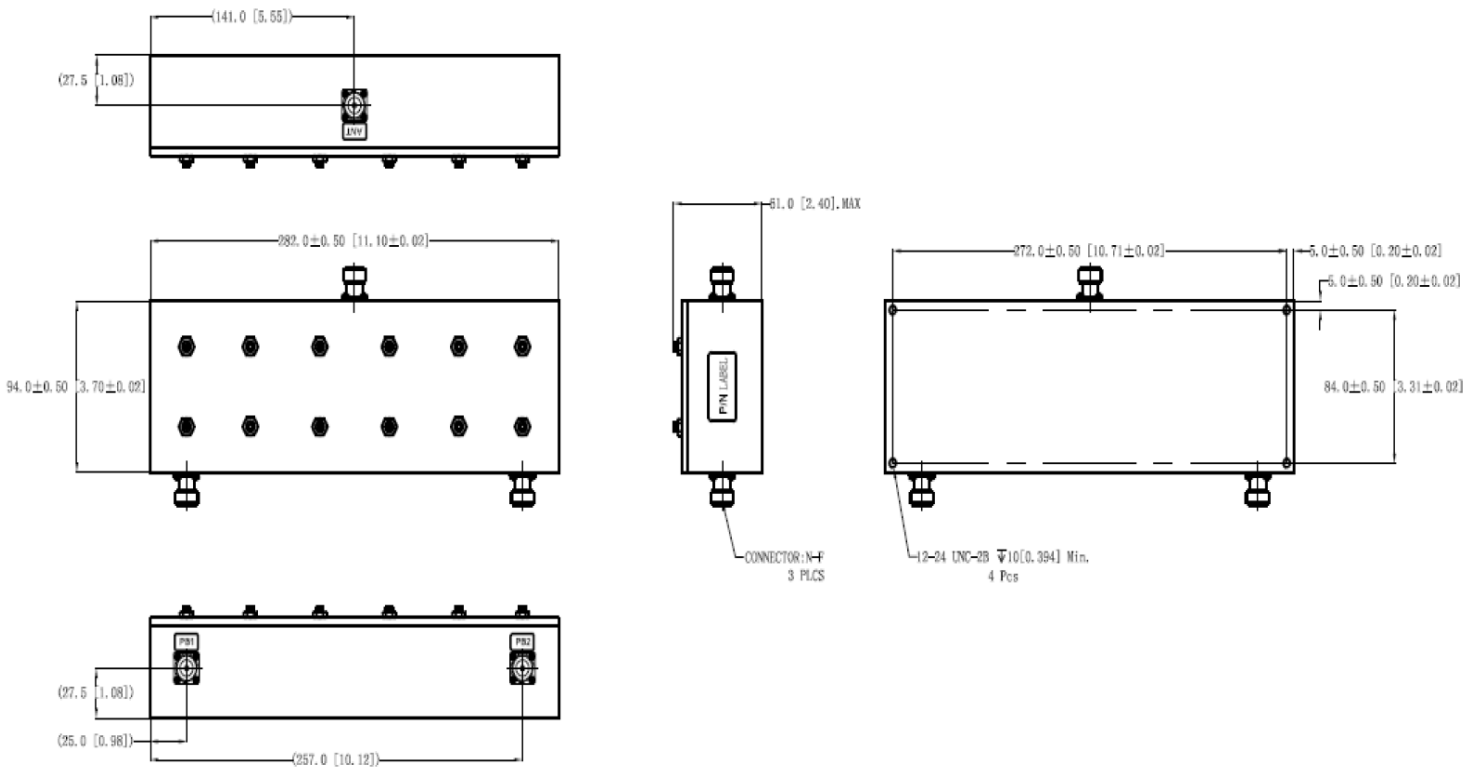


Characteristics	Band 1 (Rx)	Band 2 (Tx)
Passband frequency:	446.25-456.25 MHz	470.745-480.475 MHz
Insertion loss in bands:	=/<1 dB	=/<1 dB
Isolation between bands:	60 dB	60 dB

Mechanical	
Mounting Method:	Threaded Mounting Holes
Connector Type:	N-Type (F)
Dimensions:	11.10" x 3.70" x 2.40" in

Environmental	
Operating Temperature:	-40 to +70 deg.C
Storage Temperature:	-50 to +90 deg.C

## Outline Drawing:





**ANATECH ELECTRONICS INC**  
RF & Microwave Filters & Products

**446.25-456.25 MHz / 470.475-480.475  
MHz Cavity Duplexer**

**Part Number: AD451-475D396**



**Plots:**

