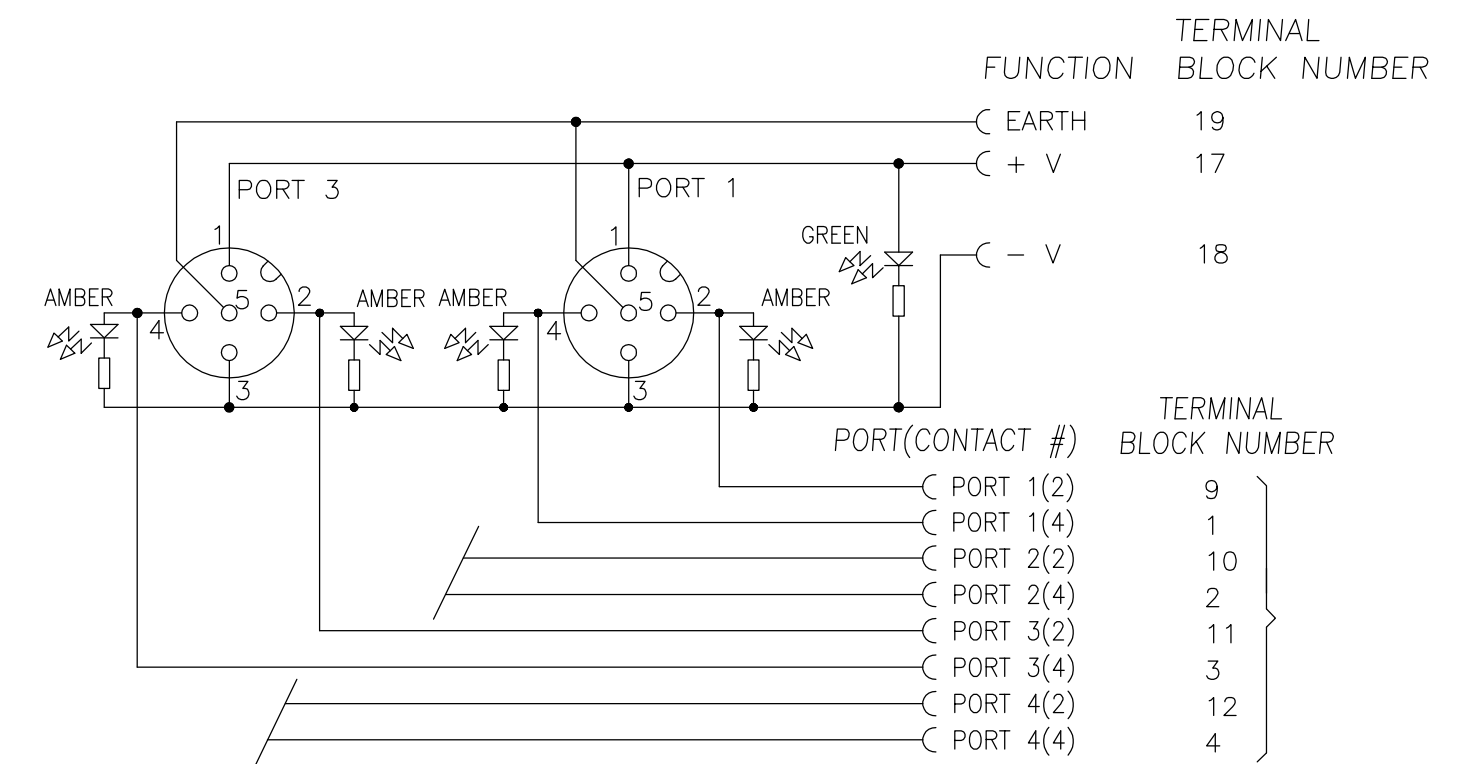
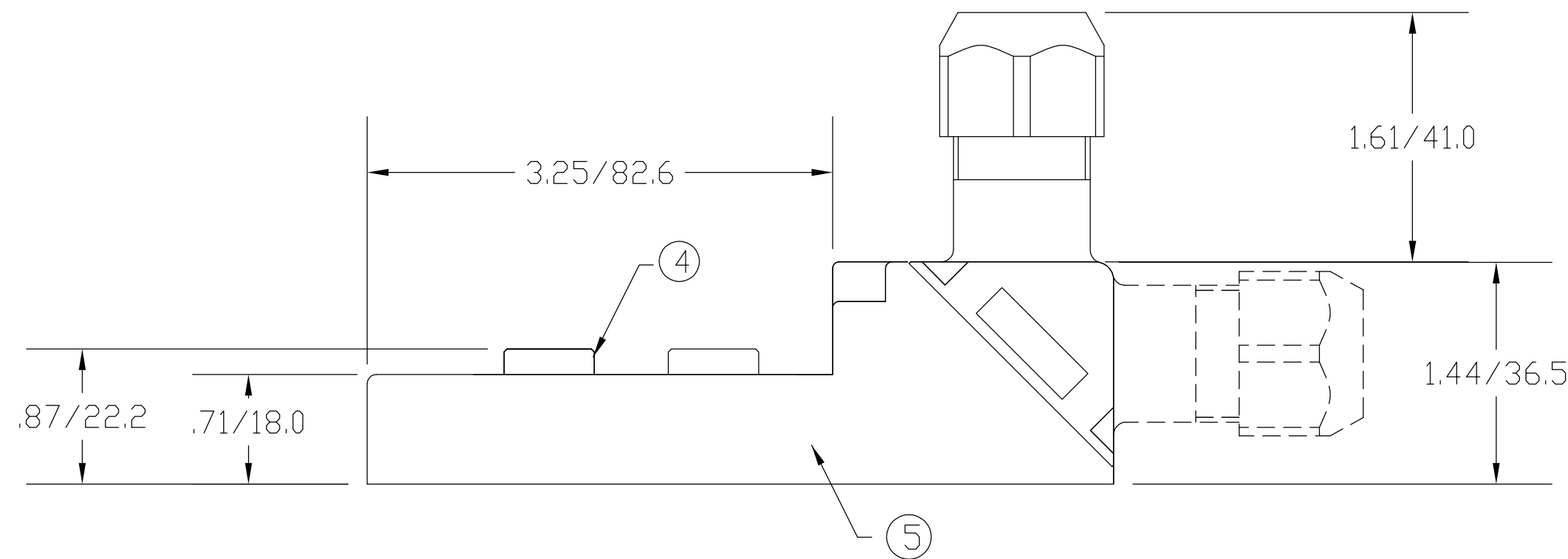
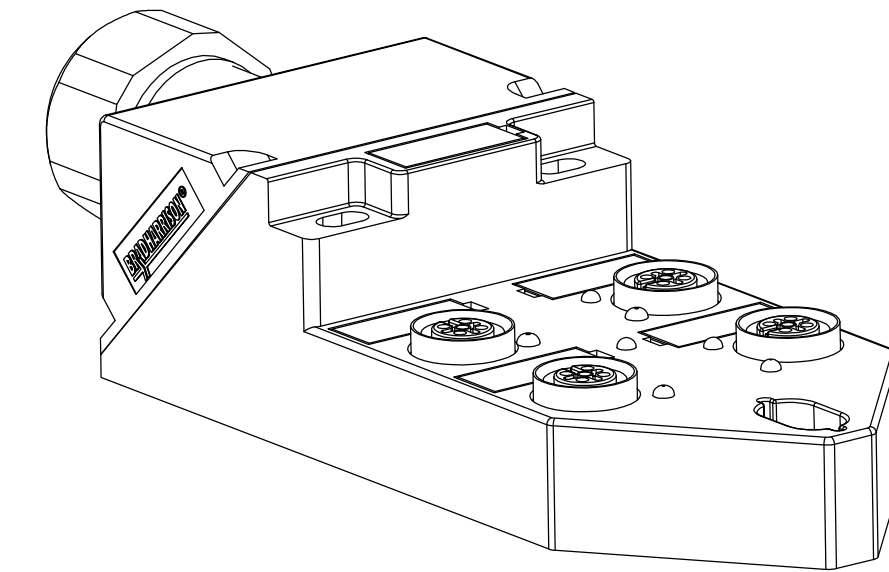
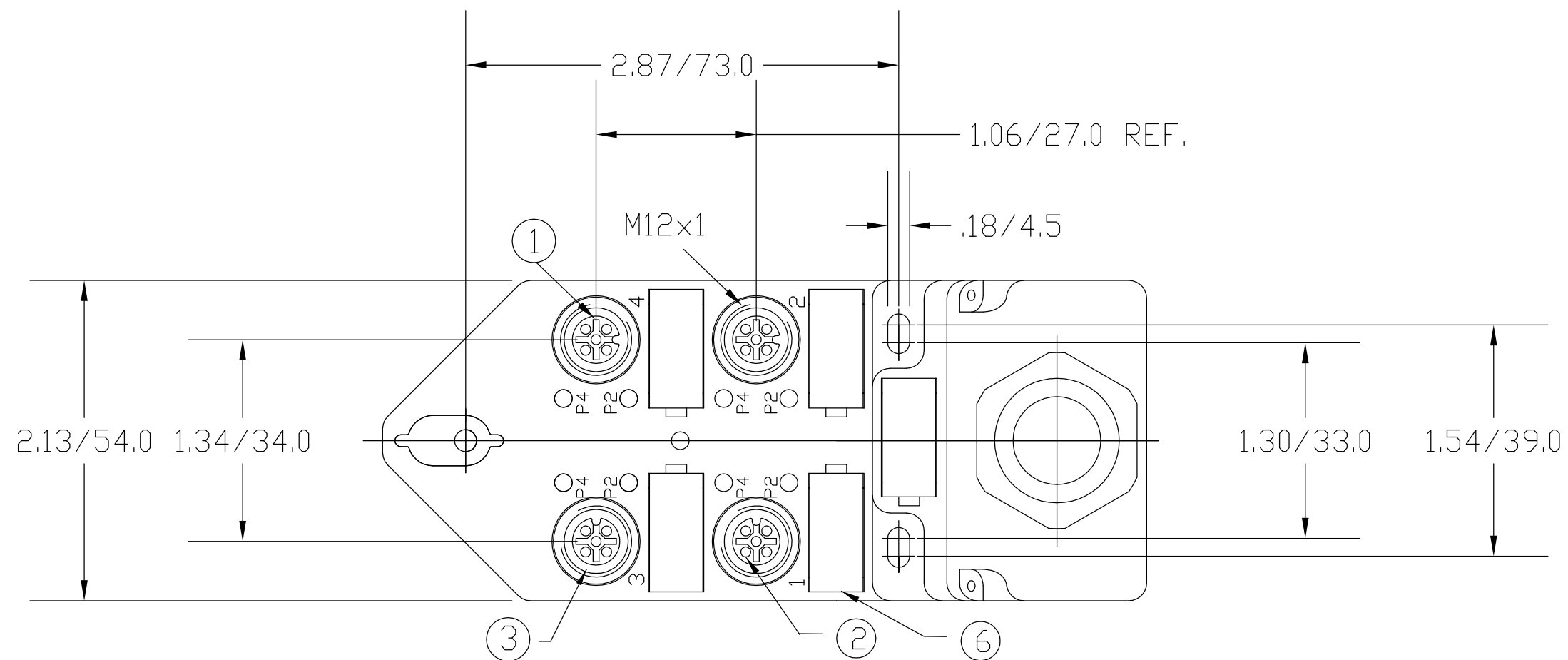


MATERIAL NUMBER	OLD PART NUMBER
120114-0029	BTY403P-FBA



WIRING DIAGRAM

VOLTAGE RATING	10-30 VDC
AMPERAGE RATING PER PORT	4 AMPS
PROTECTION	IP67
OPERATING TEMPERATURE	-20°C TO 90°C

ITEM	COMPONENT	MATERIAL	FINISH
1	INSERT	PBT	YELLOW
2	CONTACT SOCKET	COPPER ALLOY	GOLD OVER NICKEL
3	O-RING	VITON	RED
4	RECEPTACLE SHELL	BRASS	NICKEL PLATED
5	HOUSING	PBT	YELLOW
6	LABEL	ABS	WHITE

RLSO DRAWING EC NO: WNA2009-0659 DRWN: BWOODMAN 4/3/09 CH'KD: JM APPR: JFMURPHY 2009/04/17	QUALITY SYMBOL	DESCRIPTION
	▽=0	
	∇=0	
	REV	

GENERAL TOLERANCES (UNLESS SPECIFIED)	
	mm INCH
4 PLACES	±.004 ±.0015
3 PLACES	±.005 ±.002
2 PLACES	±.007 ±.0025
1 PLACE	±.010 ±.003
ANGULAR ±.004°	
DRAFT WHERE APPLICABLE MUST REMAIN WITHIN DIMENSIONS	

DRAWN BY	DATE
BW	2009/04/03
CHECKED BY	DATE
TW	2009/04/03
APPROVED BY	DATE
MATERIAL NO.	SEE CHART
SIZE	C

SCALE	DESIGN UNITS	THIRD ANGLE PROJECTION
----	----	
TITLE		
MICRO-CHANGE MPIS 4 PORT TOP MOUNT PNP TWIN I/O ATTACHABLE		
MOLEX INCORPORATED		
MATERIAL NO.	DOCUMENT NO.	SHEET NO.
SEE CHART	SD-120114-003	1 OF 1
THIS DRAWING CONTAINS INFORMATION THAT IS PROPRIETARY TO MOLEX INCORPORATED AND SHOULD NOT BE USED WITHOUT WRITTEN PERMISSION		