

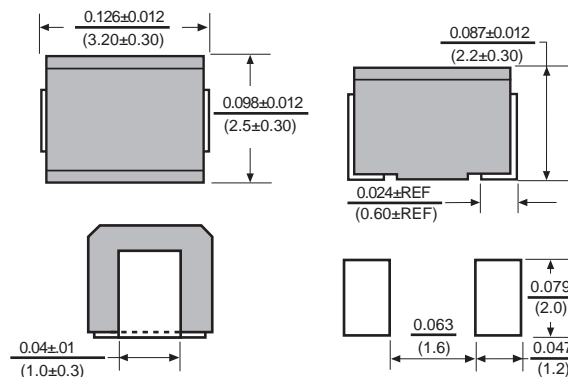


## Molded Chip Inductors

## MC20



Dimensions: Inches  
(mm)



Allied Part Number	Inductance (μh)	Tolerance (%)	Q Min.	Test Freq. (MHz)	SRF Min. (MHz)	DCR Max. (Ω)	IDC (mA)
MC20-R12K-RC	.12	10	30	25.2	500	0.22	450
MC20-R15K-RC	.15	10	30	25.2	450	0.25	450
MC20-R18K-RC	.18	10	30	25.2	400	0.28	450
MC20-R22K-RC	.22	10	30	25.2	350	0.32	450
MC20-R27K-RC	.27	10	30	25.2	320	0.36	450
MC20-R33K-RC	.33	10	30	25.2	300	0.40	450
MC20-R39K-RC	.39	10	30	25.2	250	0.45	450
MC20-R47K-RC	.47	10	30	25.2	220	0.50	450
MC20-R56K-RC	.56	10	30	25.2	180	0.55	450
MC20-R68K-RC	.68	10	30	25.2	160	0.60	450
MC20-R82K-RC	.82	10	30	25.2	140	0.65	450
MC20-1R0K-RC	1.0	10	30	7.96	120	0.70	400
MC20-1R2K-RC	1.2	10	30	7.96	100	0.75	390
MC20-1R5K-RC	1.5	10	30	7.96	85	0.85	370
MC20-1R8K-RC	1.8	10	30	7.96	80	0.90	350
MC20-2R2K-RC	2.2	10	30	7.96	75	1.0	320
MC20-2R7K-RC	2.7	10	30	7.96	70	1.1	290
MC20-3R3K-RC	3.3	10	30	7.96	60	1.2	260
MC20-3R9K-RC	3.9	10	30	7.96	55	1.3	250
MC20-4R7K-RC	4.7	10	30	7.96	50	1.5	220
MC20-5R6K-RC	5.6	10	30	7.96	45	1.6	200
MC20-6R8K-RC	6.8	10	30	7.96	40	1.8	180
MC20-8R2K-RC	8.2	10	30	7.96	35	2.0	170
MC20-100K-RC	10	10	30	2.52	30	2.1	150
MC20-120K-RC	12	10	30	2.52	20	2.5	140
MC20-150K-RC	15	10	30	2.52	20	2.8	130
MC20-180K-RC	18	10	30	2.52	20	3.3	120
MC20-220K-RC	22	10	30	2.52	20	3.7	110
MC20-270K-RC	27	10	30	2.52	20	5.0	80
MC20-330K-RC	33	10	30	2.52	17	5.6	70
MC20-390K-RC	39	10	30	2.52	16	6.4	65
MC20-470K-RC	47	10	30	2.52	15	7.0	60
MC20-560K-RC	56	10	30	2.52	13	8.0	55
MC20-680K-RC	68	10	30	2.52	12	9.0	50
MC20-820K-RC	82	10	30	2.52	11	10	45
MC20-101K-RC	100	10	20	.796	10	11	40
MC20-121K-RC	120	10	20	.796	10	11	70
MC20-151K-RC	150	10	20	.796	8	15	65

Available in tighter tolerances.  
All specifications subject to change without notice.

**Features**

- 1210 Molded Chip Inductor
- Excellent Solder Heat Resistance
- Terminals have high resistance to pull forces

**Electrical**

**Inductance Range:** .12μh ~ 150μh

**Tolerance:** 10% over entire range  
Also available in 5%

**Test Frequency:**

.12μh ~ .82μh measured at 25.2Mhz,  
1μh ~ 8.2μh measured at 7.96Mhz,  
10μh ~ 82μh measured at 2.52Mhz,  
100μh ~ 150μh measured at .796Mhz,

**Operating Temp:** -40°C ~ +125°C

**IDC:** The current at which inductance will drop no more than 10% of it's original value.

**Resistance to Soldering Heat**

Pre-heating: 150°C, 1min

Solder Composition: Sn/Ag 3.0/Cu 0.5

Solder Temperature: 245 ± 5°C

Immersion Time: 4 ± 1 sec, with no damage

**Physical**

**Packaging:** 2000 pieces per 7 inch reel.

**Marking:** EIA Inductance code