

MATERIALS AND FINISHES:

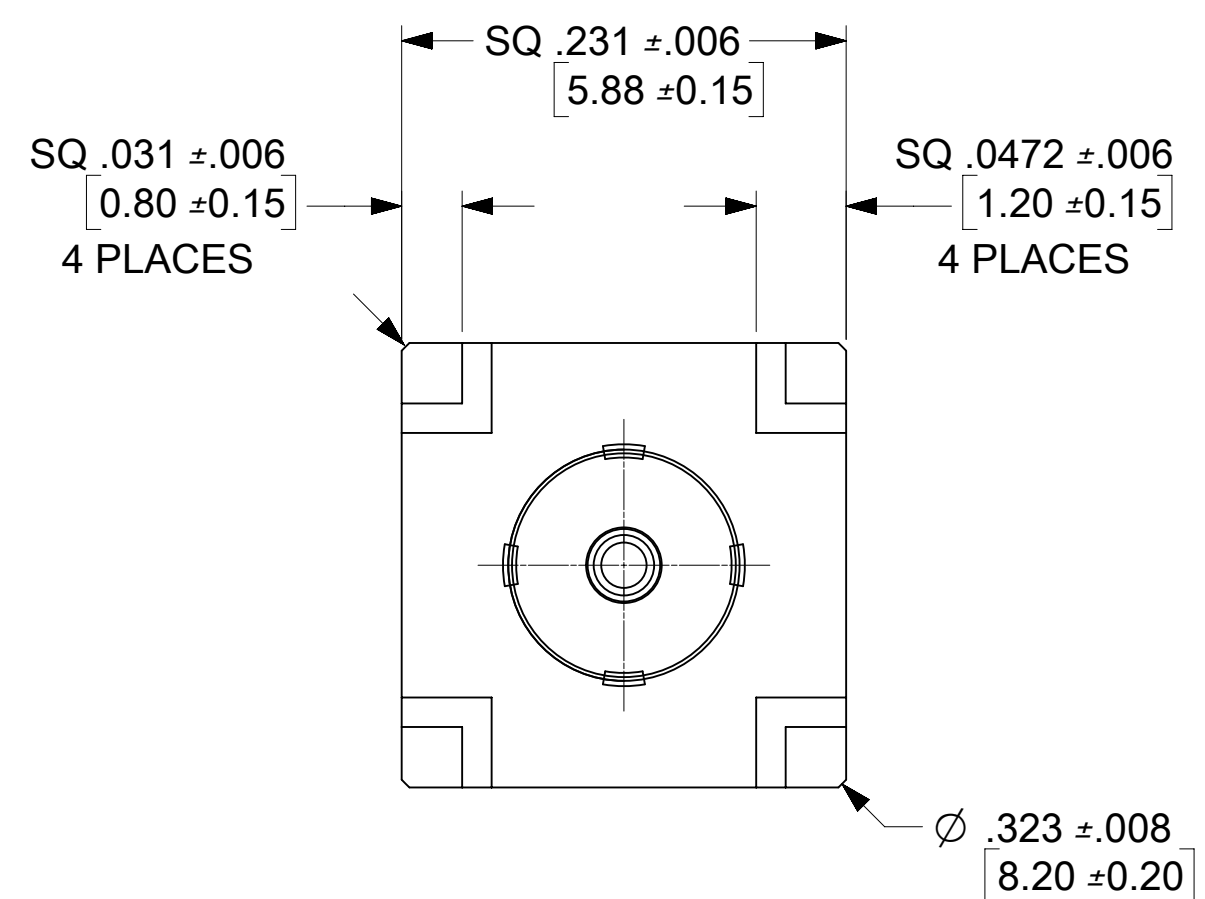
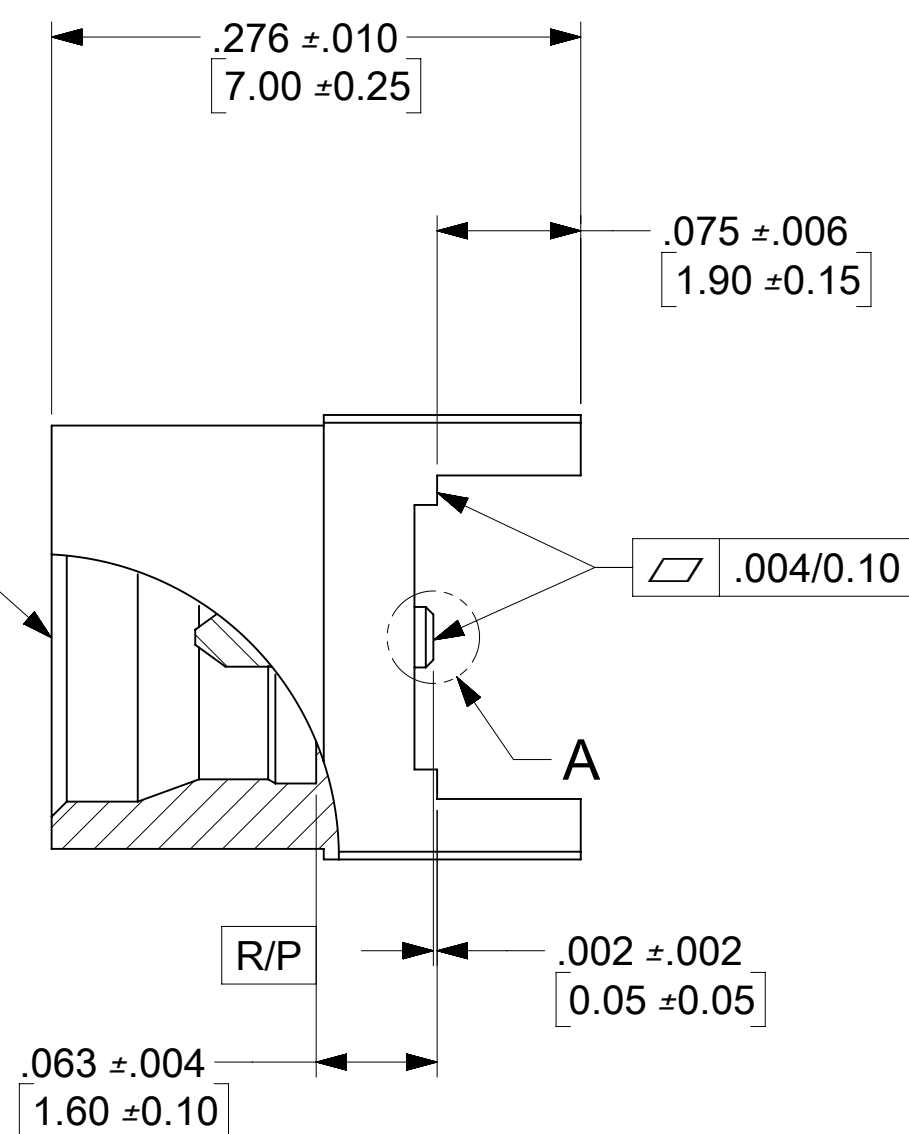
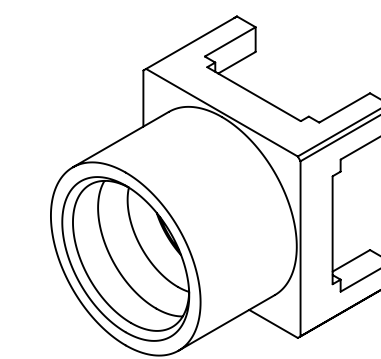
BODY: BRASS  
 PLATED: GOLD (1 u-in MIN) OVER.  
 NICKEL PHOSPHOR (80 u-in MIN).

CONTACT: BRASS  
 PLATED: GOLD (8 u-in MIN) OVER.  
 NICKEL PHOSPHOR (80 u-in MIN).

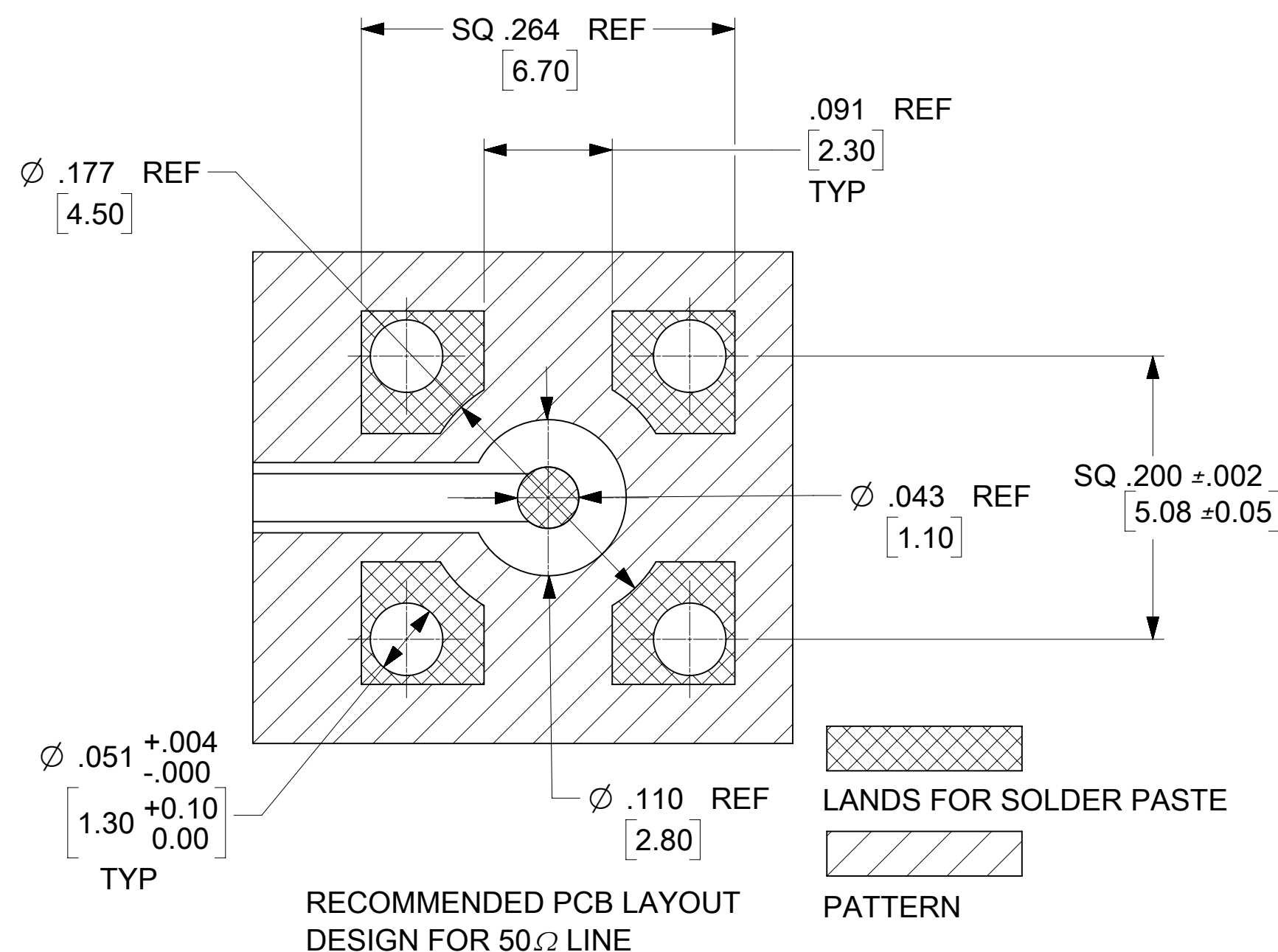
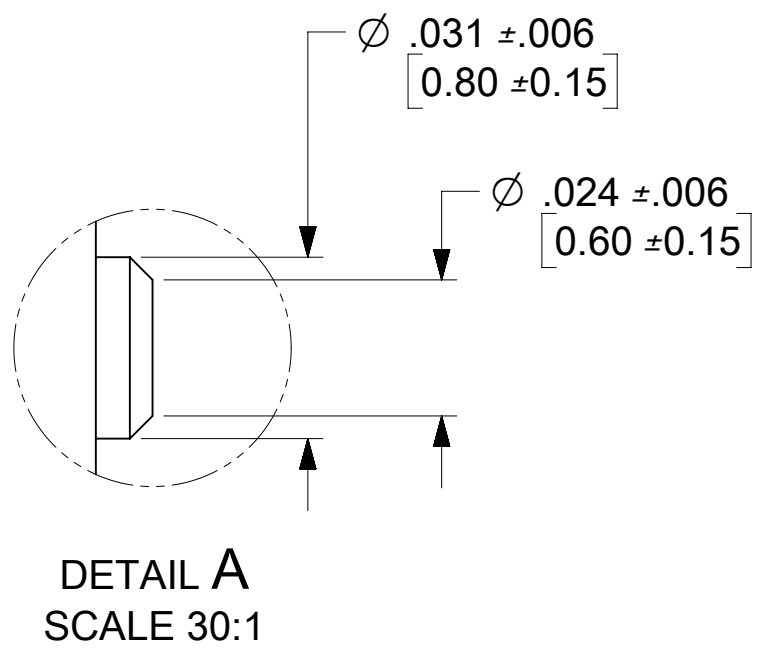
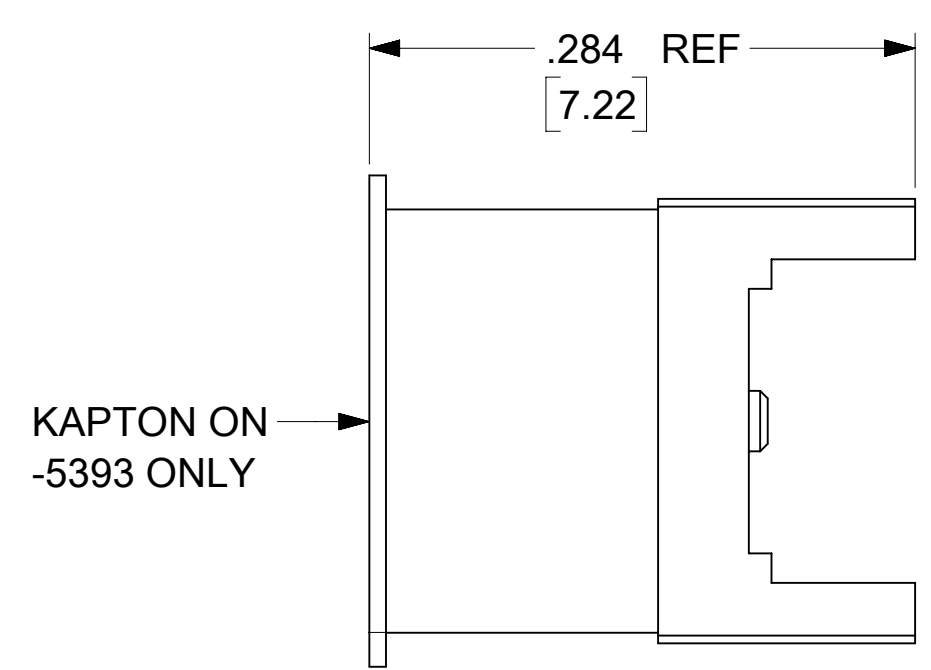
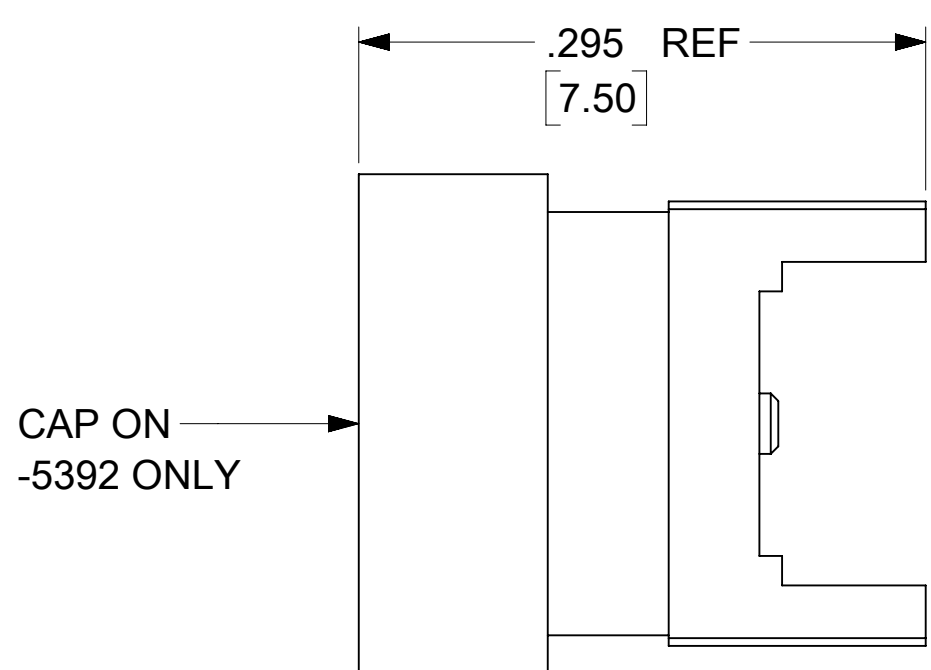
INSULATOR: PTFE

CAP: PTFE ON -5392 ONLY.

KAPTON TAPE DOT: POLYIMIDE FILM  
 ON -0403 ONLY



NO CAP &  
 KAPTON ON  
 -5390  
 -5391  
 -5394



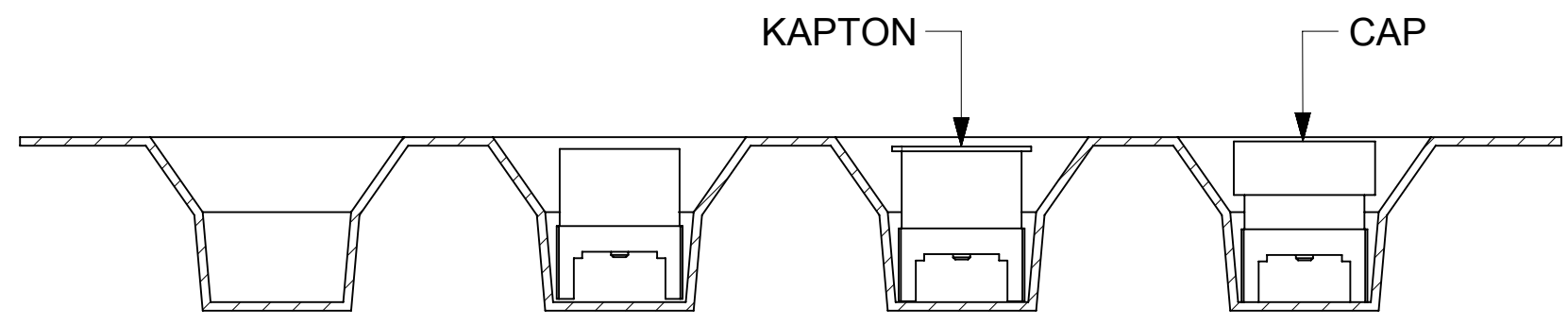
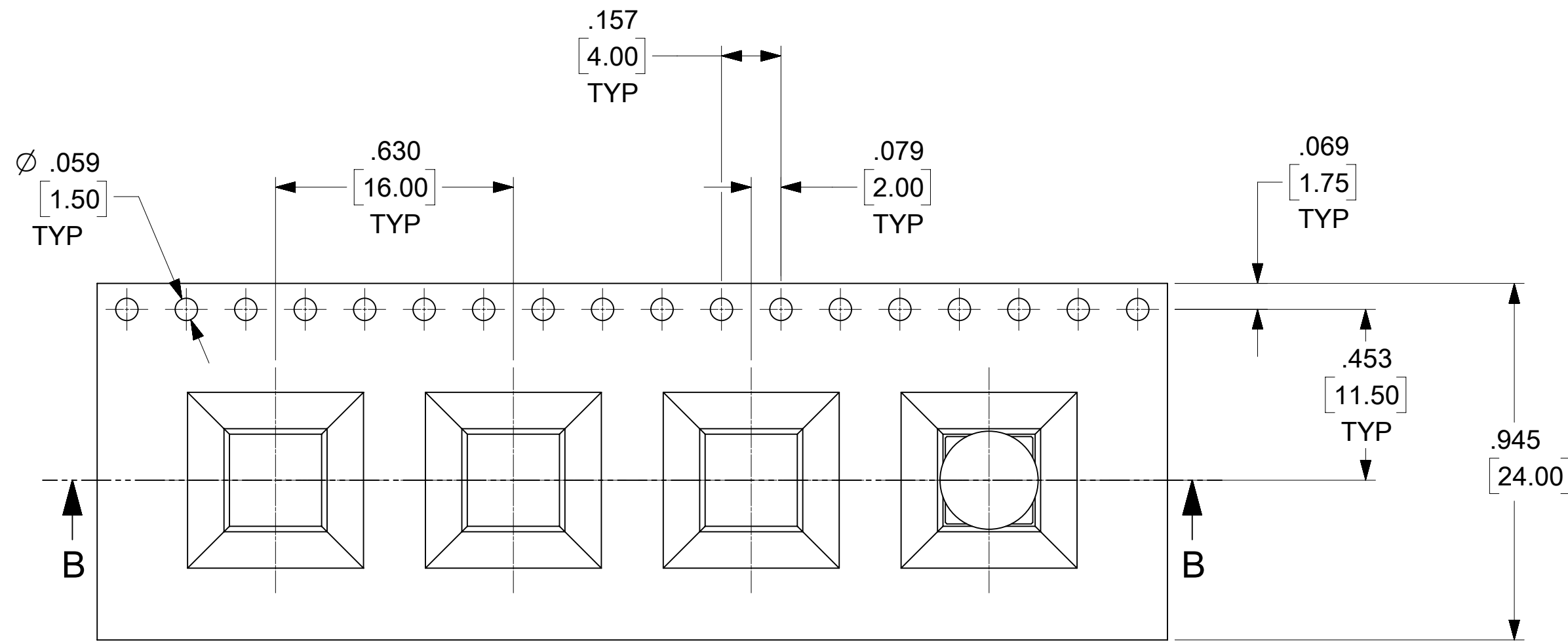
73420-5394	TAPE AND REEL ONLY (500 PCS PER REEL)
73420-5393	TAPE AND REEL WITH KAPTON (500 PCS PER REEL)
73420-5392	TAPE AND REEL WITH CAP (500 PCS PER REEL)
73420-5391	80 PCS PER TRAY (NO CAP AND KAPTON)
73420-5390	ONE PER BAG (NO CAP AND KAPTON)
PART NO.	DESCRIPTION

PS-89675-3760	ELEC/MECH PERFORMANCE
SPECIFICATION	DESCRIPTION

C1	2018/4/17	ADD TOLERANCE PER EWR #12018-A
REV	DATE	DESCRIPTION

THIS DRAWING CONTAINS INFORMATION THAT IS PROPRIETARY TO MOLEX ELECTRONIC TECHNOLOGIES, LLC AND SHOULD NOT BE USED WITHOUT WRITTEN PERMISSION

DIMENSION UNITS: HYBRID	SCALE: NTS	CURRENT REV DESC:	<b>molex</b>
GENERAL TOLERANCES (UNLESS SPECIFIED):	EC NO: 175577	2018/04/17	
ANGULAR TOL ± °	DRWN: RYEH	2018/05/07	SMP-MAX PLUG STR DETENT PCB TH SIGNAL SMT SMPMAX-P/PCB
4 PLACES ±	CHK'D: YCHENG	2018/05/07	PRODUCT CUSTOMER DRAWING
3 PLACES ±	APPR: YCHENG	2018/05/07	DOCUMENT NUMBER: SD-73420-539
2 PLACES ±	INITIAL REVISION:		DOC TYPE: PSD
1 PLACE ±	DRWN: BBHARADWAJD	2015/07/03	DOC PART: 000
0 PLACES ±	APPR: AROBERTSON	2015/07/03	REVISION: C1
DRAFT WHERE APPLICABLE MUST REMAIN WITHIN DIMENSIONS	THIRD ANGLE PROJECTION	DRAWING: C-SIZE	SHEET NUMBER: 1 OF 3
		SERIES: 73420	MATERIAL NUMBER: SEE TABLE
			CUSTOMER: GENERAL MARKET

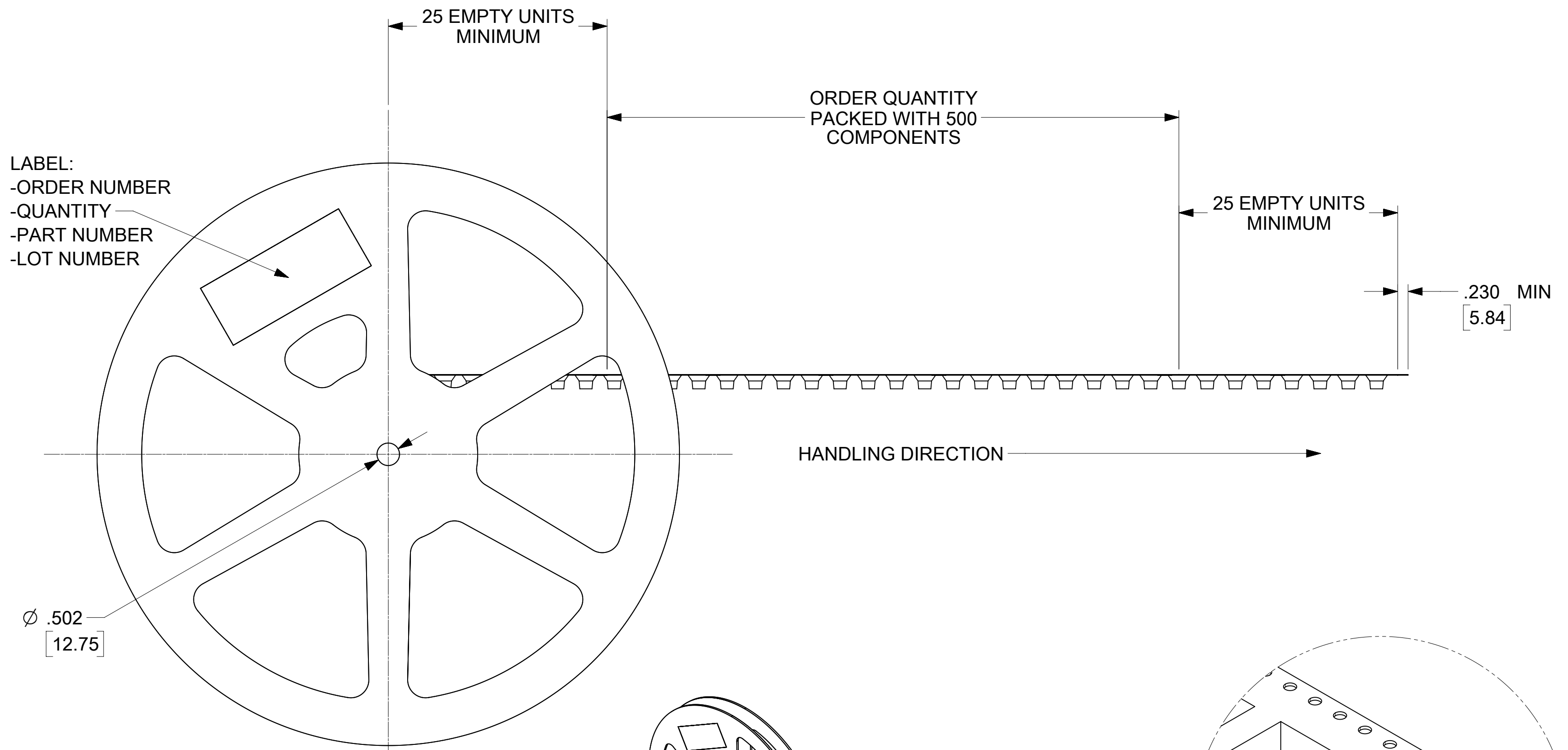


SECTION B-B

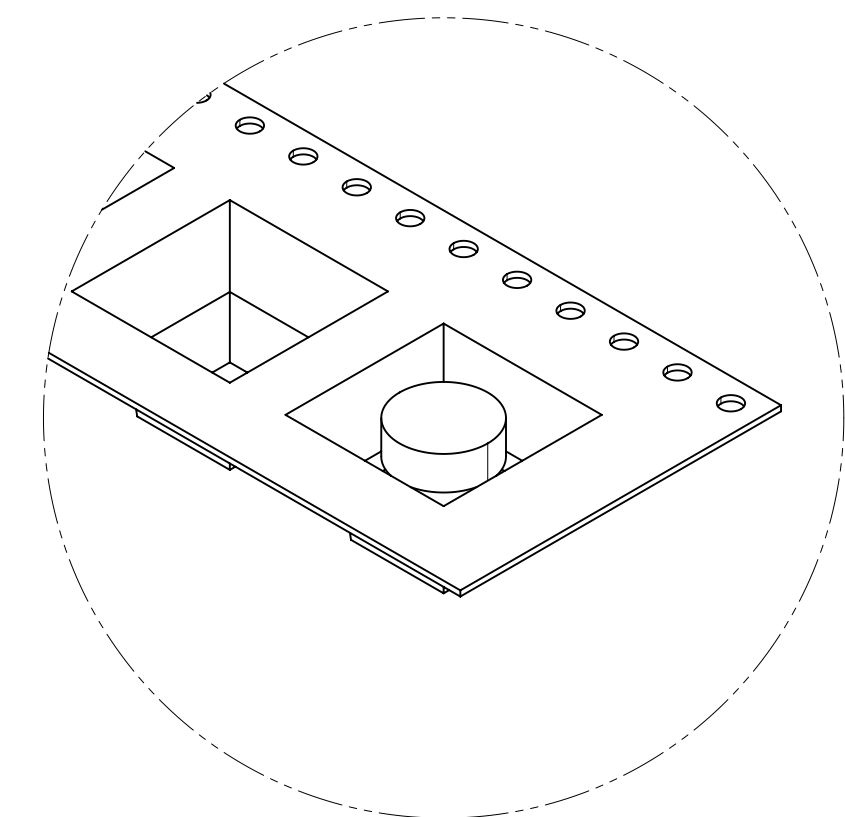
THIS DRAWING CONTAINS INFORMATION THAT IS PROPRIETARY TO MOLEX ELECTRONIC TECHNOLOGIES, LLC AND SHOULD NOT BE USED WITHOUT WRITTEN PERMISSION

DIMENSION UNITS: <b>HYBRID</b>		SCALE: <b>NTS</b>		CURRENT REV DESC:				<b>molex</b>					
GENERAL TOLERANCES (UNLESS SPECIFIED)				EC NO: 175577								SMP-MAX PLUG STR DETENT	
ANGULAR TOL ± °				DRWN: RYEH 2018/04/17				PCB TH SIGNAL SMT SMPMAX-P/PCB					
4 PLACES ±				CHK'D: YCHENG 2018/05/07				PRODUCT CUSTOMER DRAWING					
3 PLACES ±				APPR: YCHENG 2018/05/07				DOCUMENT NUMBER					
2 PLACES ±				INITIAL REVISION:				SD-73420-539					
1 PLACE ±				DRWN: BBHARADWAJD 2015/07/03				DOC TYPE: PSD		DOC PART: 000		REVISION: C1	
0 PLACES ±				APPR: AROBERTSON 2015/07/03				MATERIAL NUMBER		CUSTOMER		SHEET NUMBER	
DRAFT WHERE APPLICABLE MUST REMAIN WITHIN DIMENSIONS		THIRD ANGLE PROJECTION		DRAWING		SERIES		SEE TABLE		GENERAL MARKET		2 OF 3	

DOCUMENT STATUS	P1	RELEASE DATE	2018/05/07	01:13:21
-----------------	----	--------------	------------	----------



FOR 73420-5392 & -5393 & -5394



DETAIL C  
SCALE 5:2

THIS DRAWING CONTAINS INFORMATION THAT IS PROPRIETARY TO MOLEX ELECTRONIC TECHNOLOGIES, LLC AND SHOULD NOT BE USED WITHOUT WRITTEN PERMISSION

DIMENSION UNITS		SCALE		CURRENT REV DESC:				<b>molex</b>							
HYBRID		NTS													
GENERAL TOLERANCES (UNLESS SPECIFIED)				EC NO: 175577				SMP-MAX PLUG STR DETENT PCB TH SIGNAL SMT SMPMAX-P/PCB							
ANGULAR TOL ± °				DRWN: RYEH 2018/04/17											
4 PLACES ±				CHK'D: YCHENG 2018/05/07											
3 PLACES ±				APPR: YCHENG 2018/05/07				PRODUCT CUSTOMER DRAWING							
2 PLACES ±				INITIAL REVISION:				DOCUMENT NUMBER							
1 PLACE ±				DRWN: BBHARADWAJD 2015/07/03				SD-73420-539							
0 PLACES ±				APPR: AROBERTSON 2015/07/03				DOC TYPE DOC PART REVISION							
DRAFT WHERE APPLICABLE MUST REMAIN WITHIN DIMENSIONS				THIRD ANGLE PROJECTION		DRAWING		SERIES		MATERIAL NUMBER		CUSTOMER		SHEET NUMBER	
						C-SIZE		73420		SEE TABLE		GENERAL MARKET		3 OF 3	

DOCUMENT STATUS	P1	RELEASE DATE	2018/05/07	01:13:21
-----------------	----	--------------	------------	----------