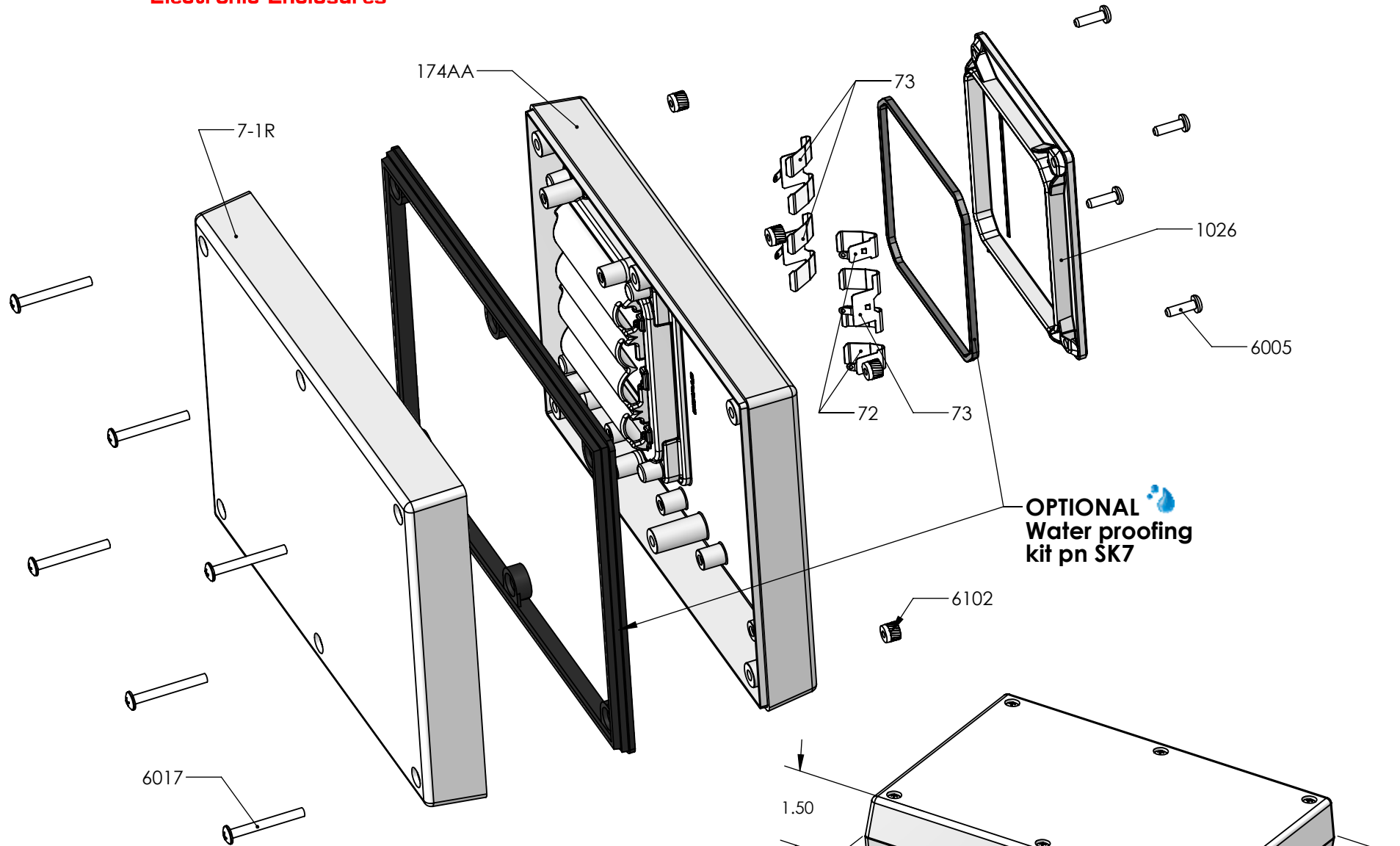


# SERPAC 171R4AA (exploded isometric)

Electronic Enclosures



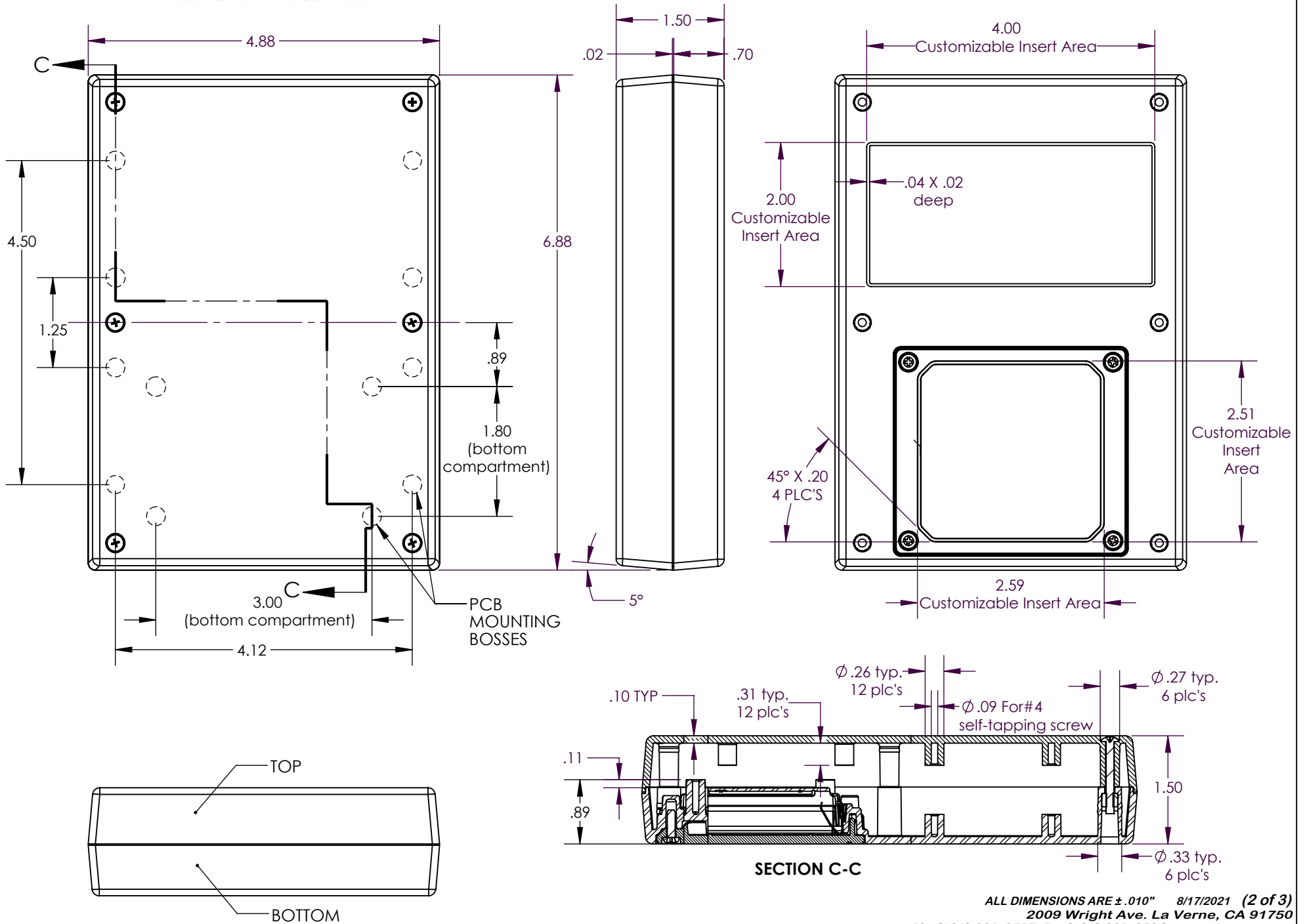
OPTIONAL  
Water proofing  
kit pn SK7

PART NO.	DESCRIPTION (Included)	ACCESSORIES (Optional)
7-1R	Top	
174AA	4AA Bottom	
1026	Access Door	
6005	#4 X 3/8" Self-Tapping Screw (4)	
6017	4-40 X 1" Screw (6)	
6102	4-40 Threaded Insert (6)	
73	Double Battery Contact (3)	
72	Single Battery Contact (2)	
		PART NO. DESCRIPTION
		50 Non-skid Feet
		SK7 Seal Kit for 17X

- Notes:
- 1) Enclosure weight .47 lb / 216 g
  - 2) Enclosure meets or exceeds IP40 and NEMA 1
  - 3) When used with SK7 the enclosure meets or exceeds IP 67 and NEMA 4X, 12 and 13 MIL-STD-810G 506.5 (.03 lb / 14g)
  - 4) Circuit Board drawings see sheet 3.
  - 5) All components are RoHS Compliant.

# SERPAC 171R4AA

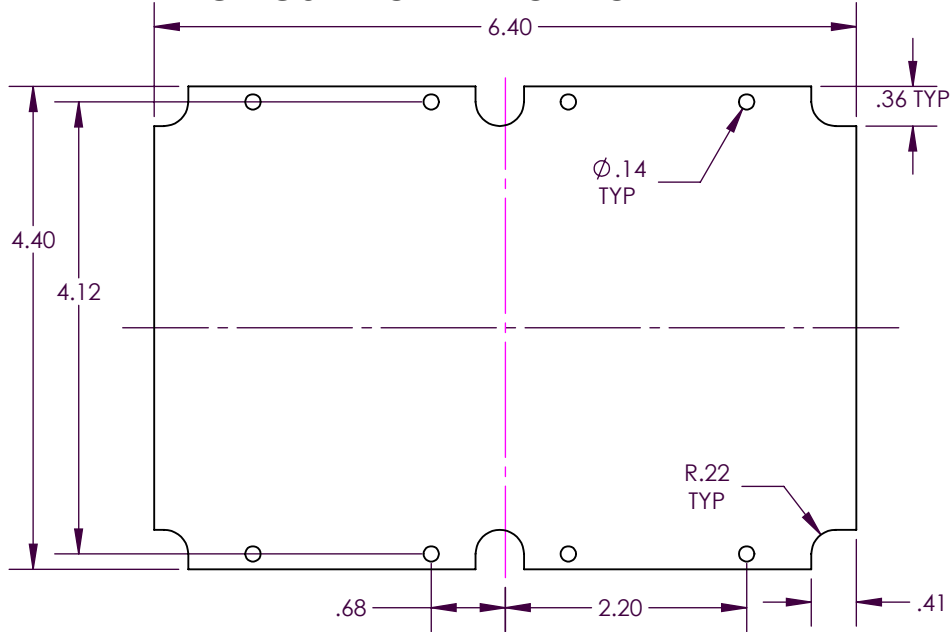
Electronic Enclosures



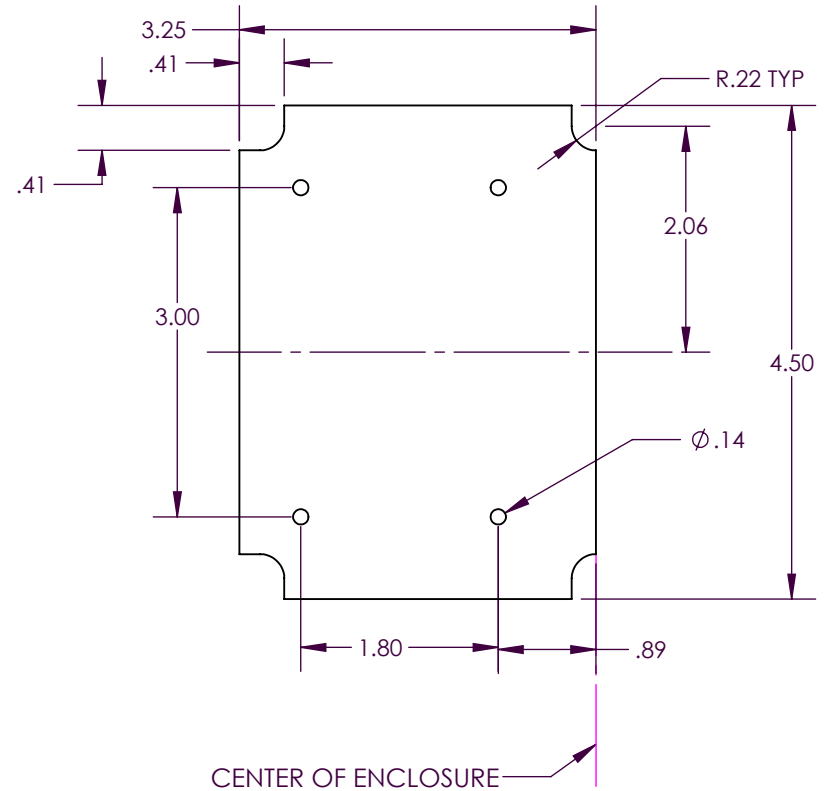
# SERPAC PCB for 17X compartment enclosures

Electronic Enclosures

**CIRCUIT BOARD FOR TOP**



**CIRCUIT BOARD FOR BOTTOM**



**SMALL CIRCUIT BOARD FOR BOTTOM**

