

- 1
- 2
- 3
- 4
- 5
- 6
- 7
- 8
- 9
- 10
- 11
- 12
- 13
- 14
- 15
- 16
- 17
- 18

MATERIAL

Transparent polyamide based (PA-T) technopolymer. Highly resistant to shocks, solvents, oils with additives, aliphatic and aromatic hydrocarbons, petrol, naphtha, phosphoric esters.
Avoid contact with alcohol or detergents containing alcohol.

SCREWS, NUTS AND WASHERS

Zinc-plated steel.

PACKING RINGS

NBR synthetic rubber O-Ring.
Suggested roughness of the packing ring application surface Ra = 3 µm.

FLOAT

Polyamide based (PA) expanded technopolymer, black colour, with a built-in magnetic element to activate the electric contact when the oil level drops to a minimum; alarm threshold located at about 50 mm from the centre of the lower nut (in presence of mineral oil type CB68, according to ISO 3498, at 23°C).
Floating is ensured by fluids with densities higher than 800 kg/m³.

SENSOR BRACKET

Watertight in polypropylene based (PP) technopolymer, black colour, with a built-in relay (reed) with two conductors wired to the two-pin connector.
For a correct assembly see Warnings (on page 1227).

SWIVELLING TWO-PIN CONNECTOR

With built-in cable gland and contact holder. Front or side output (right or left) including protection against water sprays (protection class IP 65 according to EN 60529 on page A-19).

CONTRAST SCREEN

White lacquered aluminium. The housing, in the appropriate external rear slot, guarantees the best protection from direct contact with fluid. It can be taken out from the inclined side, before assembly to allow the insertion of level lines or words.

STANDARD EXECUTION

With electrical contacts normally closed.

MOUNTING

When fitting is not possible from the inside of the reservoir and the walls are not thick enough, the screws can be used together with Fast Mounting Kit (see page 1221).

MAXIMUM CONTINUOUS WORKING TEMPERATURE

90°C (with oil).

FEATURES AND PERFORMANCES

The column level indicator HCX-E, in addition to the visual control, generates an electric signal when the oil level drops to a minimum. Ultrasound welding to guarantee a perfect seal. Maximum fluid level visibility even from side positions. Lens effect for a better visibility of the fluid level.



ELESA Original design

TECHNICAL DATA

In laboratory tests carried out with mineral oil type CB68 (according to ISO 3498) at 23°C for a limited period of time, the weld stood up to 13 bar.
For use with other fluids and under different pressure and temperature conditions, please contact ELESA Technical Department.
In any case we suggest to verify the suitability of the product under the actual working conditions.

SPECIAL EXECUTIONS ON REQUEST

- Level indicators for use with fluids containing alcohol.
- UV resistant transparent technopolymer indicators.

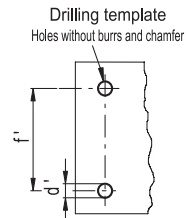
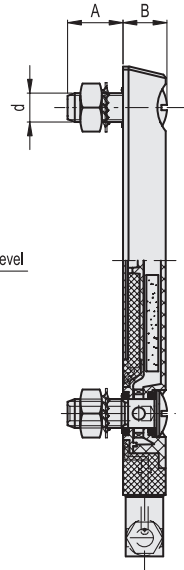
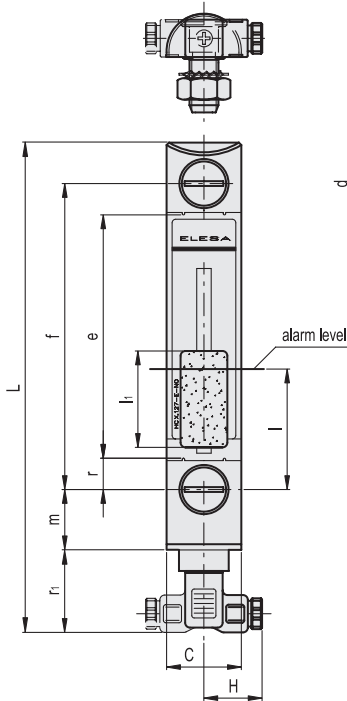
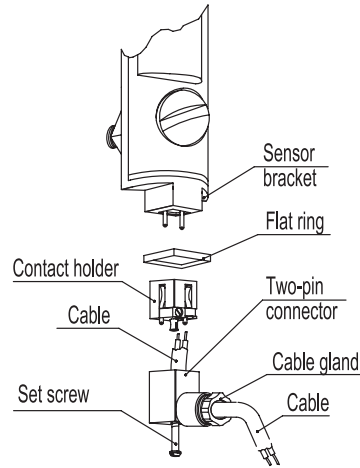
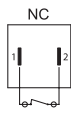
FUNCTIONING OF THE MIN LEVEL ELECTRICAL SENSOR

HCX-E-NC: the electrical circuit is open when the minimum level is reached.

Electrical features	MIN level sensor
Power supply	AC/DC
Electric contacts	NC normally closed
Maximum applicable voltage	NC: 150Vac, 150 Vdc
Maximum switching current	1 A
Maximum current	NC: 2A
Maximum commutable power	NC: 20 Va
Cable gland	Pg 7 (for cables in sheath with Ø 6 or 7 mm)
Conductors cross-section	Max. 1.5 mm ²
Do not mount this indicator in proximity to magnetic fields.	

TWO-PIN CONNECTOR ASSEMBLY INSTRUCTIONS

1. Remove the connector from the indicator by unscrewing the set screw placed in the bottom, take the contact holder out and loosen the cable gland.
2. Slip on the two-pole cable into the connector (standard connector) and connect the wires to the terminals nr. 1 and nr. 2 of the contact holder.
3. Assemble by pressing the contact holder into the connector in the required position.
4. Screw the connectors to the indicator and then tighten the cable glands.



Conversion Table	
1 mm = 0.039 inch	
f	
mm	inch
127	5.00
254	10.00

METRIC

Code	Description	f	d	A	B	C	H	L	e	l	li	m	r	r1	d'-0.2	f±0.2	C#	[Nm]	⚖
11142	HCX.127-E-NC-M12	127	M12	23	20	32	26	202	101	50	40	25	13	32.5	12.5	127	12	150	
11146	HCX.254-E-NC-M12	254	M12	23	20	31	25	328	228	50	40	25	13	32.5	12.5	254	12	177	

Maximum tightening torque.

