
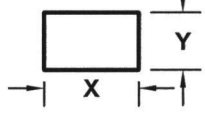

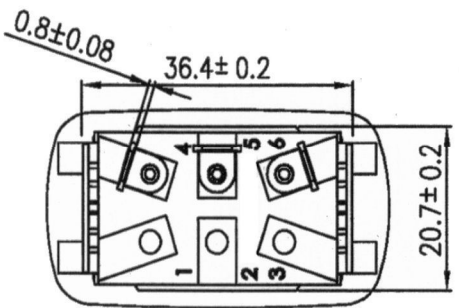
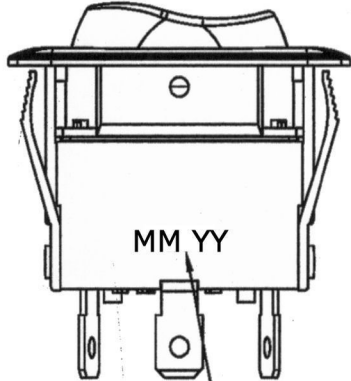
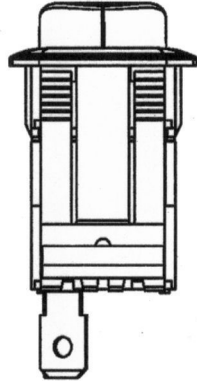
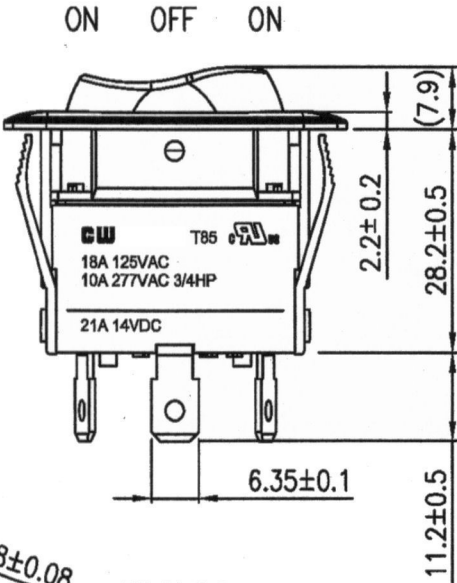
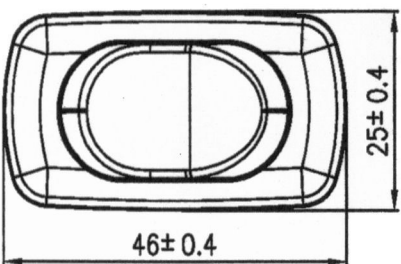


THIS INFORMATION IS CONFIDENTIAL AND PROPRIETARY TO CW INDUSTRIES INCORPORATED AND ITS AFFILIATES. IT MAY NOT BE DISCLOSED TO ANYONE, OTHER THAN CW INDUSTRIES PERSONNEL, WITHOUT WRITTEN AUTHORIZATION FROM CW INDUSTRIES INCORPORATED, SOUTHAMPTON, PENNSYLVANIA USA.

| Rating | 18A 125VAC, 10A 277VAC |  | Mounting Hole  | Circuit Diagram  | | | | | | | | | | | | |
|-----------------------|------------------------|---|---|---|---|---|-------------|------------|------------|-------------|------------|------------|-------------|------------|------------|---------------------------|
| | 21A 14V DC | | | | | | | | | | | | | | | |
| Contact Resistance | 50m ohm max. | | | | | | | | | | | | | | | |
| Insulation Resistance | DC 500V 100M ohm min. | | | | | | | | | | | | | | | |
| Dielectric Strength | AC 1500V 1 minute | | | | | | | | | | | | | | | |
| Operating Temperature | -20 °C ~ 85 °C | | | | | | | | | | | | | | | |
| | | | <table border="1"> <thead> <tr> <th>Thickness</th> <th>X</th> <th>Y</th> </tr> </thead> <tbody> <tr> <td>0.75 - 1.25</td> <td>21.2 + 0.1</td> <td>36.6 + 0.1</td> </tr> <tr> <td>1.25 - 2.00</td> <td>21.2 + 0.1</td> <td>36.8 + 0.1</td> </tr> <tr> <td>2.00 - 3.00</td> <td>21.2 + 0.1</td> <td>37.0 + 0.1</td> </tr> </tbody> </table> | Thickness | X | Y | 0.75 - 1.25 | 21.2 + 0.1 | 36.6 + 0.1 | 1.25 - 2.00 | 21.2 + 0.1 | 36.8 + 0.1 | 2.00 - 3.00 | 21.2 + 0.1 | 37.0 + 0.1 | SPDT ON - OFF - ON |
| Thickness | X | Y | | | | | | | | | | | | | | |
| 0.75 - 1.25 | 21.2 + 0.1 | 36.6 + 0.1 | | | | | | | | | | | | | | |
| 1.25 - 2.00 | 21.2 + 0.1 | 36.8 + 0.1 | | | | | | | | | | | | | | |
| 2.00 - 3.00 | 21.2 + 0.1 | 37.0 + 0.1 | | | | | | | | | | | | | | |

BASE COLOR: Black
BUTTON COLOR: Black



RoHS Compliant

1 | Added 3/4HP 125/277VAC to rating. 1/31/11.

CW INDUSTRIES
 Southampton, Pa. 18966
 Tel 215.355.7080/www.cwind.com

Date Drawn: 1/31/11

Rev. 1

Unit: mm

Checked By: **G.GULD**

Title: **ROCKER SWITCH**

CW P/N: **GRB263D001NNN**