

RP180

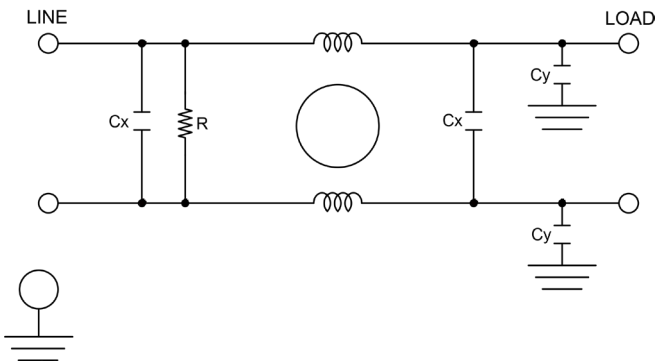
IEC INLET SINGLE STAGE POWER LINE FILTERS

FEATURES

- » **Rated currents** include **15A** and **20A**
- » Single Stage Line Filter
- » Available with **QD** tabs or **W** (wireleads) options
- » High Performance
- » Agency Approved to UL1283/60929, CSA C22.2, EN 60939
- » Y-cap value can be adjusted to fit specifications

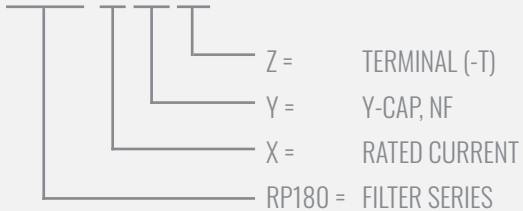


ELECTRICAL SCHEMATIC



HOW TO ORDER

RP180-X-Y-Z



NOTE: USE ANY COMBINATION OF -X (AMPS) WITH ANY -Y RATINGS
E.G. **RP180-15-.47-QD** (15AMPS WITH .47 NF YCAP)

For **X**, **Y** and **Z** options see product specification table.

SPECIFICATIONS

OPERATING FREQUENCY	50/60Hz
IEC INLET	C14
MAX. OPERATING VOLTAGE	250V +10%
AMBIENT TEMPERATURE	-25 TO 40°C
CLIMATIC CATEGORY	25/100/21
PLASTIC MTG FORCE	18 LBS.
TERMINALS (-T)	QD: 0.25" TABS WIRE LEADS

TYP. WEIGHT, LBS (KG) 0.2 (0.1)

TYPICAL LEAKAGE CURRENT

@ 250 VAC 50 Hz	0 - 0.8 mA Max.
@ 120 VAC 60 Hz	0 - 0.4 mA Max.

HIPOT RATINGS

LINE TO GROUND	2121 VDC
----------------	----------

TYPICAL APPLICATIONS

- ✓ Electronic Equipment
- ✓ Household Appliances
- ✓ Power Supplies
- ✓ Medical Equipment
- ✓ Fitness Systems
- ✓ Industrial Equipment

RP180

IEC INLET SINGLE STAGE POWER LINE FILTERS

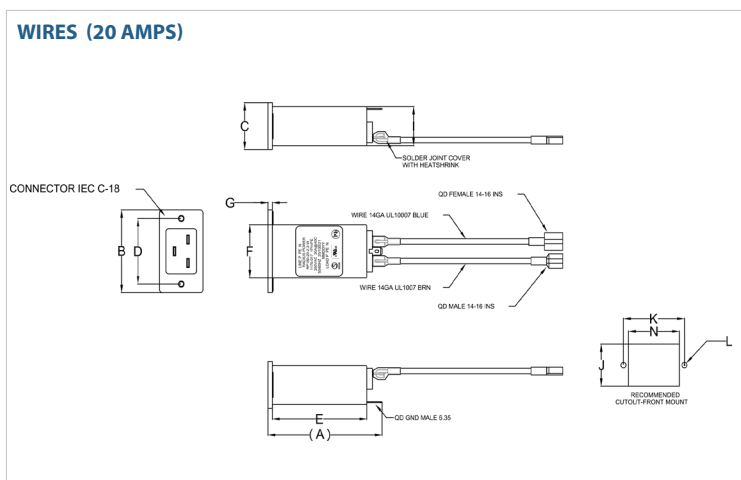
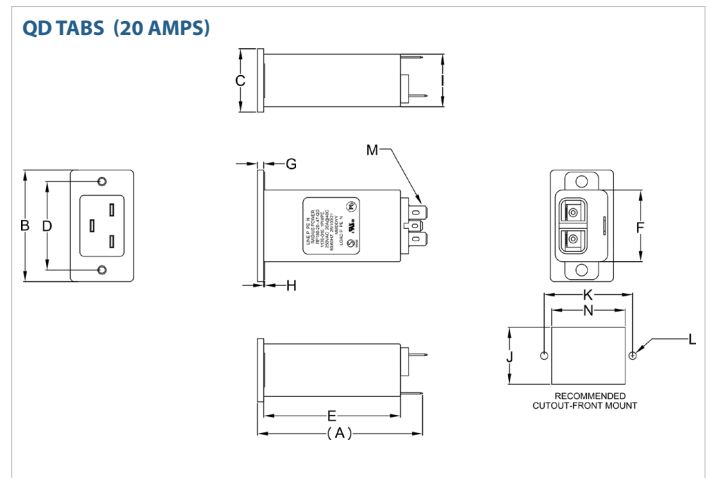
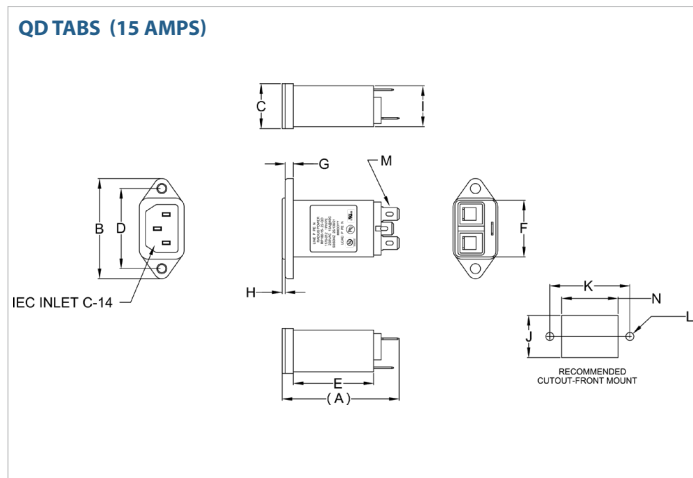
MODEL NO.	RATED CURRENT, A @ 40° C	Y-CAP, nF	LEAKAGE CURRENT, mA @ 250V AC, 50 Hz / @ 120V AC, 60 Hz		TERMINAL OPTIONS		MAX. DIMENSIONS" (MM)		
					(QD) OUTPUT	(W) OUTPUT	WIDTH	(LENGTH)	HEIGHT
RP180-15-0-QD	15	0	-	-	✓		1.97" (50)	2.30" (58.45)	0.88" (22.4)
RP180-15-0-W	15	0	-	-		✓	1.97" (50)	1.63" (41.4)	0.88" (22.4)
RP180-15-22-QD	15	0.22	0.03	0.02	✓		1.97" (50)	2.30" (58.45)	0.88" (22.4)
RP180-15-22-W	15	0.22	0.03	0.02		✓	1.97" (50)	1.63" (41.4)	0.88" (22.4)
RP180-15-47-QD	15	0.47	0.07	0.04	✓		1.97" (50)	2.30" (58.45)	0.88" (22.4)
RP180-15-47-W	15	0.47	0.07	0.04		✓	1.97" (50)	1.63" (41.4)	0.88" (22.4)
RP180-15-1-QD	15	1	0.15	0.09	✓		1.97" (50)	2.30" (58.45)	0.88" (22.4)
RP180-15-1-W	15	1	0.15	0.09		✓	1.97" (50)	1.63" (41.4)	0.88" (22.4)
RP180-15-2.2-QD	15	2.2	0.34	0.19	✓		1.97" (50)	2.30" (58.45)	0.88" (22.4)
RP180-15-2.2-W	15	2.2	0.34	0.19		✓	1.97" (50)	1.63" (41.4)	0.88" (22.4)
RP180-15-4.7-QD	15	4.7	0.73	0.42	✓		1.97" (50)	2.30" (58.45)	0.88" (22.4)
RP180-15-4.7-W	15	4.7	0.73	0.42		✓	1.97" (50)	1.63" (41.4)	0.88" (22.4)
RP180-20-0-QD	20	0	-	-	✓		2.09" (53)	3.17" (80.6)	1.18" (30)
RP180-20-0-W	20	0	-	-		✓	2.09" (53)	3.09" (78.5)	1.18" (30)
RP180-20-22-QD	20	0.22	0.03	0.02	✓		2.09" (53)	3.17" (80.6)	1.18" (30)
RP180-20-22-W	20	0.22	0.03	0.02		✓	2.09" (53)	3.09" (78.5)	1.18" (30)
RP180-20-47-QD	20	0.47	0.07	0.04	✓		2.09" (53)	3.17" (80.6)	1.18" (30)
RP180-20-47-W	20	0.47	0.07	0.04		✓	2.09" (53)	3.09" (78.5)	1.18" (30)
RP180-20-1-QD	20	1	0.15	0.09	✓		2.09" (53)	3.17" (80.6)	1.18" (30)
RP180-20-1-W	20	1	0.15	0.09		✓	2.09" (53)	3.09" (78.5)	1.18" (30)
RP180-20-2.2-QD	20	2.2	0.34	0.19	✓		2.09" (53)	3.17" (80.6)	1.18" (30)
RP180-20-2.2-W	20	2.2	0.34	0.19		✓	2.09" (53)	3.09" (78.5)	1.18" (30)
RP180-20-4.7-QD	20	4.7	0.73	0.42	✓		2.09" (53)	3.17" (80.6)	1.18" (30)
RP180-20-4.7-W	20	4.7	0.73	0.42		✓	2.09" (53)	3.09" (78.5)	1.18" (30)

*Contact factory for dimensions.

RP180

IEC INLET SINGLE STAGE POWER LINE FILTERS

RP180 MECHANICAL OUTLINES (MM)



SERIES	(A)	B	C	D	E	F	G	H	I	J	K	L	M	N
QD TABS (15A)	2.30" (58.45)	1.97" (50)	0.88" (22.4)	1.57" (40)	1.61" (41)	1.11" (28.2)	0.16" (4.1)	0.06" (1.5)	0.80" (20.4)	0.83" (21)	1.57" (40)	Ø0.15, 2X Ø4.0, 2X	0.25, 3x QD, MALE, 6.35, 3x	1.11" (28.22)
QD TABS (20A)	3.17" (80.6)	2.09" (53)	1.18" (30)	1.66" (42.2)	2.56" (65)	1.38" (35)	0.12" (3)	0.02" (0.5)	0.98" (25)	1.07" (27.2)	1.65" (42)	Ø0.07, 2X Ø3.50, 2X	0.25, 3x QD, MALE, 6.35, 3x	1.39" (35.2)
WIRES (20A)	3.09" (78.5)	2.09" (53)	1.18" (30)	1.66" (42.2)	2.56" (65)	1.34" (34)	0.12" (3)	N/A	1.02" (26)	1.07" (27.2)	1.65" (42)	Ø0.07, 2X Ø3.50, 2X	N/A	1.39" (35.2)

TYPICAL TOLERANCE: +/-0.02" (0.50MM)

RP180

IEC INLET SINGLE STAGE POWER LINE FILTERS

TYPICAL INSERTION LOSS, dB (50/50 Ohm)

Amps	Freq (MHz)	0.15	0.5	1.0	10	30
15	CM (dB)	8	18	26	45	50
	DM (dB)	10	18	22	50	50
20	CM (dB)	10	20	26	45	55
	DM (dB)	14	24	30	55	55