

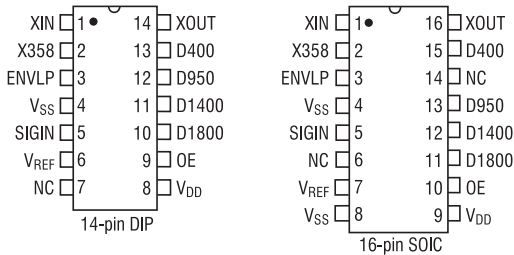
### Features

- Detects single-frequency tones used for error indication and call progress in telephone systems
- Provides detection windows for:
  - 400/425 Hz (Call Progress)
  - 950 Hz (Special and error indication)
  - 1400 Hz (Special and error indication)
  - 1800 Hz (Special and error indication)
- Separate tri-state outputs for each tone window
- Inexpensive 3.58 MHz crystal time base
- Auxiliary 3.58 MHz clock output
- 14-pin DIP package and 16-pin SOIC package
- Single supply 3 to 5 volt (low power CMOS)
- Wide dynamic range (30 dBm)

### Applications

- Automatic dialers
- Modems
- Telecom test equipment
- Telephone traffic measurement,
- Service evaluation
- Billing equipment

### Pin Diagram



### Description

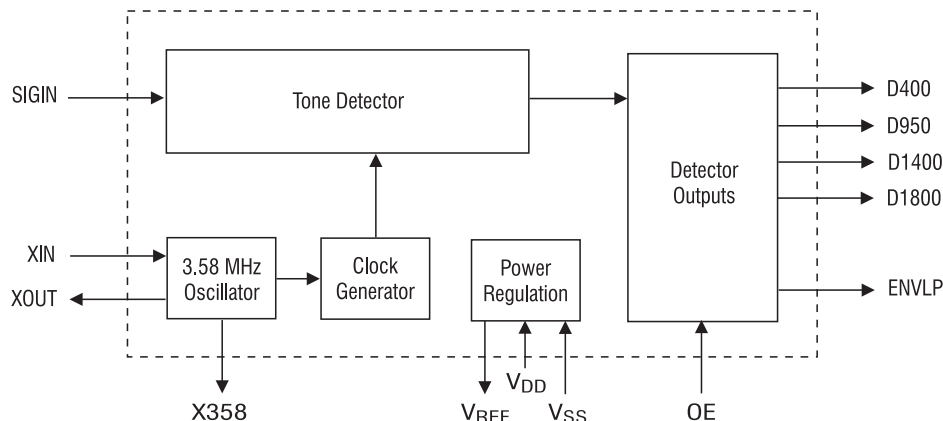
The M-984-02 Special Information Tone Detector is a monolithic integrated circuit designed to provide reliable detection of many common telephone network status signals. In particular, it detects the signals known as Special Information Tones (SITs) or error tones as defined by the CCITT, and single tones often used as dial tone, audible ringing, and other general progress indications. The M-984-02 uses CMOS switched capacitor filters and a crystal time base to achieve the high stability and accuracy specified. Each tone detection window has an associated output pin, which can be placed in a high impedance state for use with time-share microcomputer bus applications.

In comparison with the earlier M-984, the M-984-02 has wider acceptance bands for SIT tones to facilitate reception of tape-loop tones, lower power consumption at 5V operation, 3V operation, superior temperature performance, lower cost, and is available in DIP, SOIC, and SOIC tape and reel versions.

### Ordering Information

Part #	Description
M-984-02P	14-pin plastic DIP
M-984-02S	16-pin plastic, SOIC
M-984-02T	16-pin SOIC, Tape and Reel

### Block Diagram



**M-984-02****Absolute Maximum Ratings**

DC Supply Voltage	7V
Input Voltage on SIGIN	$V_{SS} - 6.5V$ to $V_{DD} + 0.3V$
Input Voltage on Any Pin (except SIGIN)	$V_{SS} - 0.3$ to $V_{DD} + 0.3V$
Storage Temperature Range	-40°C to +150°C
Operating Temperature Range	-40°C to +85°C
Lead Soldering Temperature	260°C for 5 seconds

**Note:**

Exceeding these ratings may permanently damage the device.

*Absolute Maximum Ratings are stress ratings. Stresses in excess of these ratings can cause permanent damage to the device. Functional operation of the device at these or any other conditions beyond those indicated in the operational sections of this data sheet is not implied. Exposure of the device to the absolute maximum ratings for an extended period may degrade the device and effect its reliability.*

**Specifications**

Parameter		Conditions	Min	Max	Units	
Operating Conditions	$V_{DD}$	-	2.7	5.5	V	
	Power supply noise	0.1 - 5 kHz	-	20	mV p-p	
Power	Current drain ( $I_{DD}$ )	$V_{REF}$ open	-	15	mA	
$V_{REF}$	$V_{REF}$	-	48% of $V_{DD}$	52% of $V_{DD}$	V	
	Impedance	-	3.25	8.25	k $\Omega$	
Signal Detection	Frequency Range	-	Note 1	Note 1	-	
	Level: $V_{DD} = 5.0V$	-	-30 (24.5 mV)	0 (775 mV)	dBm	
	Level: $V_{DD} = 3.0V$	-	-33 (17.4 mV)	-3 (173.5 mV)	dBm	
	Duration	$f_c = 400$ Hz	-	85	-	ms
		$f_c = 950, 1400, 1800$ Hz	-	50	-	ms
	Bridge Time	-	-	15	ms	
Signal to Noise Ratio	-	-	16	-	dB	
Signal Rejection	Frequency Range	-	Note 1	Note 1	-	
	Level: $V_{DD} = 5.0V$	-	-	-40 (7.8 mV)	dBm	
	Level: $V_{DD} = 3.0V$	-	-	-43 (5.5 mV)	dBm	
	Duration	-	-	50	ms	
Outputs	Except X358	$V_{OL}$	$I_{SINK} = -1.0$ mA	-	0.5	V
		$V_{OH}$	$I_{SOURCE} = 1.0$ mA	$V_{DD} - 0.5$	-	V
	Dn pins only	$I_{OZ}$	$V_O = V_{DD}, V_{SS}$	-	1	$\mu$ A
Inputs	EN pin	$V_{IL}$	-	-	0.5	V
		$V_{IH}$	$V_{DD} = 5V$	$V_{DD} - 2.0$	-	V
	Pull-up and Pull-down currents	MODE = $V_{SS}$	$V_{DD} = 5V$	12.5	50	$\mu$ A
			$V_{DD} = 2.7V$	4	20	$\mu$ A
		/XRANGE + $V_{SS}$	-	2	6	$\mu$ A
			MODE2 = $V_{DD}$	$V_{DD} = 5V$	12.5	100
			$V_{DD} = 2.7V$	12.5	25	$\mu$ A
		PD = $V_{DD}$	-	4	10	$\mu$ A
	SIGIN pin	Voltage range	-	-6.5	$V_{DD}$	V
		Input impedance	$f = 500$ Hz	80	-	k $\Omega$
Input Spectrum		-	-	28	kHz	
Clock	External clock connected to XIN pin	$V_{IL}$	XOUT open	-	0.2	V
		$V_{IH}$	XOUT open	$V_{DD} - 0.2$	-	V
	XIN, XOUT with crystal ocs. active	Duty cycle	XOUT open	40	60	%
		Capacitance	-	-	10	pF
	X358 pin	Internal res.	-	20	-	M $\Omega$
		$V_{OL}$	$C_L = 20$ pF, $I_{SINK} = -1.0$ mA	-	0.5	V
			$V_{OH}$	$C_L = 20$ pF, $I_{SOURCE} = 1.0$ mA	$V_{DD} - 0.5$	-
Duty cycle	$C_L = 20$ pF	40	60	%		
Tri-state Operation	$t_{FN}$ (High Z to Low Z)	$C_L = 50$ pF	-	250	ns	
	$t_{DE}$ (Low Z to High Z)	RL = 100 K $\Omega$	-	250	ns	

Unless otherwise noted, specifications hold over  $V_{DD} - V_{SS} = 2.8V$  to 5.5V power supply, and  $T_{OL} -40^\circ C$  to +85°C.**Notes:**

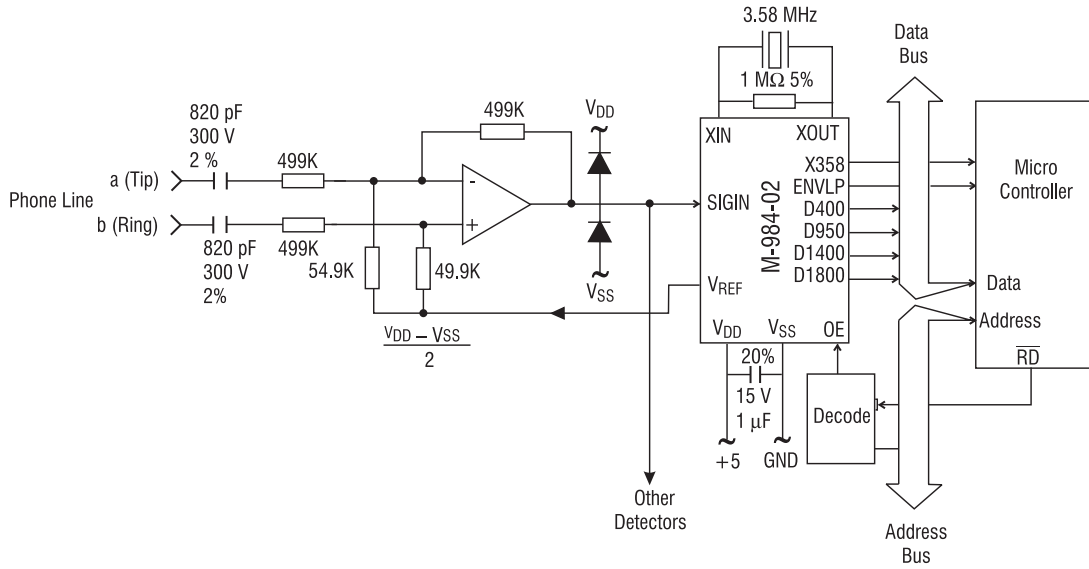
1. See the Detector Frequency Windows table on page 4 for detection/ rejection frequencies.

### Pin Functions

PIN	FUNCTION
XIN	Crystal Connection — 3.58 MHz crystal across these pins will produce the timebase needed for proper operation of the M-984-02. An external clock signal may be fed to XIN providing the clock signal has a duty cycle of $50 \pm 10\%$ and comes within 0.2 volts of the supply rails. XOUT remains unconnected when an external clock is used.
XOUT	
X358	A buffered output pin. A 3.58 MHz clock signal is available for use in other circuits as a timebase. Leave open when unused.
ENVLP	The ENVLP pin is a common detection indicator for the four detect pins. Simply put, the ENVLP is a logical "OR" of the active detect circuits for each of the four windows, though there is a delay provided to permit ENVLP to latch the first active detect pin. ENVLP is not tri-state controlled.
$V_{SS}$	The power supply pins, $V_{DD}$ being the most positive. Commonly, $V_{DD}$ is at 3-5 volts, while $V_{SS}$ is at ground.
$V_{DD}$	
SIGIN	Analog signal input. (Internally capacitively coupled.)
$V_{REF}$	$V_{REF}$ is a bias voltage generated in the chip for use in external analog circuits, such as active filters and AC-coupled buffers. Leave open when unused.
OE	The tri-state control pin. OE places the DET pins in the active mode when at logic "1". When at logic "0," OE causes the DET outputs to appear as high impedance. Should be tied to logic "1" when the M-984-02 is not used in a time-shared bus application.
D1800	The detect outputs associated with each window. Tri-state control is available through use of the OE pin. Timing is shown in the Timing Diagram on page 4.
D1400	
D950	
D400	



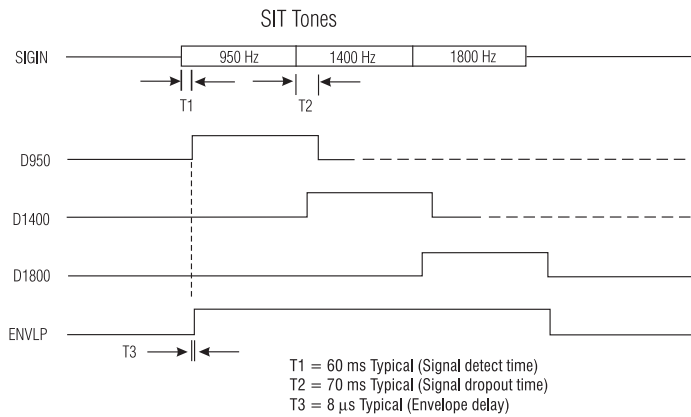
Typical Application



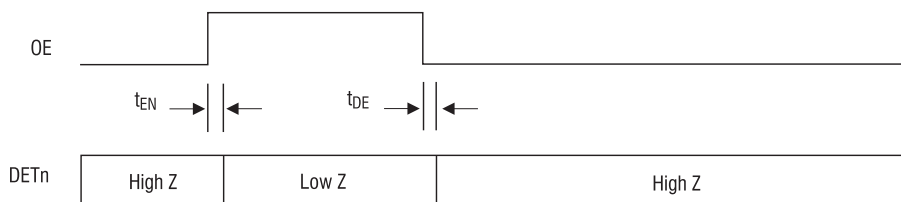
Detector Frequency Windows

Detector	Low Reject	Low Accept	High Accept	High Reject
D400	363	392	459	493
D950	835	885	1016	1070
D1400	1275	1328	1472	1527
D1800	1656	1722	1854	1924

Timing Diagram

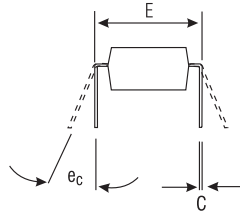
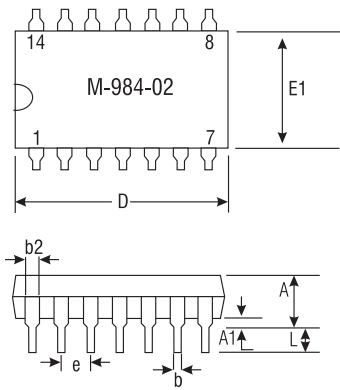


Tri-State Timing



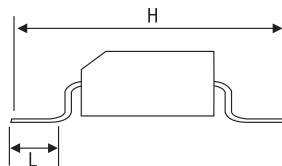
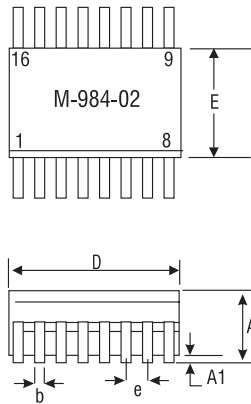
**Mechanical Dimensions**

**14-Pin DIP**



	Tolerances			
	Inches		Metric (mm)	
	Min	Max	Min	Max
A	-	.210	-	5.33
A1	.015	-	.38	-
b	.014	.022	.36	.56
b2	.045	.070	1.1	1.8
C	.008	.014	.20	.36
D	.735	.775	18.7	19.7
E	.300	.325	7.6	8.3
E1	.240	.280	6.1	7.1
e	.100 BSC		2.54 BSC	
ec	0°	15°	0°	15°
L	.115	.150	2.9	4.1

**16-Pin SOIC**



	Tolerances			
	Inches		Metric (mm)	
	Min	Max	Min	Max
A	.093	.104	2.35	2.65
A1	.004	.012	.10	.30
b	.013	.020	.33	.51
D	.398	.413	10.10	10.50
E	.291	.299	7.4	7.6
e	.050 BSC		1.27 BSC	
H	.394	.419	10.00	10.65
L	.016	.050	.40	1.27

Drawing not to scale.  
Does not reflect actual part marking.

Dimensions  
mm  
(inches)



### CLARE LOCATIONS

Clare Headquarters  
78 Cherry Hill Drive  
Beverly, MA 01915  
Tel: 1-978-524-6700  
Fax: 1-978-524-4900  
Toll Free: 1-800-27-CLARE

Clare Switch Division  
4315 N. Earth City Expressway  
Earth City, MO 63045  
Tel: 1-314-770-1832  
Fax: 1-314-770-1812

Clare Micronix Division  
145 Columbia  
Aliso Viejo, CA 92656-1490  
Tel: 1-949-831-4622  
Fax: 1-949-831-4628

### SALES OFFICES

#### AMERICAS

##### Americas Headquarters

Clare  
78 Cherry Hill Drive  
Beverly, MA 01915  
Tel: 1-978-524-6700  
Fax: 1-978-524-4900  
Toll Free: 1-800-27-CLARE

##### Eastern Region

Clare  
603 Apache Court  
Mahwah, NJ 07430  
Tel: 1-201-236-0101  
Fax: 1-201-236-8685  
Toll Free: 1-800-27-CLARE

##### Central Region

Clare Canada Ltd.  
3425 Harvester Road, Suite 202  
Burlington, Ontario L7N 3N1  
Tel: 1-905-333-9066  
Fax: 1-905-333-1824

##### Western Region

Clare  
1852 West 11th Street, #348  
Tracy, CA 95376  
Tel: 1-209-832-4367  
Fax: 1-209-832-4732  
Toll Free: 1-800-27-CLARE

##### Canada

Clare Canada Ltd.  
3425 Harvester Road, Suite 202  
Burlington, Ontario L7N 3N1  
Tel: 1-905-333-9066  
Fax: 1-905-333-1824

### EUROPE

#### European Headquarters

CP Clare nv  
Bampsiaan 17  
B-3500 Hasselt (Belgium)  
Tel: 32-11-300868  
Fax: 32-11-300890

#### France

Clare France Sales  
Lead Rep  
99 route de Versailles  
91160 Champlan  
France  
Tel: 33 1 69 79 93 50  
Fax: 33 1 69 79 93 59

#### Germany

Clare Germany Sales  
ActiveComp Electronic GmbH  
Mitterstrasse 12  
85077 Manching  
Germany  
Tel: 49 8459 3214 10  
Fax: 49 8459 3214 29

#### Italy

C.L.A.R.E.s.a.s.  
Via C. Colombo 10/A  
I-20066 Melzo (Milano)  
Tel: 39-02-95737160  
Fax: 39-02-95738829

#### Sweden

Clare Sales  
Comptronic AB  
Box 167  
S-16329 Spånga  
Tel: 46-862-10370  
Fax: 46-862-10371

#### United Kingdom

Clare UK Sales  
Marco Polo House  
Cook Way  
Bindon Road  
Taunton  
UK-Somerset TA2 6BG  
Tel: 44-1-823 352541  
Fax: 44-1-823 352797

### ASIA/PACIFIC

#### Asian Headquarters

Clare  
Room N1016, Chia-Hsin, Bldg II,  
10F, No. 96, Sec. 2  
Chung Shan North Road  
Taipei, Taiwan R.O.C.  
Tel: 886-2-2523-6368  
Fax: 886-2-2523-6369

<http://www.clare.com>

---

*Clare, Inc. makes no representations or warranties with respect to the accuracy or completeness of the contents of this publication and reserves the right to make changes to specifications and product descriptions at any time without notice. Neither circuit patent licenses nor indemnity are expressed or implied. Except as set forth in Clare's Standard Terms and Conditions of Sale, Clare, Inc. assumes no liability whatsoever, and disclaims any express or implied warranty, relating to its products including, but not limited to, the implied warranty of merchantability, fitness for a particular purpose, or infringement of any intellectual property right.*

*The products described in this document are not designed, intended, authorized or warranted for use as components in systems intended for surgical implant into the body, or in other applications intended to support or sustain life, or where malfunction of Clare's product may result in direct physical harm, injury, or death to a person or severe property or environmental damage. Clare, Inc. reserves the right to discontinue or make changes to its products at any time without notice.*

---

Specification: DS-M-984-02-R3  
©Copyright 2001, Clare, Inc.  
All rights reserved. Printed in USA.  
7/17/01