

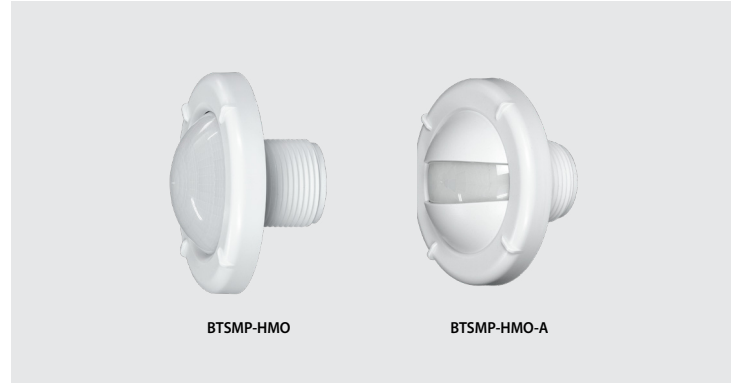


BTSMF SERIES

BLUETOOTH® HIGH MOUNT OUTDOOR PASSIVE INFRARED FIXTURE SENSOR

FEATURES

- Passive Infrared (PIR) sensing technology provides excellent major motion detection
- Wireless programming using HCS controlHUBB mobile app
- 0-10V Dimming control
- Single/Dual motion sensor timer modes
- Daylight sensor with multiple daylight harvesting modes
- 360° and aisle coverage options
- Supports low temperature, water-tight and outdoor applications



BTSMF-HMO

BTSMF-HMO-A



RELATED PRODUCTS

- [BTSMF Low Mount Outdoor Sensor](#)
- [BTSMF Low Mount Indoor Sensor](#)
- [BTSMF OMNI Sensor](#)
- [BTSMF OMNI Outdoor Sensor](#)

SPECIFICATIONS

CONSTRUCTION

- ABS (UL-945VA) flame class rating, UV inhibitors
- 4.0 oz (113.0g)
- White, Black, Gray finishes available
- External: 1.0" (25.4mm) H, 3.5"(84.6mm) W
- Internal Thread: 1.3" (27.94mm) L, 1.4" (35.6mm) W

ELECTRICAL

- Low Voltage sensors: 12-24VDC (Requires Dim to Off driver with auxiliary power or low voltage power supply - Not included)
- Dimming: 0-10V; Capable of sinking up to 30mA
- Bluetooth Radio: V5.0

OPERATION

- Indoor/Outdoor use
- 1:1.4 (Mounting Height : Coverage Radius); Up to 45ft Indoors, 40ft Outdoors; Minimum Mounting Height: 16ft
- Operating temperature: -40°F to 149°F (-40°C to 65°C)
- Wireless programming of sensor settings using HCS ControlHUBB™ Bluetooth app. Maximum programming distance: 45 Ft
- Easy to use slider controls for sensor settings

OPERATION (CONTINUED)

- Motion sensor and photosensor test modes
- Configurable LED motion indicator
- Single/Dual Motion Sensor Timer Modes
 - Single Timer Mode: Timer (0 sec - 30 mins), Level Adjustment (0-100%)
 - Dual Timer Mode: Timer 1 (0 sec - 30 mins), Level Adjustment (0-100%), Timer 2 (0 min - 5 hrs)
- Multiple Daylight Harvesting Modes
 - Full range dimming with auto configuration (closed loop operation)
 - Legacy dimming (open loop operation)
 - Dusk to dawn (On/Off operation)
 - Disabled (Default)
- Device Cloning: Sensor settings can be saved to device profiles and then cloned to other sensors
- Patented Intelliscope™ technology showing real-time occupancy data
- Security
 - Passcode protection to prevent unwanted changes
- Factory Defaults: Sensor can be set to factory defaults using the app.
- Over the Air (OTA) firmware updatable

OPERATION (CONTINUED)

- Dual element pyrometer and spherical Fresnel lens designed for robust detection of person walking

DAYLIGHT SENSOR

- Range: 1 to 50fc or 5 to 500fc

CERTIFICATIONS

- Conforms with UL STD 508, UL STD 244A
- IP65 Rated

WARRANTY

- 5 year limited
- See [HLI Standard Warranty](#) for additional information

BTSMP SERIES

BLUETOOTH® HIGH MOUNT OUTDOOR PASSIVE INFRARED FIXTURE SENSOR

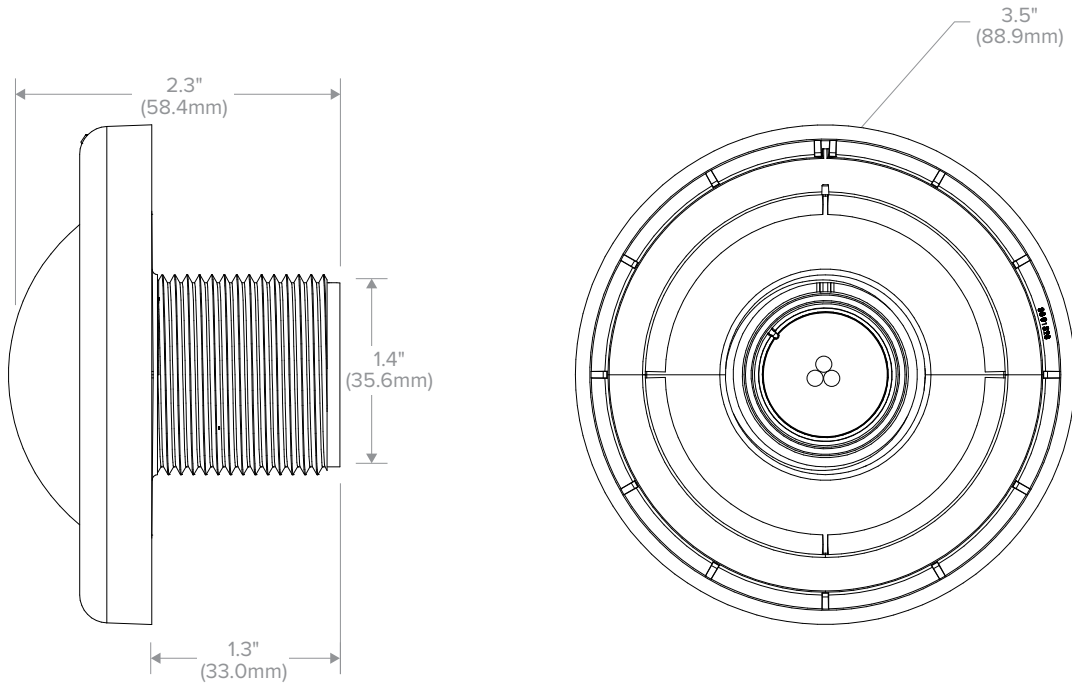
ORDERING GUIDE

Example: BTSMP-HMO, BTSMP-HMO-A-BK

CATALOG #

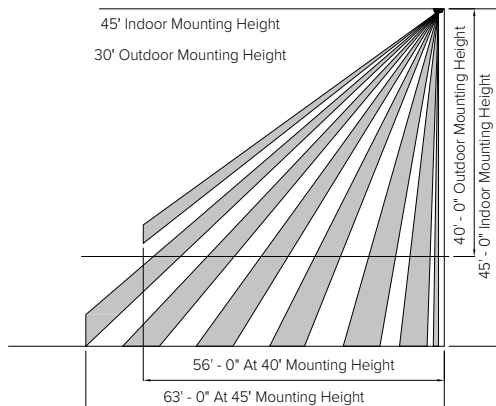
BTSMP		Sensor Type		Color	
Model		HMO	HMO-A	Blank	BK
BTSMP	Bluetooth Sensor Module with Passive Infrared Sensing Technology, 24VDC	High Mount Outdoor, 360° Lens	High Mount Outdoor, Aisle Lens	White	Black
				Gray	

DIMENSIONS

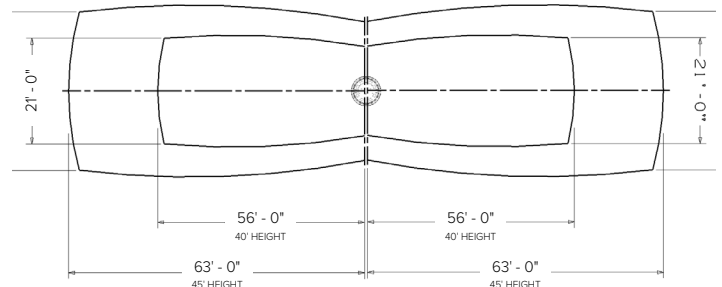


ADDITIONAL INFORMATION

Coverage Patterns



Sensor Lens Coverage and Detection Patterns When Mounted at 40ft and 45ft with Standard Lens



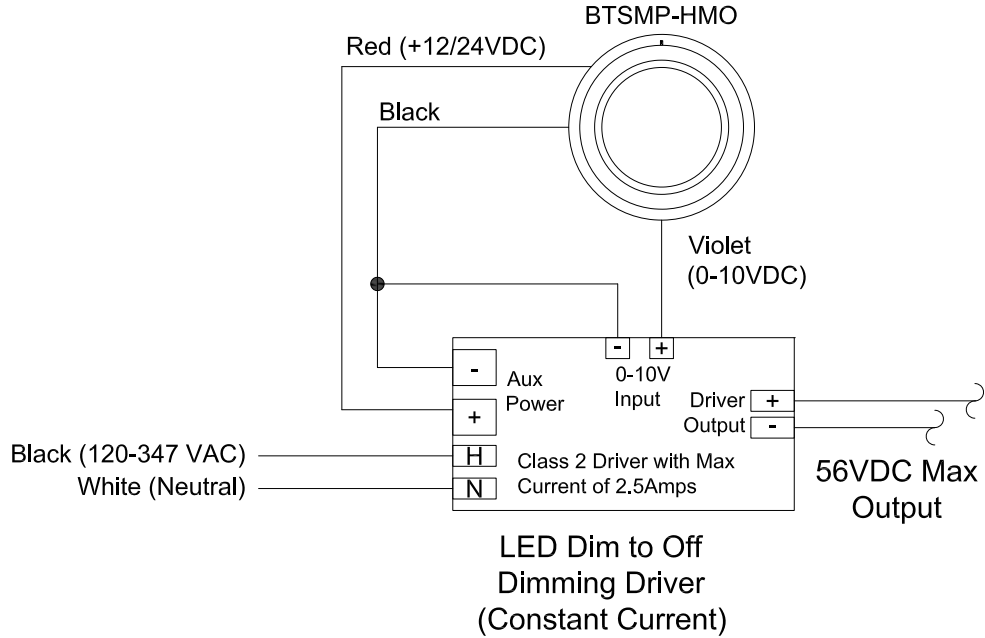
Sensor Lens Coverage and Detection Patterns When Mounted at 40ft and 45ft with Aisle Lens (Top Down View)

BTSMP SERIES

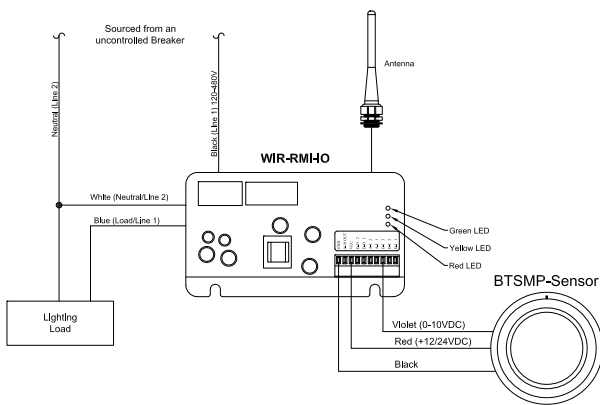
BLUETOOTH® HIGH MOUNT OUTDOOR PASSIVE INFRARED FIXTURE SENSOR

ADDITIONAL INFORMATION (CONTINUED)

Wiring Diagrams

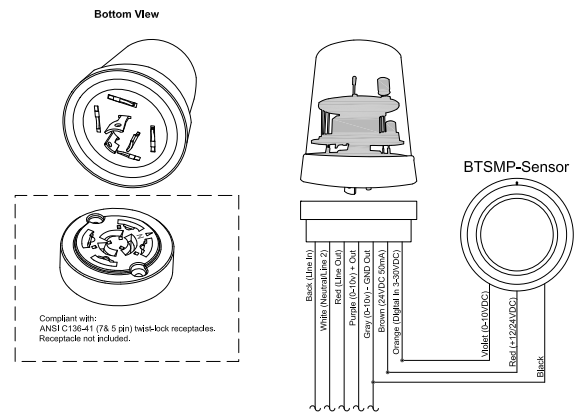


BTSMP Sensor Connected to Dim to OFF Driver with Aux Supply (+12/24VDC)



NOTE: Disconnect power prior to installation.

wiSCAPE® Wiring Diagram with WIR-RMI-IO with a BTSMP Sensor



NOTE: Disconnect power prior to installation.

wiSCAPE Wiring Diagram with WIR-RME-L with a BTSMP Sensor