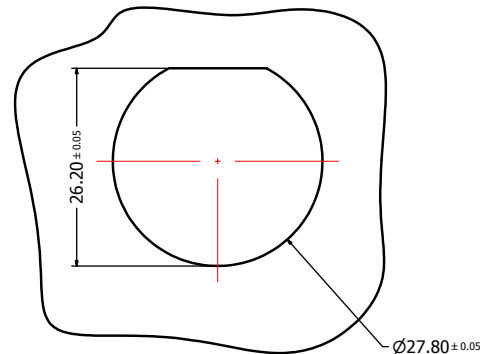
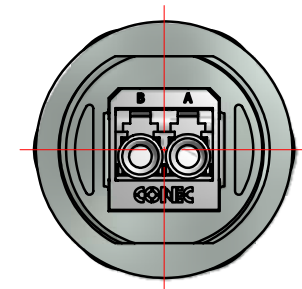
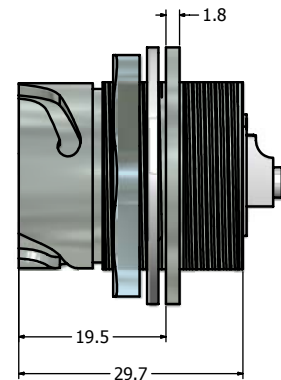
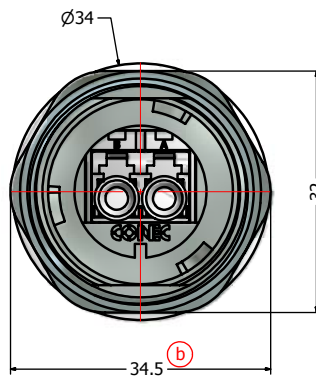
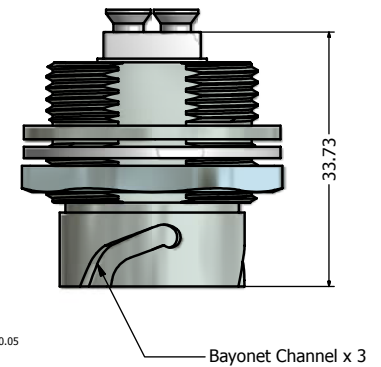


Recommended Double-D Panel Cutout (b)



Recommended Single-D Panel Cutout (b)



Notes:

- Material and Finish:
 - Receptacle Housing: Zinc Die-Cast, Nickel Plated
 - Panel Nut: Brass, Finish: Nickel Plated
 - Panel Gasket: Silicone, Color: White
- Duplex LC Adaptor Assembly:
 - Housing: Mod. PPO, UL94 V-0, Color: **SM Blue/MM Beige/APC SM Green**
 - Alignment Sleeves: SM Ceramic/MM Phosphor Bronze
 - Dust Cap: PP, Color: Neutral transparent
 - Operating Temperature: -40°C to +85°C
- Connector can be front or rear mounted to a maximum panel thickness of 3.2mm.
- IP67 rated when covered or fully mated with the appropriate mating connector
- RoHS compliant

Description	Part Number
Single Mode (SM)	17-300060
Multi Mode (MM)	17-300070
(b) APC Single Mode (APC SM)	17-300180

Directive 2002/95/EC RoHS Compliant

THIS DRAWING MAY NOT BE COPIED, OR REPRODUCED IN ANY WAY AND MAY NOT BE PASSED ON TO A THIRD PARTY WITHOUT WRITTEN PERMISSION. OWNERSHIP AND COPYRIGHT OF CONECC CORPORATION.	Customer:		Tolerance Unless otherwise specified			Scale: 1.5:1	Dim. in mm	
	Name	Title	Approval Date	0 PLC ±0.30		1 PLC ±0.20	2 PLC ±0.10	3 PLC ±0.05
				2008	Date	Name	Material: See Notes	
				Draw.	Jun. 03	Vincent Ke	Title: IP67 Industrial Duplex LC Receptacle Assembly Kit	
			Appd.	Jun. 03	J. Chaudry	Nickel Plated Die-Cast Version		
			Norm			Drawing No.: 17K1A171		
			D-old			Part No.: SEE PART NUMBER TABLE		
	b	Feb/25/2011	Vincent Ke			DIN A3		
	a	original				Sheet 1/1		
Rev.	Changes	Date	Name					