

CONCEALED HINGE



Specifications

- Material: Steel
- Finish:
 - Body: Zinc plated
 - Welding Part: Copper plated

Features

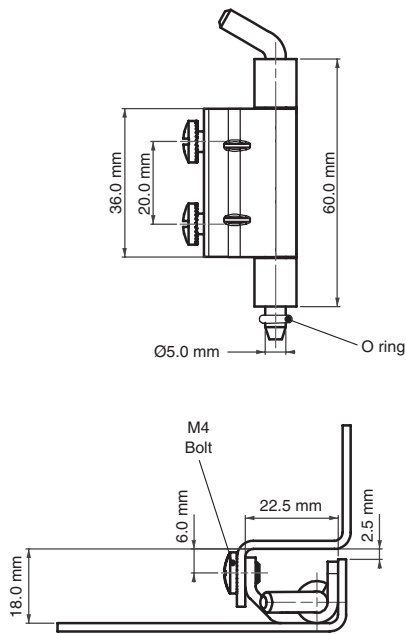
- For doors with a bend of:
 - Version 1: 18 mm
 - Version 2: 18.5 mm
- Frame part screwed on, door part either welded or screwed on
- Suitable for left-hand and right-hand applications
- Applications: Electric panels, machinery covers

Note: Bolts are not supplied

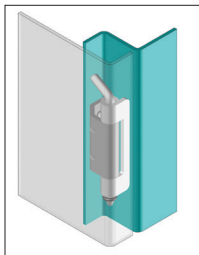
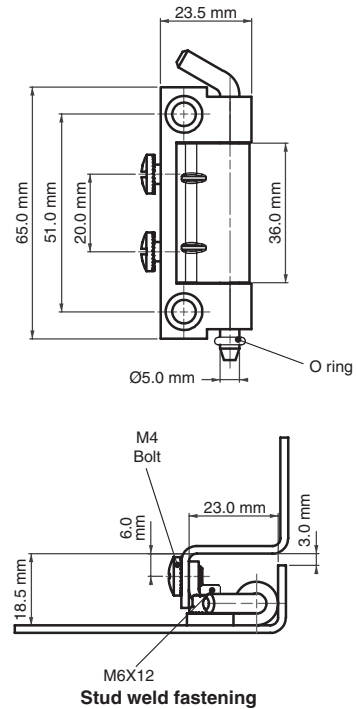
Version 1

Version 2

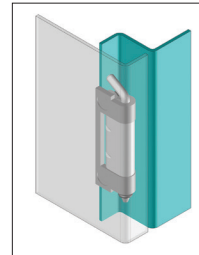
Version 1



Version 2



Hinge Rotation Angle



Item Number	Hinge Rotation	Material	Finish	Version
695631	120°	Steel	Zinc	1
695632	120°	Steel	Zinc	2