

REV. Status

REVISION -  
01/09/92 HA

REVISION A  
TEMECULA  
WAS CARSON  
5/24/95 TS

REVISION B  
NEW  
FORMAT  
7/01/98 TS

REVISION C  
CHANGED PIN  
LENGTH TO  
2.5mm MIN.  
01/19/01 TS

.625" LOW PROFILE TELECOMMUNICATION TRANSFORMER 600 : 600/600 SPLIT

A. Electrical Specifications (@ 25 ° C)

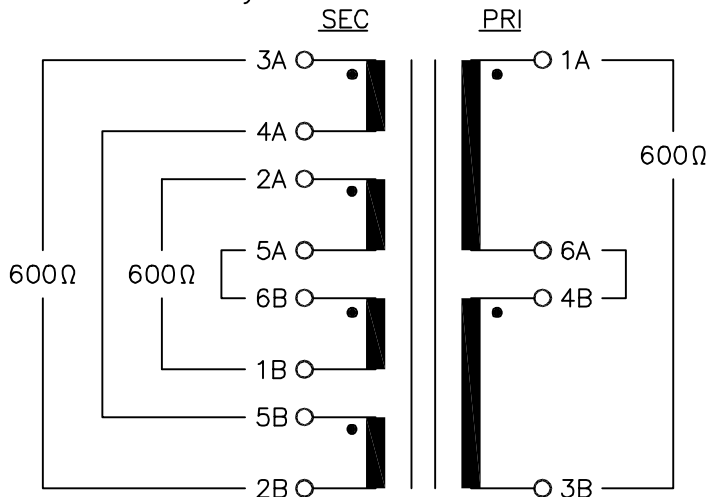
1. Pri Source Impedance; 600Ω
2. Sec Load Impedance; 600Ω/600Ω
3. Pri DC Current; 80mA MAX
4. Operating Level; -45dBm to +7dBm
5. Insertion Loss; 1.5dB MAX @ 1KHz, 0dBm, DC80mA.
6. Frequency Response (relative to 1KHz) ±0.5dB @ 300Hz to 3.5KHz, 0dBm, DC80mA
7. Return Loss; 26dB TYP @ 1000Ω load, 17dB TYP @ 1200Ω load
8. Longitudinal Balance; 60dB MIN @ 200Hz to 1KHz 40dB MIN @ 4KHz
9. DC Resistance; (Pri) = 100Ω MAX (Sec) = 190Ω MAX
10. Turns Ratio; (Pri) : (Sec) = 1 : 1.416 ±2%
11. Dielectric Strength; 1500Vrms 1 minute @ Pri to Sec, Pri to Core 1000Vrms 1 minute @ Sec to Core 150Vrms 1 minute @ Sec to Sec
12. Note: All testing will be calibrated based on 600Ω vs 1200ΩCT impedance matching and connection

B. Marking; TAMURA, TTC-129, MICROTRAN, T9220, safety agency logos, 196-date code and country of origin

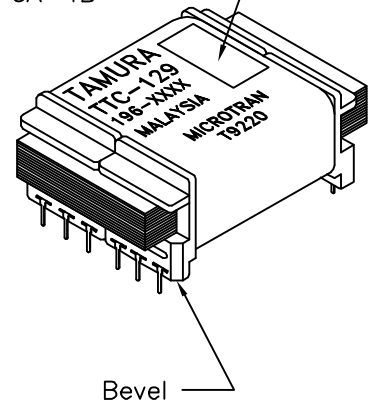
C. Safety: CSA C22.2 No. 66-M1988 File No. LR81383 UL 1863 File No. E142035

D. Schematic Diagram

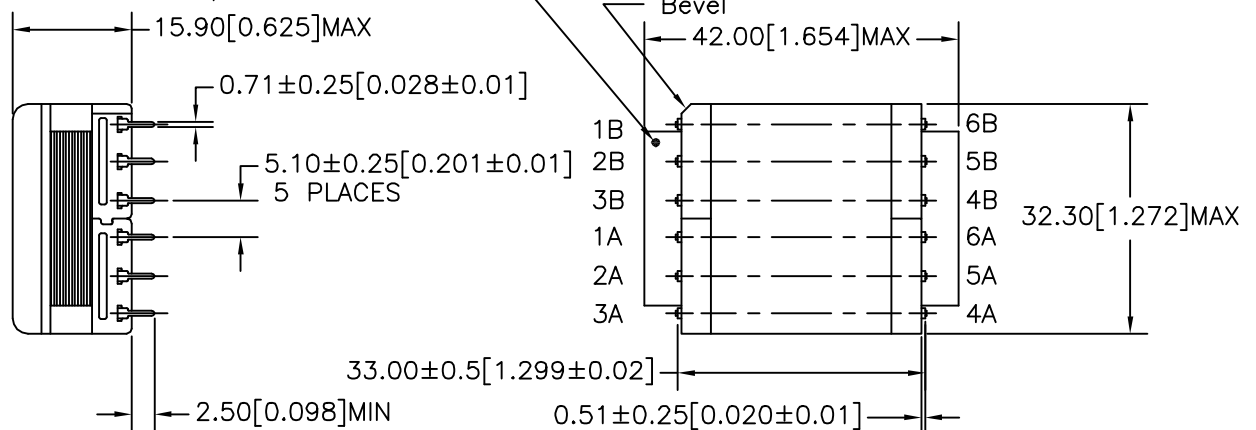
Necessary external connections: Short 4A-5B, 5A-6B, 6A-4B



SAFETY APPROVAL LOGOS



E. Mechanical Specifications



PREPARED BY:

D. Rund

ENGINEER:

T. Shiozawa

QUALITY CONTROL

D. Kelley

APPROVED:

D. Kelley

DWG CONTROL NO.  
P-A1-10347  
ACAD\TTC\A1103471.DWG

REV  
C

TELECOMMUNICATION COUPLING  
TRANSFORMER

**TAMURA CORPORATION OF AMERICA**  
43352 BUSINESS PARK DRIVE, TEMECULA, CA. 92590-6624  
(909) 699-1270 FAX 9096769482

**TTC-129**

MODEL SPECIFICATION

DIM: mm(In) | SCL: 1/1 | SH: 1 OF 1

PROPRIETARY NOTICE: THIS DRAWING PRINT OR DOCUMENT AND SUBJECT MATTER DISCLOSED HEREIN ARE PROPRIETARY ITEMS TO WHICH TAMURA RETAINS THE EXCLUSIVE RIGHT OF DISSEMINATION, REPRODUCTION, MANUFACTURE AND SALE. THIS DRAWING, PRINT OR DOCUMENT IS SUBMITTED IN CONFIDENCE FOR CONSIDERATION BY THE RECIPIENT ALONE UNLESS PERMISSION FOR FURTHER DISCLOSURE IS EXPRESSLY GRANTED IN WRITING.

MODEL NUMBER

TTC-129