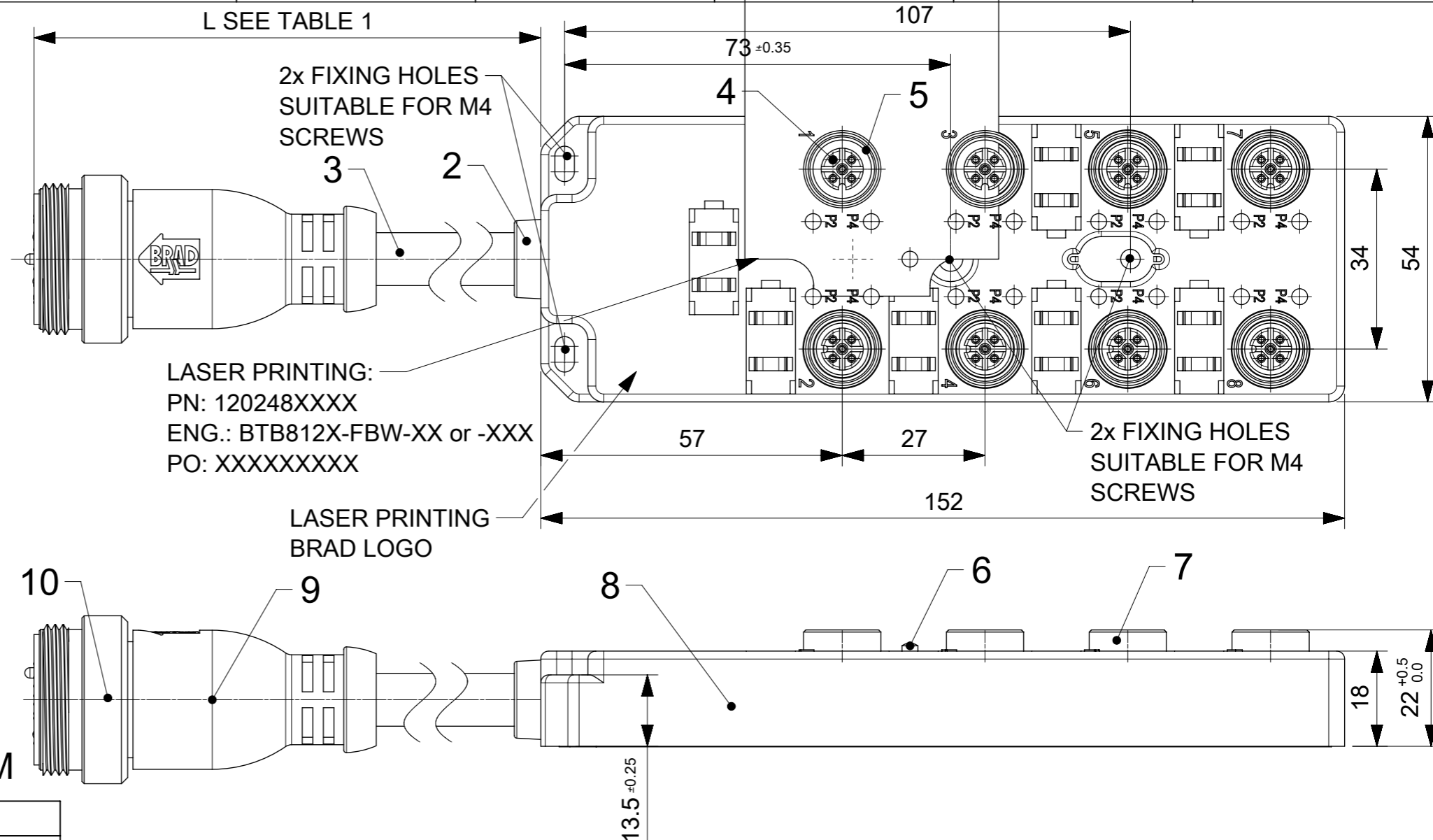
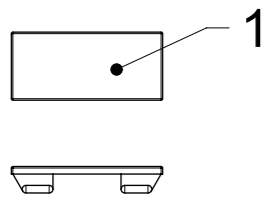


TABLE 1

MOLEX P/N	ENG. NO.	CABLE LENGTH (mm)	LED
1202480088	BTB812P-FBW-003	300	YES
1202480100	BTB812P-FBW-01	1000	YES
1202480101	BTB812P-FBW-05	5000	YES
1202480102	BTB812P-FBW-10	10000	YES
1202480095	BTB812N-FBW-003	300	YES
1202480096	BTB812N-FBW-01	1000	YES
1202480097	BTB812N-FBW-05	5000	YES
1202480098	BTB812N-FBW-10	10000	YES
1202480099	BTB8120-FBW-003	300	NO
1202480092	BTB8120-FBW-01	1000	NO
1202480093	BTB8120-FBW-050	5000	NO
1202480094	BTB8120-FBW-10	10000	NO



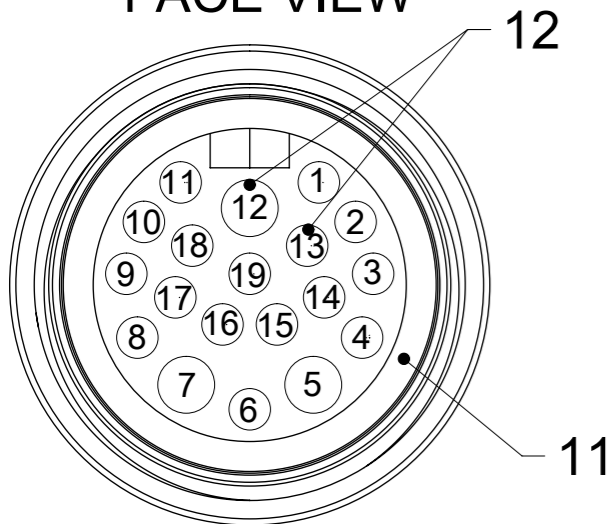
LABEL
9x packed in a bag.



WIRING DIAGRAMM

PIN	COLOR
1	VIOLET
2	RED
3	GREY
4	RED/BLUE
5	BLUE
6	GREEN
7	BROWN
8	WHITE/GREEN
9	WHITE/YELLOW
10	WHITE/GREY
11	BLACK
12	YELLOW/GREEN
13	YELLOW/BROWN
14	BROWN/GREEN
15	WHITE
16	YELLOW
17	PINK
18	GREY/BROWN
19	GREY/PINK

**19 POLE MALE
FACE VIEW**

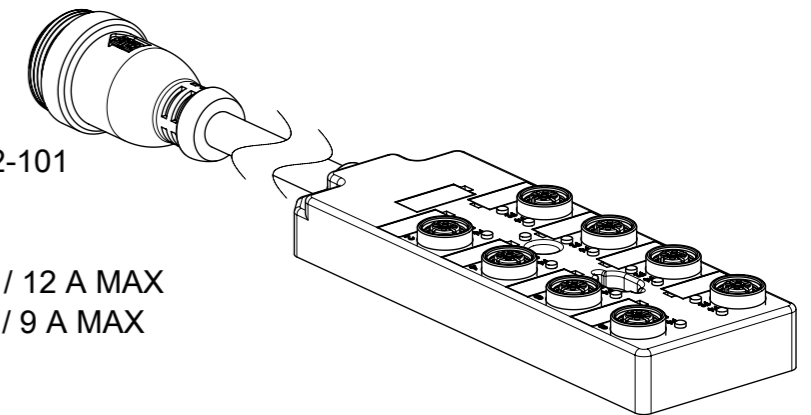


SCALE 2:1

GENERAL CHARACTERISTICS:

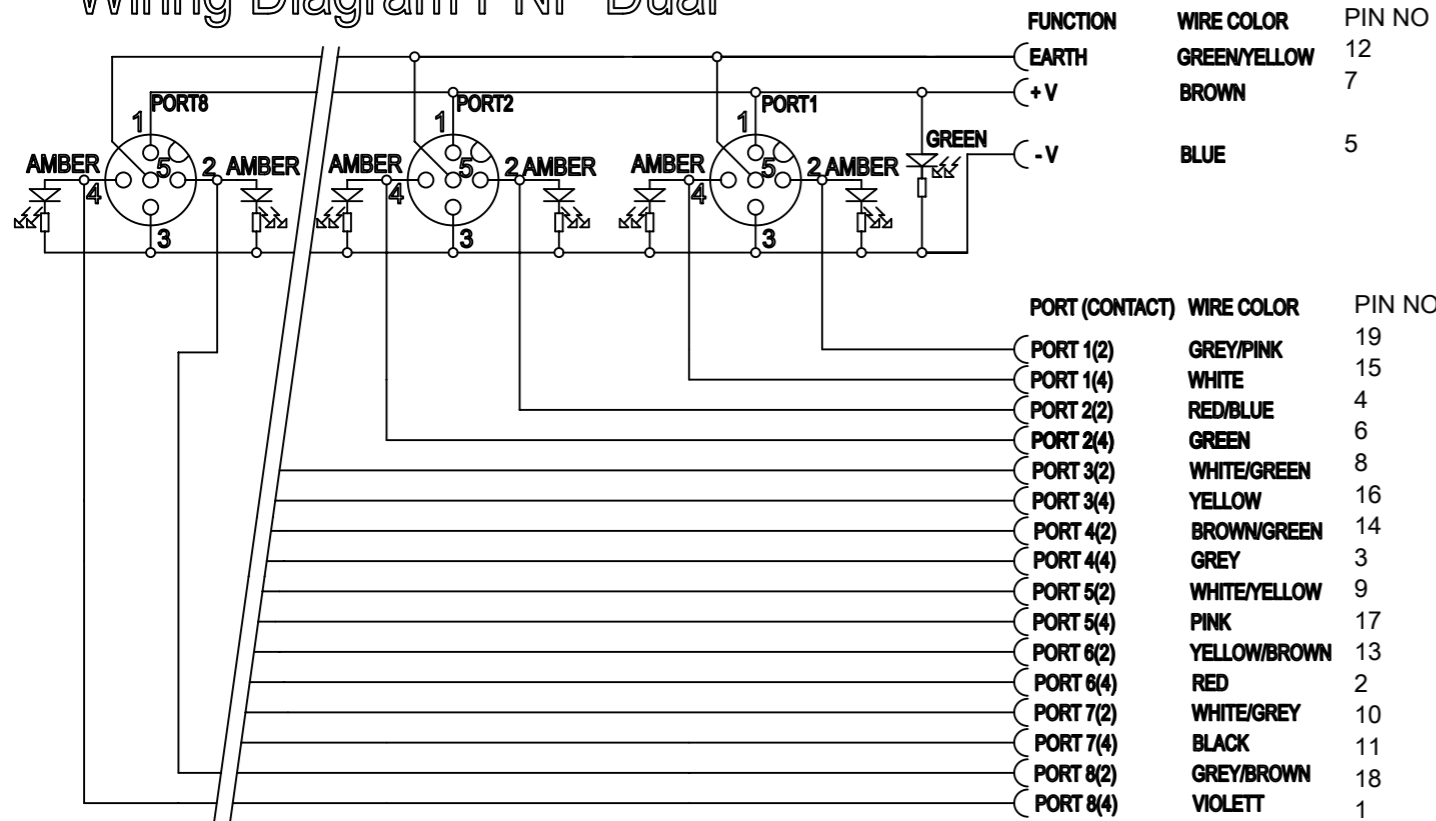
ELECTRICAL AND MECHANICAL DATA ACC. TO IEC 61076-2-101

NOMINAL VOLTAGE: 10-30 V DC
 AMPERE RATING: 4 A PER PORT / 12 A MAX
 AMPERE RATING WITH UL REGISTRATION: 3 A PER PORT / 9 A MAX
 IP DEGREE OF PROTECTION: IP 67
 TEMPERATURE RANGE: -25°C to + 85°C



SYMBOLS	THIS DRAWING CONTAINS INFORMATION THAT IS PROPRIETARY TO MOLEX ELECTRONIC TECHNOLOGIES, LLC AND SHOULD NOT BE USED WITHOUT WRITTEN PERMISSION	CURRENT REV DESC: LASER PRINT EDIT					
	DIMENSION UNITS: mm SCALE: 1:1 GENERAL TOLERANCES (UNLESS SPECIFIED): ANGULAR TOL: ± °	EC NO: 606042 DRWN: MDHARMANTI 2018/08/30 CHK'D: RSILLER 2018/10/18 APPR: RSILLER 2018/10/18					MPIS M12 PNP 5P 8PT AC FE STR XM 19 P MC MA
4 PLACES ± 3 PLACES ± 2 PLACES ± 1 PLACE ± 0 PLACES ± 0.25	INITIAL REVISION: DRWN: ULETENMEIER 2016/08/18 APPR: RSILLER 2016/09/28		PRODUCT CUSTOMER DRAWING				
DRAFT WHERE APPLICABLE MUST REMAIN WITHIN DIMENSIONS	THIRD ANGLE PROJECTION	DRAWING: A3-SIZE	SERIES: 120248	DOCUMENT NUMBER: 1202480088	DOC TYPE: PSD	DOC PART: 000	REVISION: B
MATERIAL NUMBER: SEE TABLE 1 CUSTOMER: GENERAL MARKET				SHEET NUMBER: 1 OF 2			

Wiring Diagram PNP Dual



Wiring Diagram NPN Dual

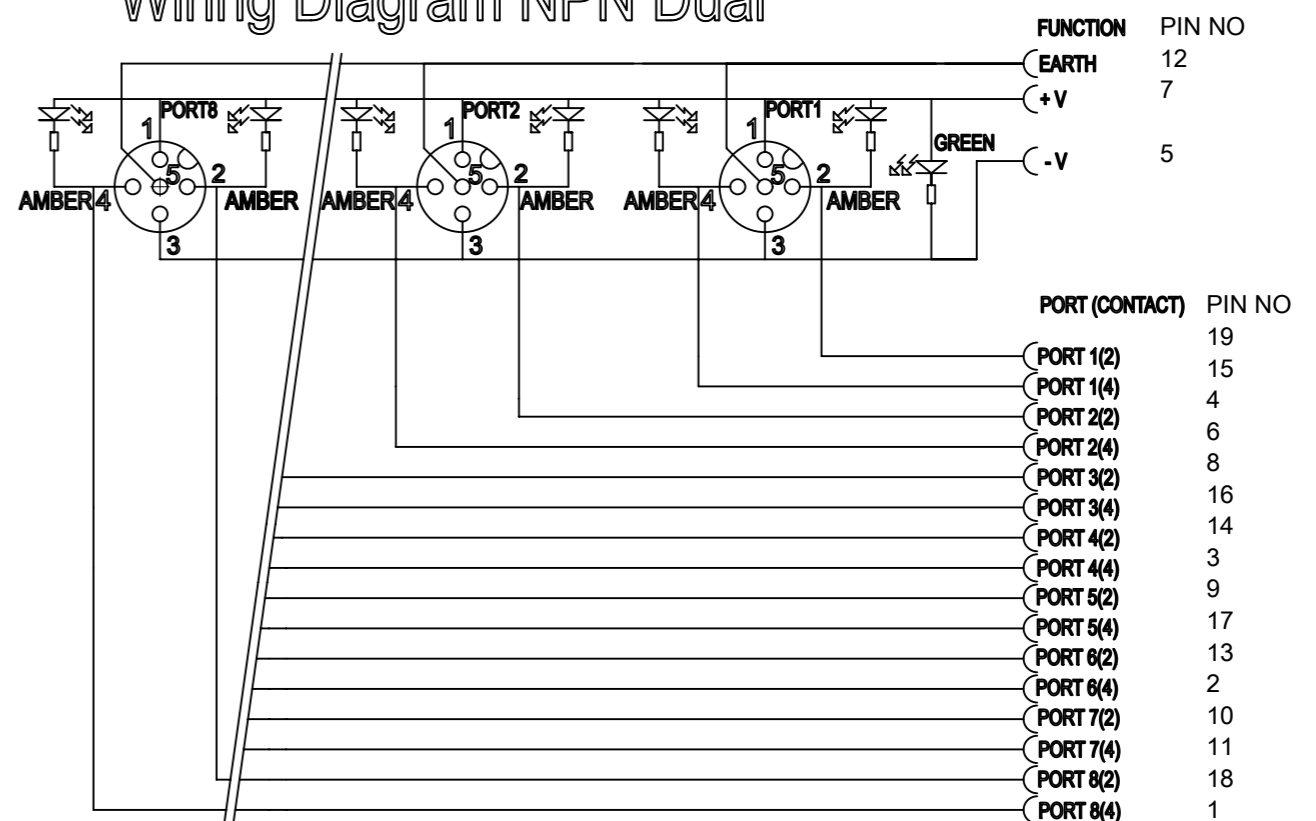
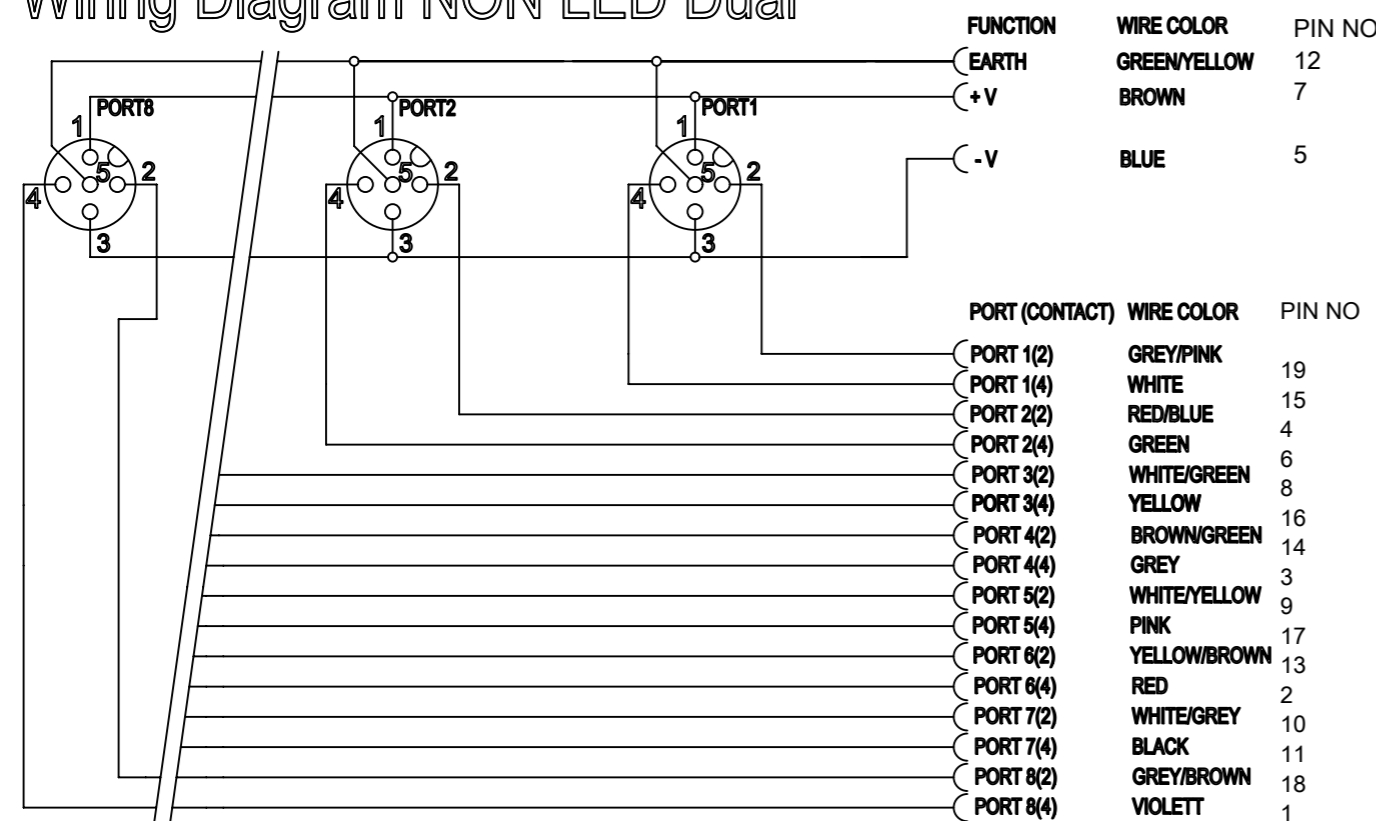


TABLE 2 BILL OF MATERIAL

ITEM	DESCRIPTION	MATERIAL	FINISH
1	LABEL	ABS	WHITE
2	CABLE PLATE	PBT	BLACK
3	CABLE	TPU BASED	BLACK
4	CONTACT	BRASS	GOLD OVER NICKEL
5	O-RING	FPM	RED
6	LED	NO LED = PA	BLACK
		WITH LED = PA	TRANSPARENT
7	SHELL	BRASS	NICKEL PLATED
8	HOUSING	PBT	BLACK
9	OVERMOLDING	PVC	YELLOW
10	COUPLING NUT	ZINC DIE CAST	BLACK
11	INSERT 7 POLE	PVC	BLACK
12	CONTACT	BRASS	GOLD OVER NICKEL

Wiring Diagram NON LED Dual



SYMBOLS	THIS DRAWING CONTAINS INFORMATION THAT IS PROPRIETARY TO MOLEX ELECTRONIC TECHNOLOGIES, LLC AND SHOULD NOT BE USED WITHOUT WRITTEN PERMISSION		CURRENT REV DESC: LASER PRINT EDIT	
	DIMENSION UNITS	SCALE		
▽ = 0	mm	1:1		
▽ = 0	GENERAL TOLERANCES (UNLESS SPECIFIED)			
▽ = 0	ANGULAR TOL	±	°	
▽ = 0	4 PLACES	±		
▽ = 0	3 PLACES	±		
▽ = 0	2 PLACES	±		
▽ = 0	1 PLACE	±		
▽ = 0	0 PLACES	± 0.25		
■ = 0	DRAFT WHERE APPLICABLE MUST REMAIN WITHIN DIMENSIONS			
▽ = 0	THIRD ANGLE PROJECTION	DRAWING	SERIES	MATERIAL NUMBER
		A3-SIZE	120248	SEE TABLE 1
		EC NO: 606042		
		DRWN: MDHARMANTI	2018/08/30	
		CHK'D: RSILLER	2018/10/18	
		APPR: RSILLER	2018/10/18	MPIS M12 PNP 5P 8PT AC FE STR XM 19 P MC MA
		INITIAL REVISION:		PRODUCT CUSTOMER DRAWING
		DRWN: ULETENMEIER	2016/08/18	DOCUMENT NUMBER
		APPR: RSILLER	2016/09/28	1202480088
				DOC TYPE DOC PART REVISION
				PSD 000 B
				SHEET NUMBER
				2 OF 2