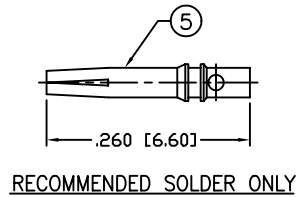
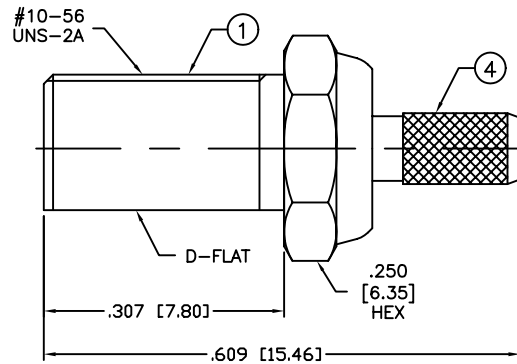
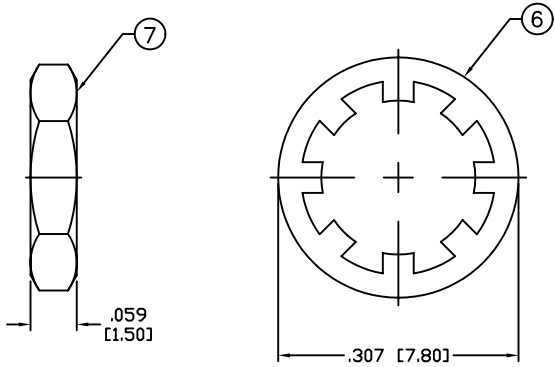


THIS DRAWING CONTAINS INFORMATION PROPRIETARY TO RF INDUSTRIES.
 ANY UNAUTHORIZED USE OF THIS DRAWING IS EXPRESSLY PROHIBITED
 WITHOUT WRITTEN PERMISSION FROM RF INDUSTRIES.
 ANY VIOLATION IS PUNISHABLE UNDER U.S. COPYRIGHT LAWS.

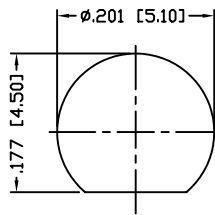
ALL DIMENSIONS ARE REFERENCE ONLY

PART NO.		RMX-8252-1B		
REV	DESCRIPTION	DWN	DATE	APPROVED
-	ENGINEERING RELEASE	CZS	9/8/99	JDMc

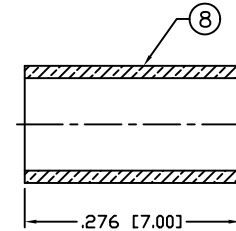


SPECIFICATIONS:

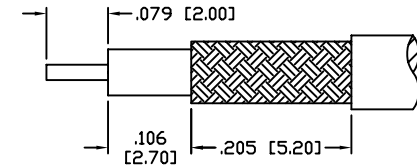
IMPEDANCE: 50 Ohms
 FREQUENCY RANGE: 0-6 GHz
 WORKING VOLTAGE: 335 V rms @ sea level
 VSWR: 1.3 MAX.
 TEMPERATURE RANGE: -65°C TO 165°C
 INSULATION RESISTANCE: 1k M Ohms min.
 FOR RG-174, 188, 188A, 316/U, ALPHA 9174, 9316,
 BELDEN 8216, 83269, 83284, 84316 & TIMES LMR-100A CABLE



RECOMMENDED MOUNTING HOLE



RECOMMENDED CRIMP DIE: .130"



RECOMMENDED STRIPPING DIM'S

1	BODY	1	BRASS	GOLD, 3μ"	008974	UNLESS OTHERWISE SPECIFIED:	
2	INSULATOR	1	PTFE	---			
3	INSULATOR	1	PTFE	---			
4	FERRULE STUD	1	BRASS	GOLD, 3μ"			
5	CONTACT	1	Be. Cu.	GOLD, 30μ"			
6	LOCK WASHER	1	BRASS	GOLD, 3μ"			
7	HEX NUT	1	BRASS	GOLD, 3μ"			
8	FERRULE	1	COPPER	GOLD, 3μ"			
9							
10					DRAWN	DIMENSIONS ARE IN INCHES AND [MILLIMETERS] UNLESS OTHERWISE NOTED TOLERANCES ARE:	
11					C. ZUNIGA		DECIMALS
12					CHECKED		
13							
14					ORJ DRAWN	6/21/04	
					C. ZUNIGA	6/21/04	
#	DESCRIPTION	QTY	MATERIAL	FINISH	APPROVALS	DATE	

RF connectors
 DIVISION OF RF INDUSTRIES, LTD.

7610 MIRAMAR RD
 SAN DIEGO, CA 92126
 (858) 549-6340
 (858) 549-6345 FAX

MCX JACK, CRIMP

BULKHEAD

SIZE	CABLE GROUP	DWG NO.	REV
A	B	RMX-8252-1B	-
SCALE: NTS		CAD FILE OUTLINE	SHEET 1 OF 1