

Labeling plate for potentiometer, black label, without inscription, Outer diameter 40 mm

product brand name	SIRIUS ACT
product designation	Labeling plate
design of the product	for potentiometers
product type designation	3SU1

**General technical data**

protection class IP	IP66, IP67, IP69(IP69K)
shock resistance for railway applications according to EN 61373	Category 1, Class B
vibration resistance for railway applications according to EN 61373	Category 1, Class B
Substance Prohibittance (Date)	10/01/2014

**Ambient conditions**

ambient temperature	
<ul style="list-style-type: none"> <li>during operation</li> <li>during storage and transport</li> </ul>	70 ... -25 °C 80 ... -40 °C

**Accessories**

material of accessory	Plastic
fastening method of label	without
marking of the name plate for command devices	ohne
shape of the name plate for command devices	round
color of the label	black (plate); white (text)

**Certificates/ approvals**

General Product Approval	Declaration of Conformity
--------------------------	---------------------------



[Confirmation](#)



**Test Certificates Marine / Shipping**

[Type Test Certificates/Test Report](#)



**other**

Further information

Information- and Downloadcenter (Catalogs, Brochures,...)

<https://www.siemens.com/ic10>

Industry Mall (Online ordering system)

<https://mall.industry.siemens.com/mall/en/en/Catalog/product?mlfb=3SU1900-0BG16-0AA0>

Cax online generator

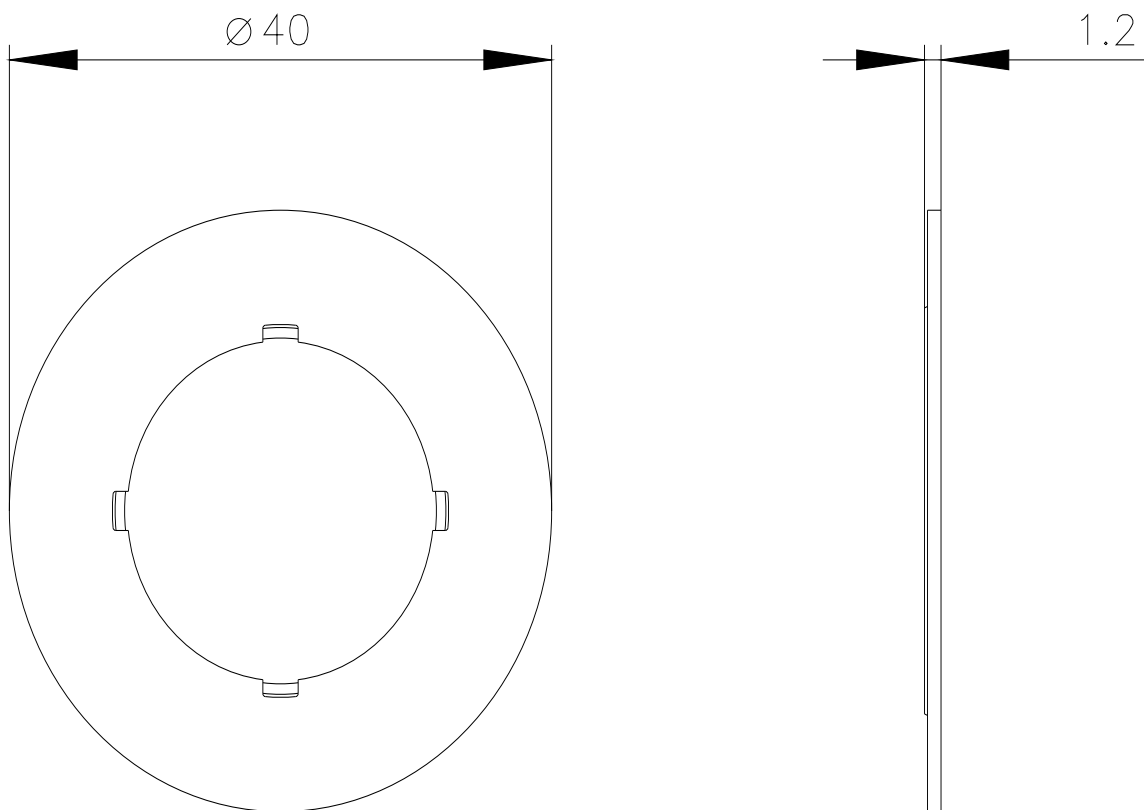
<http://support.automation.siemens.com/WW/CAXorder/default.aspx?lang=en&mlfb=3SU1900-0BG16-0AA0>

Service&Support (Manuals, Certificates, Characteristics, FAQs,...)

<https://support.industry.siemens.com/cs/ww/en/ps/3SU1900-0BG16-0AA0>

Image database (product images, 2D dimension drawings, 3D models, device circuit diagrams, EPLAN macros, ...)

[http://www.automation.siemens.com/bilddb/cax\\_de.aspx?mlfb=3SU1900-0BG16-0AA0&lang=en](http://www.automation.siemens.com/bilddb/cax_de.aspx?mlfb=3SU1900-0BG16-0AA0&lang=en)



last modified:

3/29/2022