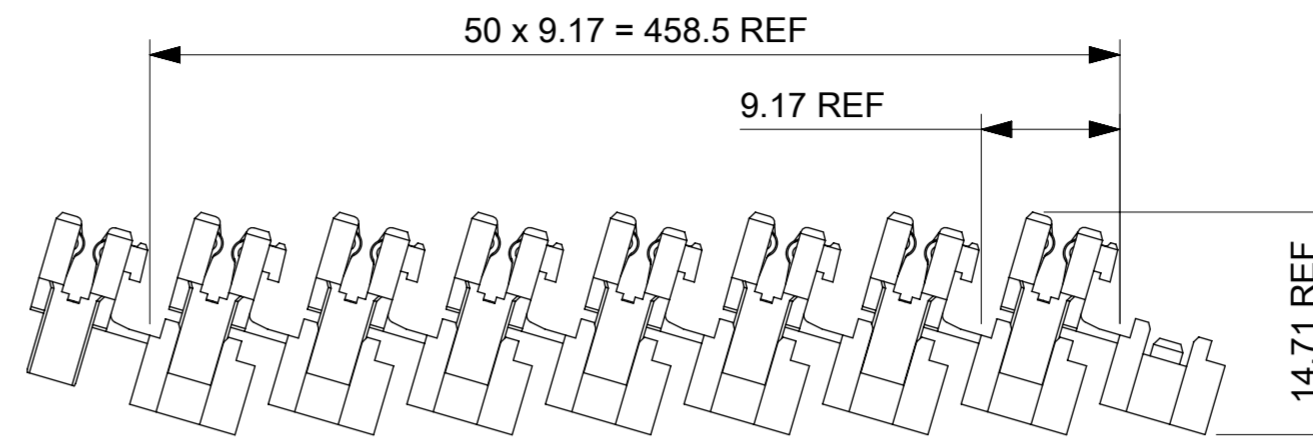
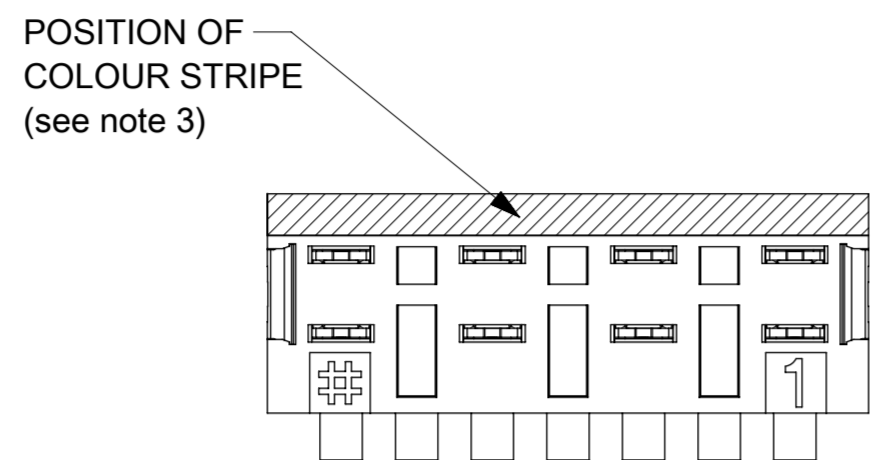
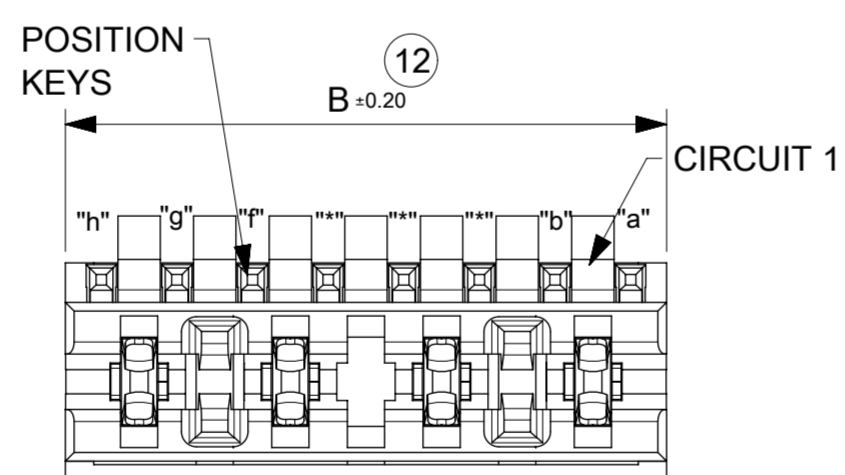
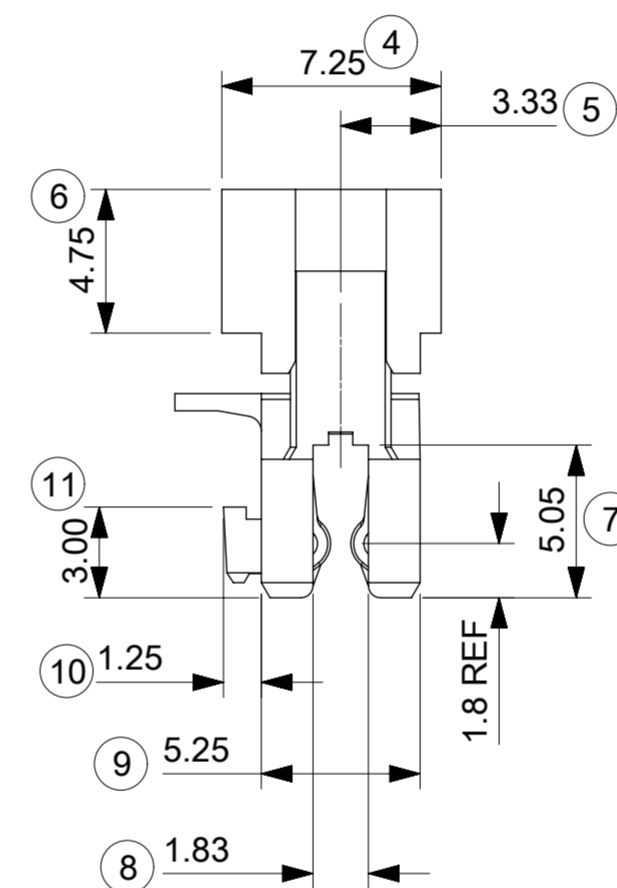
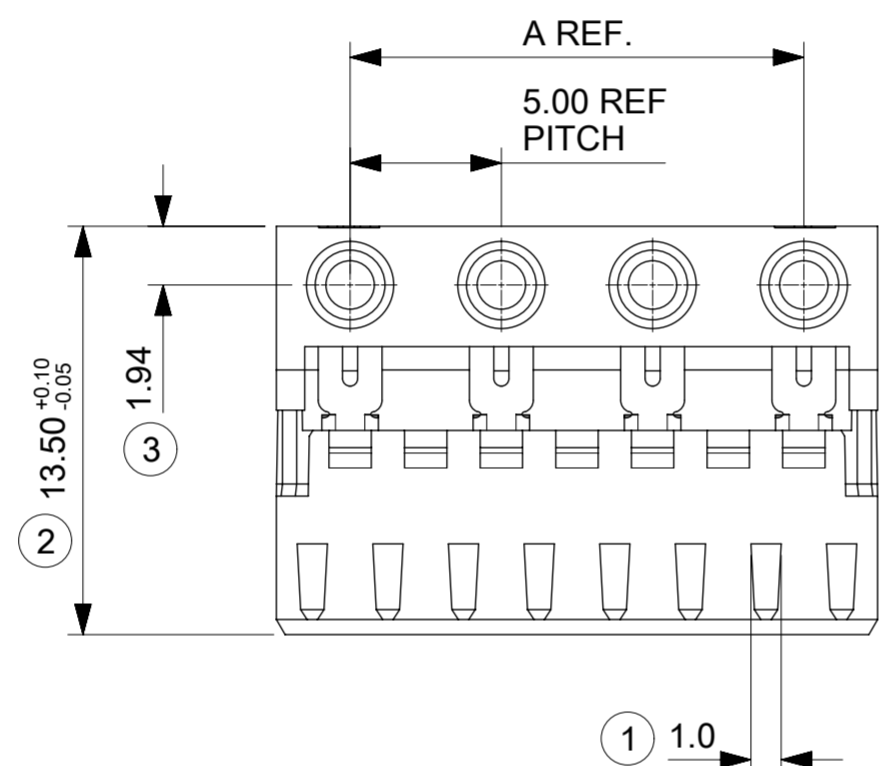


CCT	A	B
2	5.0	9.9
3	10.0	14.9
4	15.0	19.9
5	20.0	24.9
6	25.0	29.9
7	30.0	34.9
8	35.0	39.9
9	40.0	44.9
10	45.0	49.9



SHIPPING ARRANGEMENT

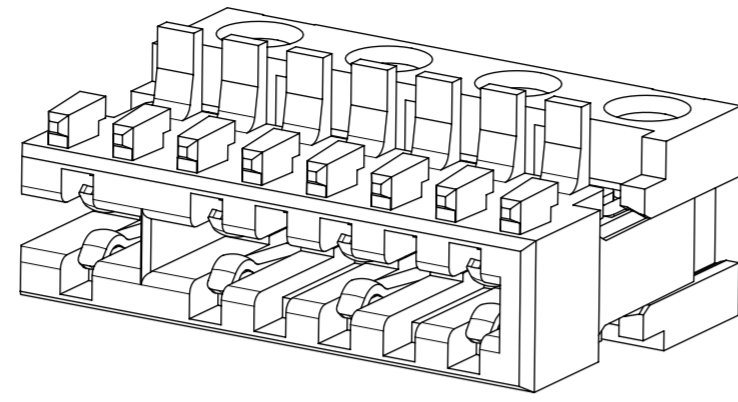


- NOTES:
- REFER TO PRODUCT SPECIFICATION: PS-93270-001.
  - MATERIAL: HOUSING - PA66  
UL94-V0, COLOUR: NATURAL (WHITE).  
TERMINAL: PHOSPHOR BRONZE 0.30 REF. THICK - PLATING  
HOT TIN DIP.
  - COLOUR STRIPE IS OPTIONAL. AVAILABLE IN THE FOLLOWING  
COLOURS: YELLOW, RED, GREEN, BLUE, BLACK & ORANGE.
  - REFER TO PACKAGING SPEC (PK-93270-001)
  - REFER TO APPLICATION SPEC (AS-93270-001)  
LAST INSPECTION NUMBER : 12

THIS DRAWING CONTAINS INFORMATION THAT IS PROPRIETARY TO MOLEX ELECTRONIC TECHNOLOGIES, LLC AND SHOULD NOT BE USED WITHOUT WRITTEN PERMISSION									
DIMENSION UNITS		SCALE		CURRENT REV DESC: ADDED NEW P/N SHT 5				<b>molex</b>	
mm									
GENERAL TOLERANCES (UNLESS SPECIFIED)				EC NO: 607384				R POWER 6 AMP 5MM TERMINAL PITCH (MATL: NYLON PA6)	
ANGULAR TOL ± 2.0°				DRWN: AKABADI 2018/11/09					
4 PLACES ±				CHK'D: TCLEARY 2018/11/09				PRODUCT CUSTOMER DRAWING	
3 PLACES ±				APPR: DRYAN 2019/01/07					
2 PLACES ± 0.05				INITIAL REVISION:				DOCUMENT NUMBER	
1 PLACE ± 0.1				DRWN: CFISHER01 2017/03/20					
0 PLACES ±				APPR: BRUTTLE 2017/09/28				932800001	
DRAFT WHERE APPLICABLE MUST REMAIN WITHIN DIMENSIONS		THIRD ANGLE PROJECTION		DRAWING		SERIES		MATERIAL NUMBER	
				A2-SIZE		93280		SEE CHARTS	
				CUSTOMER		SHEET NUMBER		REVISION	
				GENERAL MARKET		1 OF 8		E	

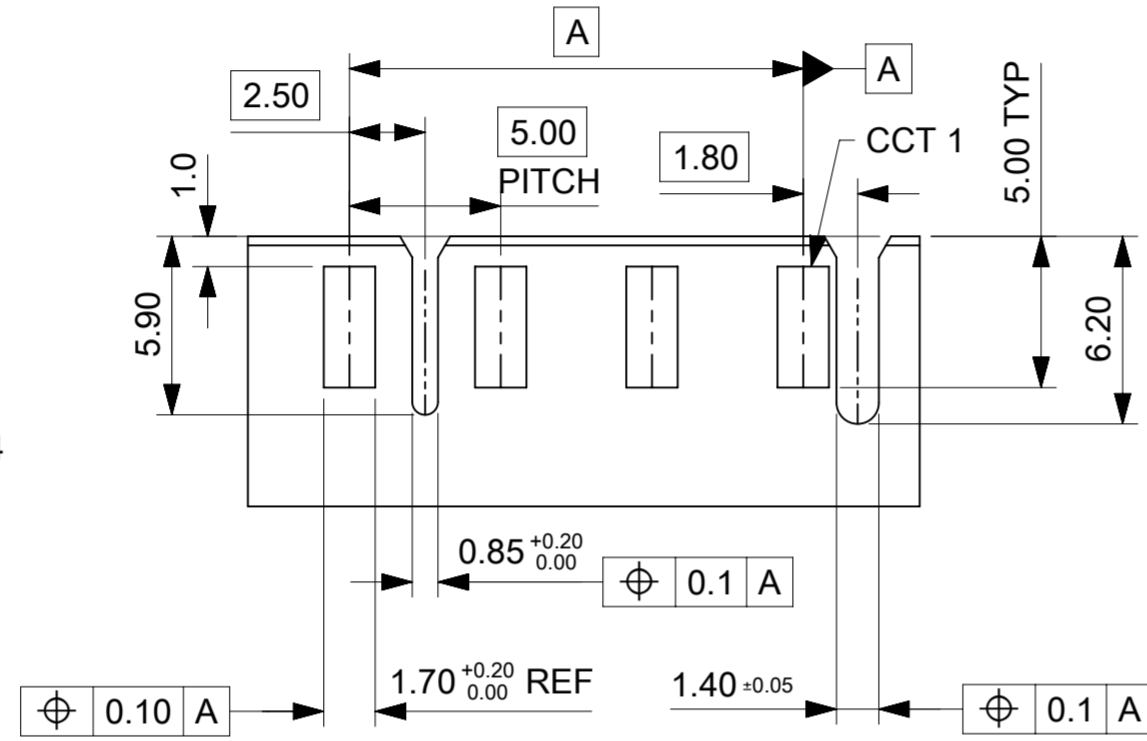


1 ROW CODING KEYS OPTION D  
END WALLS WITH POLARIZING RIBS

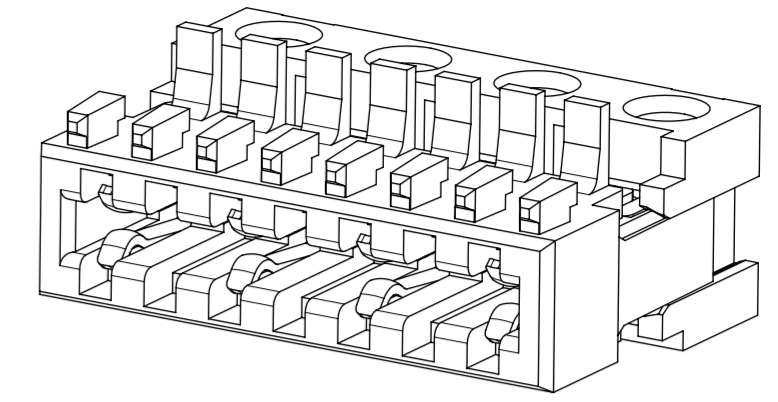


OPTION D END WALLS	
FIRST END WALL	LAST END WALL
CLOSED	OPEN

- PCB LAYOUT FOR 4CCT CONNECTOR  
(WITH OPTIONAL POSITIONAL RIB SLOT  
BETWEEN CCTS 3&4)  
- RECOMMENDED PCB THICKNESS 1.5±0.14

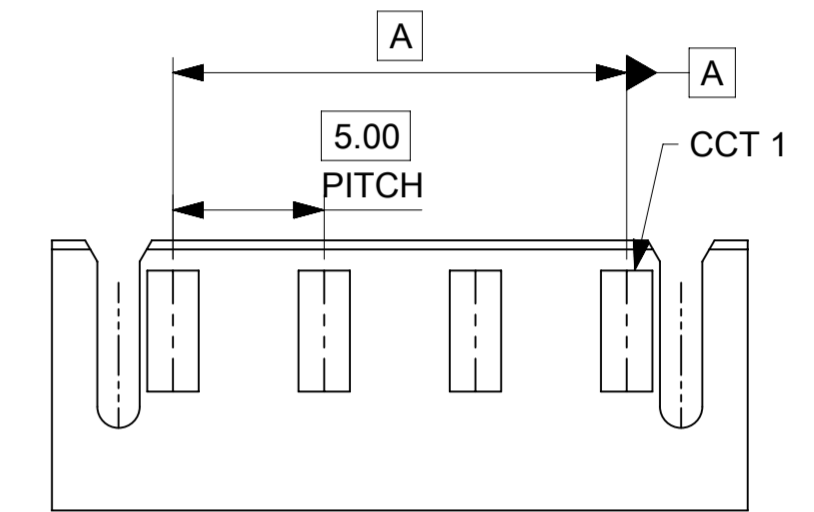


1 ROW CODING KEYS  
OPTION E END WALLS



OPTION E END WALLS	
FIRST END WALL	LAST END WALL
CLOSED	CLOSED

- PCB LAYOUT FOR 4CCT CONNECTOR  
(WITH NO OPTIONAL POSITIONAL RIB SLOTS)  
- RECOMMENDED PCB THICKNESS 1.5±0.14



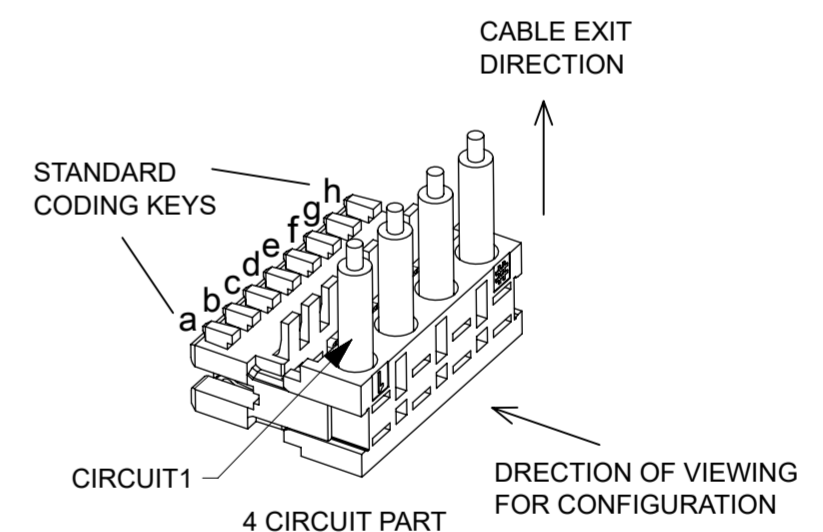
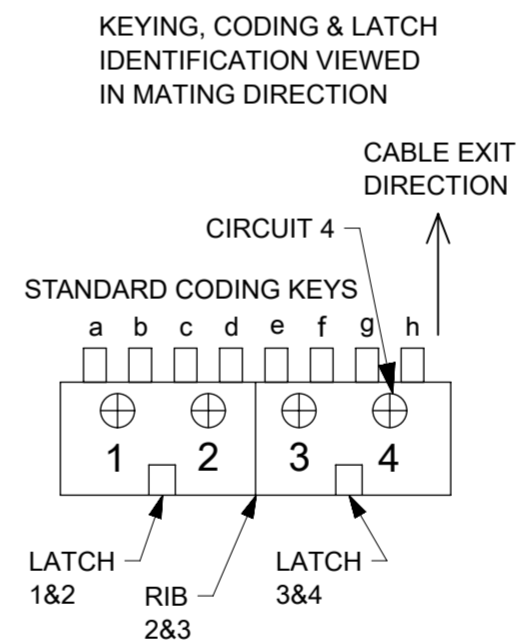
- NOTES:
1. ALL UNSPECIFIED DIMENSIONS SEE SHEET 1
  2. PCB FEATURES WHEN USED ARE IDENTICAL IN SIZE AND POSITION ACROSS PCB OPTIONS
  3. OPTIONS SHOWN ARE FOR REFERENCE ONLY, FOR PART CONFIGURATIONS SEE SHEETS 4-8
  4. FOR PARTS NOT LISTED ON THIS DRAWING PLEASE CONTACT YOUR MOLEX SALES ENGINEER

THIS DRAWING CONTAINS INFORMATION THAT IS PROPRIETARY TO MOLEX ELECTRONIC TECHNOLOGIES, LLC AND SHOULD NOT BE USED WITHOUT WRITTEN PERMISSION									
DIMENSION UNITS	SCALE	CURRENT REV DESC: ADDED NEW P/N SHT 5							
mm									
GENERAL TOLERANCES (UNLESS SPECIFIED)					R POWER 6 AMP 5MM TERMINAL PITCH (MATL: NYLON PA6)				
ANGULAR TOL	± 2.0°	EC NO: 607384			PRODUCT CUSTOMER DRAWING				
4 PLACES	±	DRWN: AKABADI 2018/11/09			DOCUMENT NUMBER				
3 PLACES	±	CHK'D: TCLEARY 2018/11/09			932800001				
2 PLACES	± 0.05	APPR: DRYAN 2019/01/07			DOC TYPE   DOC PART   REVISION				
1 PLACE	± 0.1	INITIAL REVISION:			PSD   000   E				
0 PLACES	±	DRWN: CFISHER01 2017/03/20			MATERIAL NUMBER				
DRAFT WHERE APPLICABLE MUST REMAIN WITHIN DIMENSIONS		THIRD ANGLE PROJECTION		DRAWING	SERIES	CUSTOMER		SHEET NUMBER	
				A2-SIZE	93280	GENERAL MARKET		3 OF 8	

DOCUMENT STATUS	P1	RELEASE DATE	2019/01/07	09:02:29
-----------------	----	--------------	------------	----------

# 2 CIRCUIT

PART NUMBER	HOUSING USED	TERMINAL No.	TERMINAL VOID POSITION	REMOVED CODING KEYS	CONFIGURATION	LATCH BETWEEN	POLARIZING RIB BETWEEN	FIRST ENDWALL	LAST ENDWALL	COLOUR STRIPE
93280-0001	93370-0002	93268-0001	NONE	NONE		NONE	NONE	OPEN	OPEN	NONE
93280-0501	93371-2002	93268-0001	NONE	NONE		CCT 1&2	NONE	OPEN	OPEN	NONE
93280-0502	93371-2022	93268-0001	NONE	NONE		CCT 1&2	NONE	SHORT THIN	CLOSED	NONE
93280-0002	93370-0002	93268-0001	NONE	NONE		NONE	NONE	OPEN	OPEN	YELLOW
93280-0003	93370-0002	93268-0001	NONE	d		NONE	NONE	OPEN	OPEN	YELLOW
93280-0004	93370-0002	93268-0001	NONE	NONE		NONE	NONE	OPEN	OPEN	RED
93280-0005	93370-0002	93268-0001	NONE	b		NONE	NONE	OPEN	OPEN	RED
93280-0006	93370-0002	93268-0001	NONE	d		NONE	NONE	OPEN	OPEN	NONE
93280-0008	93370-0002	93268-0001	NONE	c		NONE	NONE	OPEN	OPEN	NONE
93280-0009	93370-0002	93268-0001	NONE	a b		NONE	NONE	OPEN	OPEN	NONE
93280-0010	93370-0002	93268-0001	NONE	a c		NONE	NONE	OPEN	OPEN	NONE
93280-0503	93371-2042	93268-0001	NONE	NONE		CCT 1&2	NONE	CLOSED	SHORT THIN	NONE
93280-0011	93370-0002	93268-0001	NONE	b d		NONE	NONE	OPEN	OPEN	NONE
93280-0012	93370-0002	93268-0001	NONE	a b c		NONE	NONE	OPEN	OPEN	NONE
93280-0013	93370-0002	93268-0001	NONE	a c d		NONE	NONE	OPEN	OPEN	NONE
93280-0014	93370-0002	93268-0001	NONE	b c d		NONE	NONE	OPEN	OPEN	NONE
93280-0015	93370-0002	93268-0001	NONE	b		NONE	NONE	OPEN	OPEN	NONE
93280-0504	93371-2022	93268-0001	NONE	a b		CCT 1&2	NONE	SHORT THIN	CLOSED	NONE
93280-0505	93371-2022	93268-0001	NONE	a c		CCT 1&2	NONE	SHORT THIN	CLOSED	NONE
93280-0506	93371-2022	93268-0001	NONE	c d		CCT 1&2	NONE	SHORT THIN	CLOSED	NONE
93280-0507	93371-2062	93268-0001	NONE	NONE		CCT 1&2	NONE	CLOSED	CLOSED	NONE
93280-0016	93370-0002	93268-0001	NONE	b c		NONE	NONE	OPEN	OPEN	NONE
93280-0508	93283-2022	93268-0001	NONE	b d		CCT 1&2	NONE	SHORT THIN	CLOSED	NONE
93280-0024	93370-0002	93268-0001	NONE	a		NONE	NONE	OPEN	OPEN	NONE
93280-0509	93371-2022	93268-0001	NONE	b c		CCT 1&2	NONE	SHORT THIN	CLOSED	NONE
93280-0025	93370-0022	93268-0001	NONE	b c		NONE	NONE	SHORT THIN	CLOSED	NONE



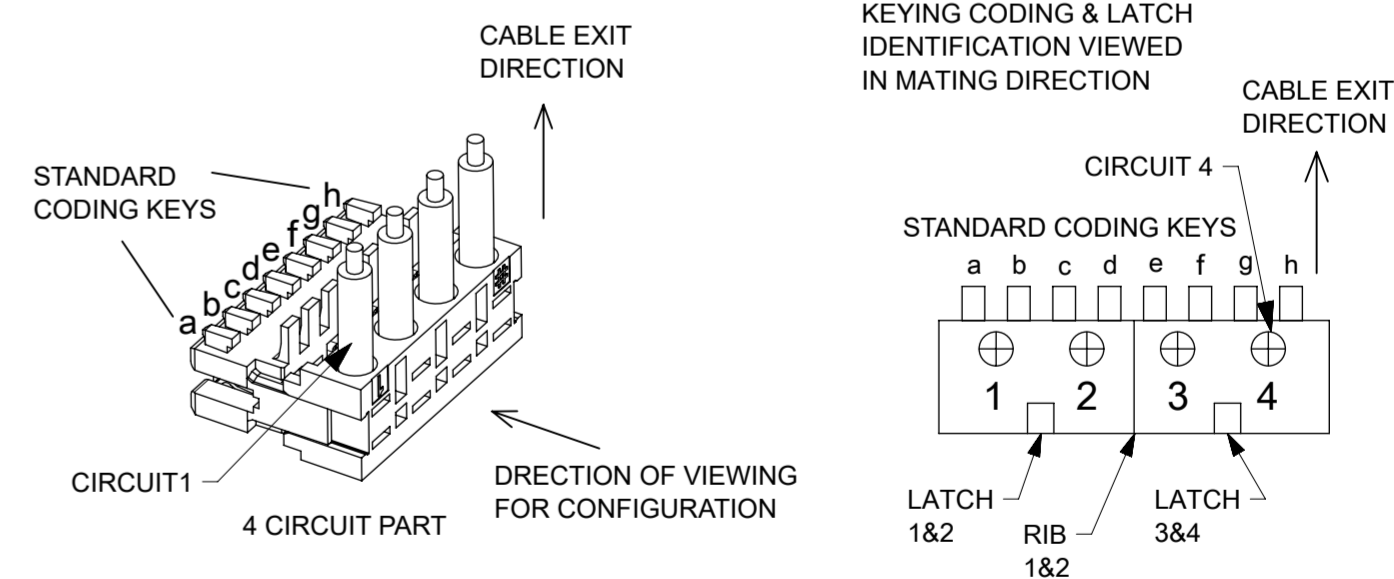
### NOTES

- + DENOTES TERMINAL VOIDED POSITION  
⊕ DENOTES TERMINAL LOADED POSITION  
| DENOTES POLARIZING RIB POSITION
- MOLEX HOUSING NO. FOR REFERENCE ONLY

THIS DRAWING CONTAINS INFORMATION THAT IS PROPRIETARY TO MOLEX ELECTRONIC TECHNOLOGIES, LLC AND SHOULD NOT BE USED WITHOUT WRITTEN PERMISSION									
DIMENSION UNITS		SCALE		CURRENT REV DESC: ADDED NEW P/N SHT 5					
mm				<b>molex</b> R POWER 6 AMP 5MM TERMINAL PITCH (MATL: NYLON PA6) PRODUCT CUSTOMER DRAWING					
GENERAL TOLERANCES (UNLESS SPECIFIED)									
ANGULAR TOL		± 2.0°							
4 PLACES		±							
3 PLACES		±							
2 PLACES		± 0.05		EC NO: 607384		2018/11/09			
1 PLACE		± 0.1		DRWN: AKABADI		2018/11/09			
0 PLACES		±		CHK'D: TCLEARY		2019/01/07			
DRAFT WHERE APPLICABLE MUST REMAIN WITHIN DIMENSIONS				THIRD ANGLE PROJECTION		DRAWING		SERIES	
						A2-SIZE		93280	
DOCUMENT NUMBER		DOC TYPE		DOC PART		REVISION			
932800001		PSD		000		E			
MATERIAL NUMBER		CUSTOMER		SHEET NUMBER					
SEE CHARTS		GENERAL MARKET		4 OF 8					

# 3 CIRCUIT

PART NUMBER	HOUSING USED	TERMINAL No.	TERMINAL VOID POSITION	REMOVED CODING KEYS	CONFIGURATION	LATCH BETWEEN	POLARIZING RIB BETWEEN	FIRST ENDWALL	LAST ENDWALL	COLOUR STRIPE
93280-1001	93370-0003	93268-0001	NONE	NONE		NONE	NONE	OPEN	OPEN	NONE
93280-1002	93370-0203	93268-0001	CCT 2	a		NONE	2&3	OPEN	OPEN	NONE
93280-1003	93370-0003	93268-0001	NONE	b		NONE	NONE	OPEN	OPEN	NONE
93280-1004	93370-0003	93268-0001	NONE	b e		NONE	NONE	OPEN	OPEN	NONE
93280-1005	93370-0003	93268-0001	NONE	b c d		NONE	NONE	OPEN	OPEN	NONE
93280-1006	93370-0003	93268-0001	NONE	b c e		NONE	NONE	OPEN	OPEN	NONE
93280-1007	93370-0003	93268-0001	NONE	d e f		NONE	NONE	OPEN	OPEN	NONE
93280-1008	93370-0003	93268-0001	NONE	c d f		NONE	NONE	OPEN	OPEN	NONE
93280-1009	93370-0003	93268-0001	NONE	a d e		NONE	NONE	OPEN	OPEN	NONE
93280-1010	93370-0003	93268-0001	NONE	b c d		NONE	NONE	OPEN	OPEN	NONE
93280-1011	93370-0003	93268-0001	NONE	a d e f		NONE	NONE	OPEN	OPEN	NONE
93280-1012	93370-0003	93268-0001	NONE	a b d		NONE	NONE	OPEN	OPEN	NONE
93280-1013	93370-0103	93268-0001	CCT 2	d e f		NONE	1&2	OPEN	OPEN	NONE
93280-1014	93370-0003	93268-0001	NONE	b c d e		NONE	NONE	OPEN	OPEN	NONE
93280-1015	93370-0003	93268-0001	NONE	a c e		NONE	NONE	OPEN	OPEN	NONE
93280-1016	93370-0003	93268-0001	NONE	NONE		NONE	NONE	OPEN	OPEN	BLUE 2
93280-1017	93370-0103	93268-0001	NONE	d e f		NONE	1&2	OPEN	OPEN	NONE
93280-1025	93270-0103	93268-0001	CCT 2	a		NONE	2&3	OPEN	OPEN	NONE
93280-1506	93371-4123	93268-0001	NONE	NONE		2&3	1&2	SHORT THIN	CLOSED	NONE
93280-1507	93371-2223	93268-0001	NONE	NONE		1&2	2&3	SHORT THIN	CLOSED	NONE
93280-1508	93371-4103	93268-0001	NONE	NONE		2&3	1&2	OPEN	OPEN	NONE
93280-1505	93371-0083	93268-0001	NONE	NONE		1&2 2&3	NONE	CLOSED D	OPEN D	NONE
93280-1018	93370-0054	93268-0001	NONE	NONE		NONE	NONE	OPEN	NARROW FLUSH	NONE
93280-1019	93370-0203	93268-0001	CCT 2	d		NONE	2&3	OPEN	OPEN	NONE
93280-1020	93370-0203	93268-0001	CCT 2	d		NONE	2&3	OPEN	OPEN	BLACK



## NOTES

- + DENOTES TERMINAL VOIDED POSITION  
⊕ DENOTES TERMINAL LOADED POSITION  
| DENOTES POLARIZING RIB POSITION
- MOLEX HOUSING NO. FOR REFERENCE ONLY

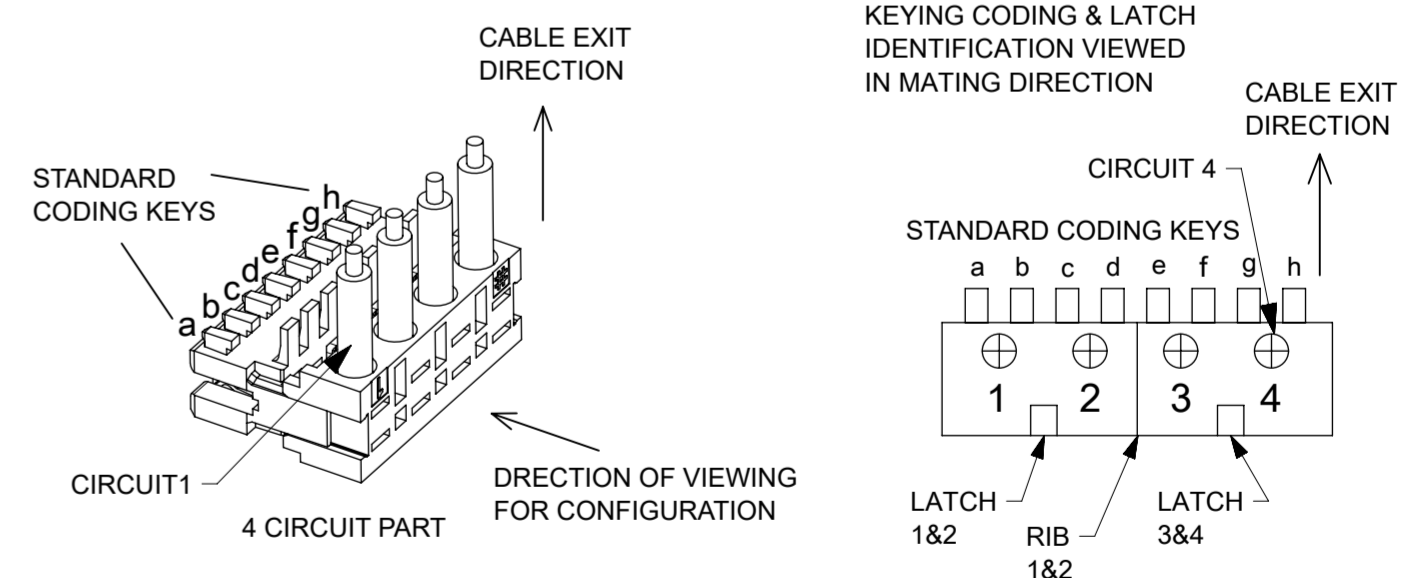
THIS DRAWING CONTAINS INFORMATION THAT IS PROPRIETARY TO MOLEX ELECTRONIC TECHNOLOGIES, LLC AND SHOULD NOT BE USED WITHOUT WRITTEN PERMISSION									
DIMENSION UNITS: mm		SCALE:		CURRENT REV DESC: ADDED NEW P/N SHT 5					
GENERAL TOLERANCES (UNLESS SPECIFIED)				EC NO: 607384					
ANGULAR TOL ± 2.0°				DRWN: AKABADI 2018/11/09				R POWER 6 AMP 5MM TERMINAL PITCH (MATL: NYLON PA6)	
4 PLACES ±				CHK'D: TCLEARY 2018/11/09					
3 PLACES ±				APPR: DRYAN 2019/01/07				PRODUCT CUSTOMER DRAWING	
2 PLACES ± 0.05				INITIAL REVISION:					
1 PLACE ± 0.1				DRWN: CFISHER01 2017/03/20				DOCUMENT NUMBER: 932800001	
0 PLACES ±				APPR: BRUTTLE 2017/09/28					
DRAFT WHERE APPLICABLE MUST REMAIN WITHIN DIMENSIONS		THIRD ANGLE PROJECTION		DRAWING: A2-SIZE		SERIES: 93280		SHEET NUMBER: 5 OF 8	
MATERIAL NUMBER: SEE CHARTS		CUSTOMER: GENERAL MARKET		DOC TYPE: PSD		DOC PART: 000		REVISION: E	

### 4 CIRCUIT

PART NUMBER	HOUSING USED	TERMINAL No.	TERMINAL VOID POSITION	REMOVED CODING KEYS	CONFIGURATION	LATCH BETWEEN	POLARIZING RIB BETWEEN	FIRST ENDWALL	LAST ENDWALL	COLOUR STRIPE
93280-2001	93370-0004	93268-0001	NONE	NONE		NONE	NONE	OPEN	OPEN	NONE
93280-2501	93371-2004	93268-0001	NONE	NONE		1&2	NONE	OPEN	OPEN	NONE
93280-2002	93370-0204	93268-0001	NONE	d e f g h		NONE	2&3	OPEN	OPEN	RED
93280-2003	93370-0204	93268-0001	NONE	NONE		NONE	2&3	OPEN	OPEN	RED
93280-2004	93370-0204	93268-0001	NONE	b d e f g h		NONE	2&3	OPEN	OPEN	RED
93280-2005	93370-0004	93268-0001	NONE	d e f g		NONE	NONE	OPEN	OPEN	NONE
93280-2006	93370-0004	93268-0001	NONE	b c d f		NONE	NONE	OPEN	OPEN	NONE
93280-2007	93370-0004	93268-0001	NONE	a b e f h		NONE	NONE	OPEN	OPEN	NONE
93280-2008	93370-0004	93268-0001	NONE	a b c d e f g h		NONE	NONE	OPEN	OPEN	NONE
93280-2009	93370-0004	93268-0001	NONE	a b f g		NONE	NONE	OPEN	OPEN	NONE
93280-2503	93371-0224	93268-0001	NONE	NONE		1&2 3&4	2&3	SHORT THIN	CLOSED	NONE
93280-2010	93370-0004	93268-0001	NONE	c d e h		NONE	NONE	OPEN	OPEN	NONE
93280-2011	93370-0004	93268-0001	NONE	d e f g h		NONE	NONE	OPEN	OPEN	NONE

### 5 CIRCUIT

PART NUMBER	HOUSING USED	TERMINAL No.	TERMINAL VOID POSITION	REMOVED CODING KEYS	CONFIGURATION	LATCH BETWEEN	POLARIZING RIB BETWEEN	FIRST ENDWALL	LAST ENDWALL	COLOUR STRIPE
93280-3001	93370-0005	93268-0001	NONE	NONE		NONE	NONE	OPEN	OPEN	NONE
93280-3501	93371-2005	93268-0001	NONE	NONE		CCT 1&2	NONE	OPEN	OPEN	NONE
93280-3002	93370-0005	93268-0001	NONE	c d f g i		NONE	NONE	OPEN	OPEN	NONE
93280-3003	93370-0005	93268-0001	NONE	a b c d e f g h i		NONE	NONE	OPEN	OPEN	NONE
93280-3004	93370-0005	93268-0001	NONE	ALL		NONE	NONE	OPEN	OPEN	NONE
93280-3502	93371-0325	93268-0001	NONE	NONE		CCT 1&2 4&5	CCT 3&4	SHORT THIN	CLOSED	NONE
93280-3503	93371-2425	93268-0001	NONE	NONE		CCT 1&2	CCT 4&5	SHORT THIN	CLOSED	NONE
93280-3504	93371-0205	93268-0001	NONE	NONE		CCT 1&2 4&5	CCT 2&3	OPEN	OPEN	NONE
93280-3005	93370-0105	93268-0001	NONE	NONE		NONE	CCT 1&2	OPEN	OPEN	NONE
93280-3006	93370-0005	93268-0001	NONE	b c d g h j		NONE	NONE	OPEN	OPEN	NONE



#### NOTES

- + DENOTES TERMINAL VOIDED POSITION  
⊕ DENOTES TERMINAL LOADED POSITION  
| DENOTES POLARIZING RIB POSITION
- MOLEX HOUSING NO. FOR REFERENCE ONLY

THIS DRAWING CONTAINS INFORMATION THAT IS PROPRIETARY TO MOLEX ELECTRONIC TECHNOLOGIES, LLC AND SHOULD NOT BE USED WITHOUT WRITTEN PERMISSION									
DIMENSION UNITS		SCALE		CURRENT REV DESC: ADDED NEW P/N SHT 5					
mm				<p><b>molex</b></p> <p>R POWER 6 AMP 5MM TERMINAL PITCH (MATL: NYLON PA6)</p> <p>PRODUCT CUSTOMER DRAWING</p>					
GENERAL TOLERANCES (UNLESS SPECIFIED)									
ANGULAR TOL		± 2.0°							
4 PLACES		±							
3 PLACES		±							
2 PLACES		± 0.05		EC NO: 607384		2018/11/09			
1 PLACE		± 0.1		DRWN: AKABADI		2018/11/09			
0 PLACES		±		CHK'D: TCLEARY		2019/01/07			
DRAFT WHERE APPLICABLE MUST REMAIN WITHIN DIMENSIONS				THIRD ANGLE PROJECTION		DRAWING		SERIES	
						A2-SIZE		93280	
DOCUMENT NUMBER		DOC TYPE		DOC PART		REVISION			
932800001		PSD		000		E			
MATERIAL NUMBER		CUSTOMER		SHEET NUMBER					
SEE CHARTS		GENERAL MARKET		6 OF 8					

### 6 CIRCUIT

PART NUMBER	HOUSING USED	TERMINAL No.	TERMINAL VOID POSITION	REMOVED CODING KEYS	CONFIGURATION	LATCH BETWEEN	POLARIZING RIB BETWEEN	FIRST ENDWALL	LAST ENDWALL	COLOUR STRIPE
93280-4001	93370-0006	93268-0001	NONE	NONE		NONE	NONE	OPEN	OPEN	NONE
93280-4501	93371-2006	93268-0001	NONE	NONE		CCT 1&2	NONE	OPEN	OPEN	NONE
93280-4002	93370-0006	93268-0001	NONE	a b c d g h i j k l + b2 c2 d2 e2 f2 g2 h2 i2 j2 k2		NONE	NONE	OPEN	OPEN	NONE
93280-4502	93371-0306	93268-0001	NONE	NONE		CCT 1&2 5&6	CCT 3&4	OPEN	OPEN	NONE
93280-4003	93370-0006	93268-0001	NONE	a b c d e f g h i j k l		NONE	NONE	OPEN	OPEN	NONE
93280-4004	93370-0006	93268-0001	NONE	a l		NONE	NONE	OPEN	OPEN	NONE
93280-4503	93371-2526	93268-0001	NONE	NONE		CCT 1&2	CCT 5&6	SHORT THIN	CLOSED	NONE
93280-4005	93370-0206	93268-0001	NONE	NONE		NONE	CCT 2&3	OPEN	OPEN	NONE
93280-4006	93370-0006	93268-0001	NONE	c d e h i j		NONE	NONE	OPEN	OPEN	NONE
93280-4007	93370-0006	93268-0001	NONE	a b e f g h k l		NONE	NONE	OPEN	OPEN	NONE
93280-4504	93371-0206	93268-0001	NONE	NONE		CCT 1&2 5&6	CCT 2&3	OPEN	OPEN	NONE
93280-4008	93370-0006	93268-0001	NONE	b f g k		NONE	NONE	OPEN	OPEN	NONE

### 7 CIRCUIT

PART NUMBER	HOUSING USED	TERMINAL No.	TERMINAL VOID POSITION	REMOVED CODING KEYS	CONFIGURATION	LATCH BETWEEN	POLARIZING RIB BETWEEN	FIRST ENDWALL	LAST ENDWALL	COLOUR STRIPE
93280-5001	93370-0007	93268-0001	NONE	NONE		NONE	NONE	OPEN	OPEN	NONE
93280-5501	93371-2007	93268-0001	NONE	NONE		CCT 1&2	NONE	OPEN	OPEN	NONE
93280-5502	93371-0027	93268-0001	NONE	NONE		CCT 1&2 6&7	NONE	SHORT THIN	CLOSED	NONE
93280-5002	93370-0007	93268-0001	NONE	b c d e f h i j k l m		NONE	NONE	OPEN	OPEN	NONE
93280-5003	93370-0007	93268-0001	NONE	b c e f g i j k m n		NONE	NONE	OPEN	OPEN	ORANGE
93280-5004	93370-0007	93268-0001	NONE	c d g h i j k		NONE	NONE	OPEN	OPEN	NONE
93280-5503	93371-0307	93268-0001	NONE	NONE		CCT 1&2 6&7	CCT 3&4	OPEN	OPEN	NONE
93280-5504	93371-0007	93268-0001	NONE	NONE		CCT 1&2 6&7	NONE	OPEN	OPEN	NONE
93280-5005	93370-0007	93268-0001	NONE	a b c d e g h i j k l m		NONE	NONE	OPEN	OPEN	NONE
93280-5006	93370-0207	93268-0001	NONE	NONE		NONE	CCT 2&3	OPEN	OPEN	NONE
93280-5505	93371-0007	93268-0001	NONE	NONE		CCT 1&2 6&7	NONE	OPEN	OPEN	NONE
93280-5506	93370-0507	93268-0001	NONE	NONE		NONE	CCT 5&6	OPEN	OPEN	NONE

#### NOTES

- + DENOTES TERMINAL VOIDED POSITION  
⊕ DENOTES TERMINAL LOADED POSITION  
| DENOTES POLARIZING RIB POSITION
- MOLEX HOUSING NO. FOR REFERENCE ONLY

THIS DRAWING CONTAINS INFORMATION THAT IS PROPRIETARY TO MOLEX ELECTRONIC TECHNOLOGIES, LLC AND SHOULD NOT BE USED WITHOUT WRITTEN PERMISSION

DIMENSION UNITS	SCALE	CURRENT REV DESC: ADDED NEW P/N SHT 5		<b>molex</b>			
mm							
GENERAL TOLERANCES (UNLESS SPECIFIED)		EC NO: 607384		R POWER 6 AMP 5MM TERMINAL PITCH (MATL: NYLON PA6)			
ANGULAR TOL	± 2.0°	DRWN: AKABADI	2018/11/09				
4 PLACES	±	CHK'D: TCLEARY	2018/11/09	PRODUCT CUSTOMER DRAWING			
3 PLACES	±	APPR: DRYAN	2019/01/07				
2 PLACES	± 0.05	INITIAL REVISION:		DOCUMENT NUMBER			
1 PLACE	± 0.1	DRWN: CFISHER01	2017/03/20				932800001
0 PLACES	±	APPR: BRUTTLE	2017/09/28	DOC TYPE	DOC PART	REVISION	
DRAFT WHERE APPLICABLE MUST REMAIN WITHIN DIMENSIONS		THIRD ANGLE PROJECTION	DRAWING	SERIES	MATERIAL NUMBER	CUSTOMER	SHEET NUMBER
			A2-SIZE	93280	SEE CHARTS	GENERAL MARKET	7 OF 8

### 8 CIRCUIT

PART NUMBER	HOUSING USED	TERMINAL No.	TERMINAL VOID POSITION	REMOVED CODING KEYS	CONFIGURATION	LATCH BETWEEN	POLARIZING RIB BETWEEN	FIRST ENDWALL	LAST ENDWALL	COLOUR STRIPE
93280-6001	93370-0008	93268-0001	NONE	NONE		NONE	NONE	OPEN	OPEN	NONE
93280-6501	93371-2008	93268-0001	NONE	NONE		CCT 1&2	NONE	OPEN	OPEN	NONE
93280-6502	93371-0308	93268-0001	NONE	NONE		CCT 1&2 7&8	CCT 3&4	OPEN	OPEN	NONE
93280-6002	93370-0208	93268-0001	NONE	NONE		NONE	CCT 2&3	OPEN	OPEN	NONE

### 10 CIRCUIT

PART NUMBER	HOUSING USED	TERMINAL No.	TERMINAL VOID POSITION	REMOVED CODING KEYS	CONFIGURATION	LATCH BETWEEN	POLARIZING RIB BETWEEN	FIRST ENDWALL	LAST ENDWALL	COLOUR STRIPE
93280-8001	93370-0010	93268-0001	NONE	NONE		NONE	NONE	OPEN	OPEN	NONE
93280-8501	93371-2010	93268-0001	NONE	NONE		CCT 1&2	NONE	OPEN	OPEN	NONE

### 9 CIRCUIT

PART NUMBER	HOUSING USED	TERMINAL No.	TERMINAL VOID POSITION	REMOVED CODING KEYS	CONFIGURATION	LATCH BETWEEN	POLARIZING RIB BETWEEN	FIRST ENDWALL	LAST ENDWALL	COLOUR STRIPE
93280-7001	93370-0009	93268-0001	NONE	NONE		NONE	NONE	OPEN	OPEN	NONE
93280-7501	93370-2009	93268-0001	NONE	NONE		CCT 1&2	NONE	OPEN	OPEN	NONE
93280-7502	93371-0029	93268-0001	NONE	NONE		CCT 1&2 8&9	NONE	SHORT THIN	CLOSED	NONE
93280-7503	93371-0029	93268-0001	NONE	ALL		CCT 1&2 8&9	NONE	SHORT THIN	CLOSED	NONE
93280-7002	93370-0009	93268-0001	NONE	ALL		NONE	NONE	OPEN	OPEN	NONE
93280-7504	93371-2309	93268-0001	NONE	NONE		CCT 1&2	CCT 3&4	OPEN	OPEN	NONE
93280-7003	93370-0209	93268-0001	NONE	NONE		NONE	CCT 2&3	OPEN	OPEN	NONE

#### NOTES

- + DENOTES TERMINAL VOIDED POSITION  
⊕ DENOTES TERMINAL LOADED POSITION  
| DENOTES POLARIZING RIB POSITION
- MOLEX HOUSING NO. FOR REFERENCE ONLY

THIS DRAWING CONTAINS INFORMATION THAT IS PROPRIETARY TO MOLEX ELECTRONIC TECHNOLOGIES, LLC AND SHOULD NOT BE USED WITHOUT WRITTEN PERMISSION									
DIMENSION UNITS		SCALE		CURRENT REV DESC: ADDED NEW P/N SHT 5					
mm									
GENERAL TOLERANCES (UNLESS SPECIFIED)				EC NO: 607384				<b>R POWER 6 AMP</b> <b>5MM TERMINAL PITCH (MATL: NYLON PA6)</b>	
ANGULAR TOL		± 2.0°		DRWN: AKABADI		2018/11/09			
4 PLACES		±		CHK'D: TCLEARY		2018/11/09			
3 PLACES		±		APPR: DRYAN		2019/01/07		PRODUCT CUSTOMER DRAWING	
2 PLACES		± 0.05		INITIAL REVISION:				DOCUMENT NUMBER	
1 PLACE		± 0.1		DRWN: CFISHER01		2017/03/20		932800001	
0 PLACES		±		APPR: BRUTTLE		2017/09/28		DOC TYPE   DOC PART   REVISION	
DRAFT WHERE APPLICABLE MUST REMAIN WITHIN DIMENSIONS		THIRD ANGLE PROJECTION		DRAWING		SERIES		MATERIAL NUMBER	
				A2-SIZE		93280		SEE CHARTS	
				GENERAL MARKET				SHEET NUMBER	
								8 OF 8	