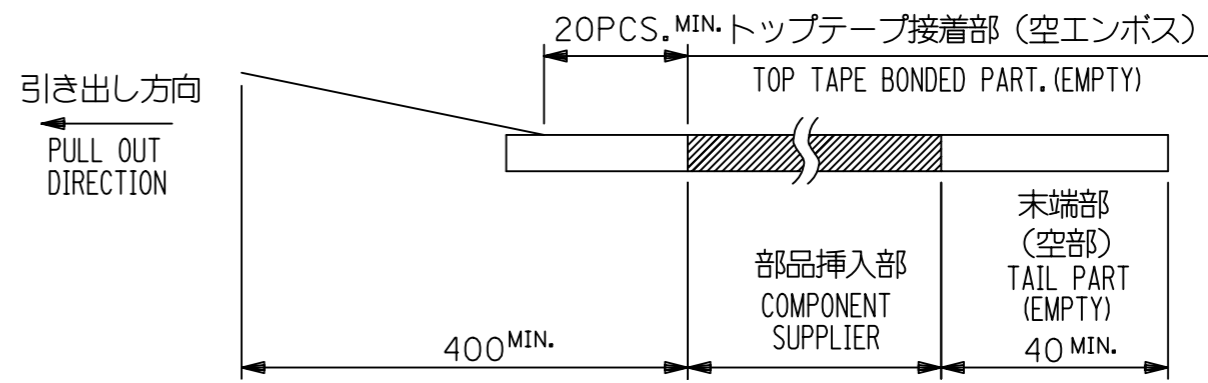


**NOTE**

- 1. 梱包数量 : 1000個/リール  
NUMBER OF CONNECTORS : 1000 PCS/REEL
- 2. リードテープ長さ LEAD TAPE LENGTH



3. 52610-\*\*15のアクチュエータはハウジング内に押し下げた状態とする。  
詳細寸法については図面 526101000 PSD 000 を参照下さい。  
ACTUATOR OF PART NO. 52610-\*\*15 SHOULD BE LOCKED.  
RE DETAILD DIMENSIONS, SEE 526101000 PSD 000.

4. 材料 MATERIAL  
 キャリアテープ : ポリプロピレン  
 トップテープ : PET, PE, PEF  
 リール : ポリスチレン <リサイクル材を含む>  
 CARRIER TAPE : POLYPROPYLENE  
 TOP TAPE : PET, PE, PEF  
 REEL : POLYSTYRENE (PS) < RECYCLE MATERIAL CONTAINED >

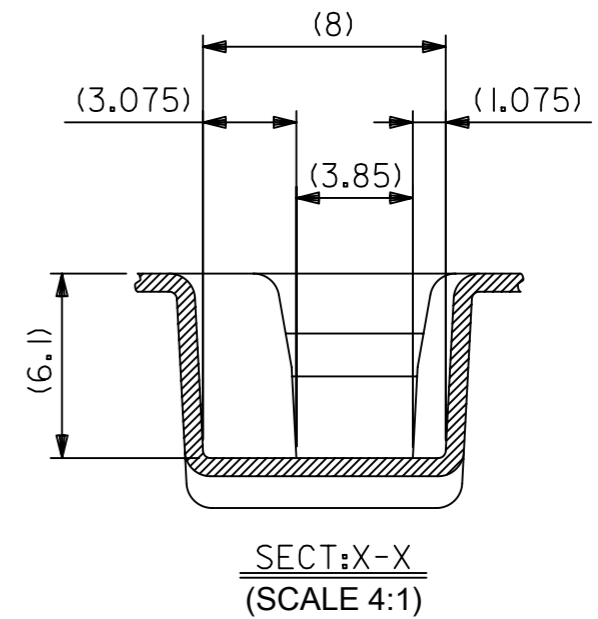
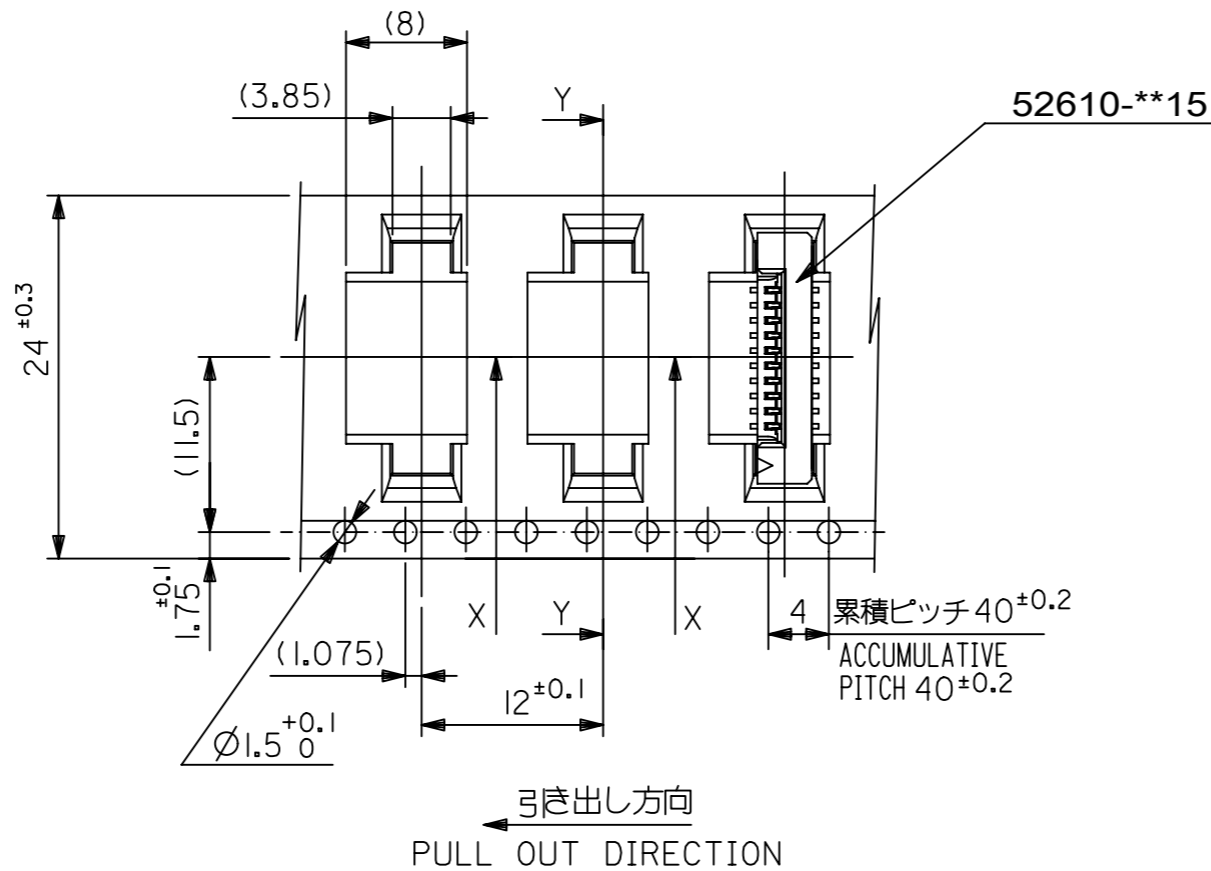
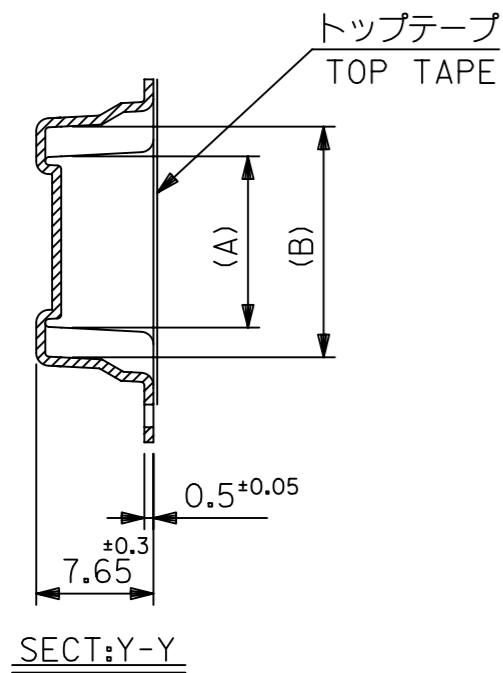
5. 本製品は52610シリーズの接点金めつき品である。  
THIS PRODUCT IS Au-CONTACT OF 52610 SERIES.

6. 本製品は乾燥剤入り、ハイバリア梱包仕様である。  
THIS PRODUCT IS HIGH BARRIER PACKAGE WITH DESICCANT.

MODEL NO. 52610-\*\*72

THIS DRAWING CONTAINS INFORMATION THAT IS PROPRIETARY TO MOLEX ELECTRONIC TECHNOLOGIES, LLC AND SHOULD NOT BE USED WITHOUT WRITTEN PERMISSION											
RELEASED	EC NO: 106044	2016/10/12	GENERAL TOLERANCES (UNLESS SPECIFIED)		DIMENSION UNITS	SCALE	<b>molex</b>				
	DRWN: YMIZUNO02	2016/12/28	ANGULAR TOL ± 3.0 °		MM	---					
	CHK'D: YKOBAYASHI02	2016/12/28	4 PLACES	± 0.2	DRWN BY	DATE	1.0 FPC CONN ZIF ASSY SMT ST EMBSTP PKG				
	APPR: TKUSUHARA01	2016/12/28	3 PLACES	± 0.2	YKOBAYASHI02	2016/10/12					
			2 PLACES	± 0.2	CHK'D BY	DATE	PRODUCT CUSTOMER DRAWING				
			1 PLACE	± 0.2	YKOBAYASHI02	2016/12/28					
		0 PLACES	± 0.2	APPR BY	DATE	SERIES	MATERIAL NUMBER	CUSTOMER			
				TKUSUHARA01	2016/12/28	52610	SEE CHART	GENERAL			
				DRAFT WHERE APPLICABLE MUST REMAIN WITHIN DIMENSIONS		DRAWING SIZE	THIRD ANGLE PROJECTION	DOCUMENT NUMBER	DOC TYPE	DOC PART	SHEET NUMBER
						A3		526100000	PSD	000	1 OF 5

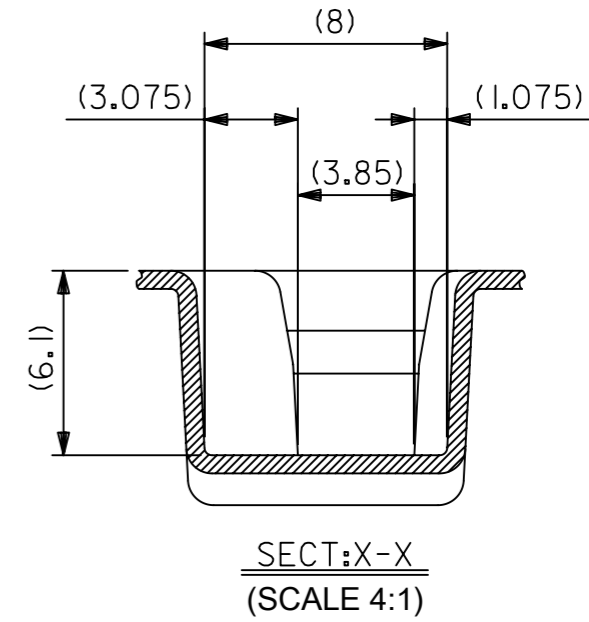
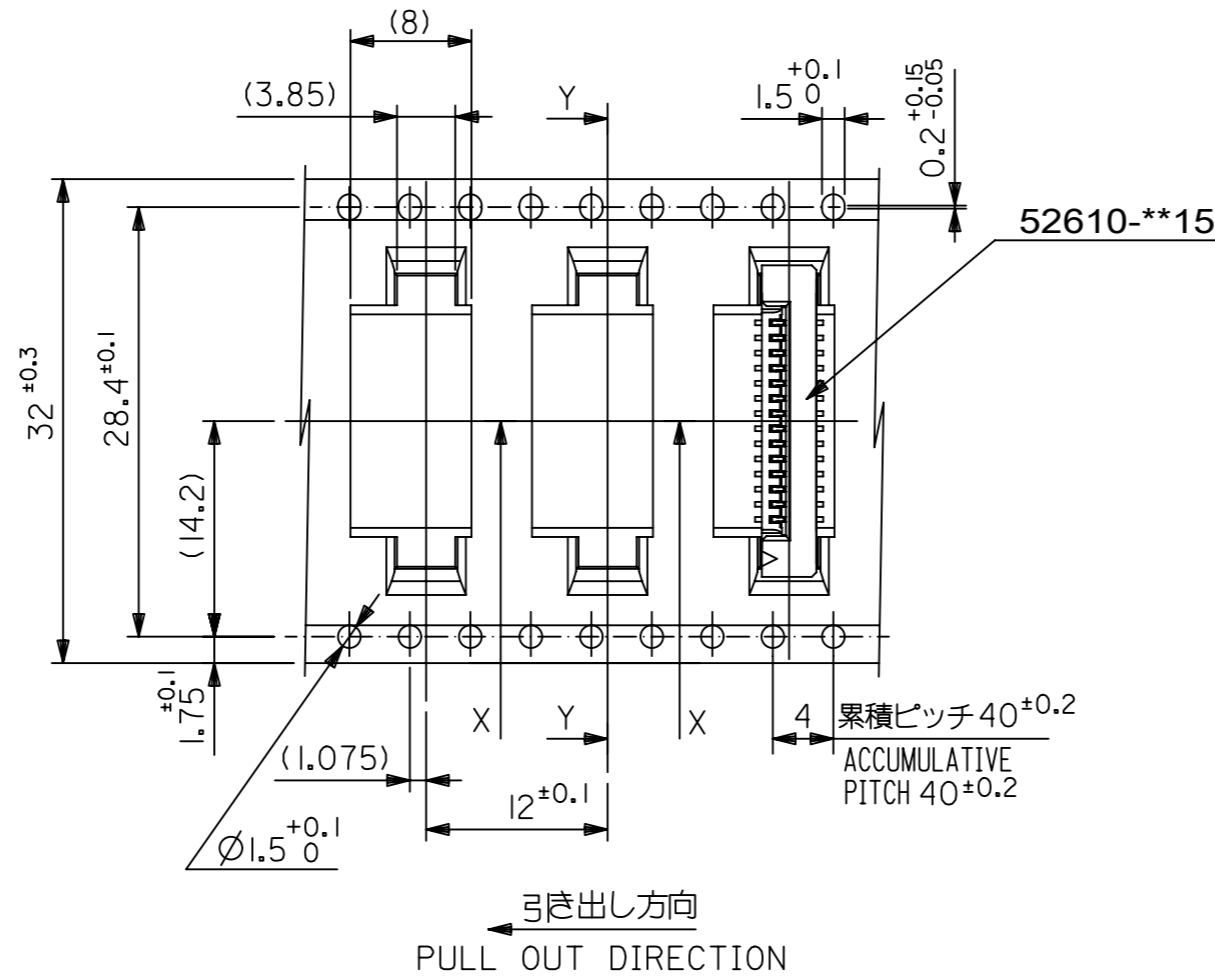
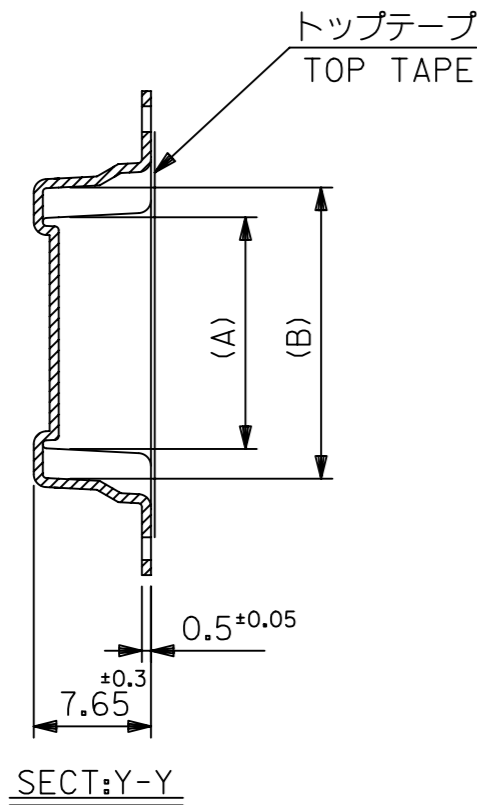
RELEASE STATUS	RELEASE DATE
----------------	--------------



24	29.4	25.4	15.25	11.32	52610-1072	10		
			14.25	10.32	52610-0972	9		
			13.25	9.32	52610-0872	8		
			12.25	8.32	52610-0772	7		
			11.25	7.32	52610-0672	6		
			10.25	6.32	52610-0572	5		
キャリアテープ幅 CARRIER TAPE WIDTH			D	C	(B)	(A)	MATERIAL NO.	極数 CKT

THIS DRAWING CONTAINS INFORMATION THAT IS PROPRIETARY TO MOLEX ELECTRONIC TECHNOLOGIES, LLC AND SHOULD NOT BE USED WITHOUT WRITTEN PERMISSION

EC NO: 106044 DRWN: YMIZUNO02 CHK'D: YKOBAYASHI02 APPR: TKUSUHARA01	2016/10/12	2016/12/28	2016/12/28	GENERAL TOLERANCES (UNLESS SPECIFIED) ANGULAR TOL ± 3.0 ° 4 PLACES ± 0.2 3 PLACES ± 0.2 2 PLACES ± 0.2 1 PLACE ± 0.2 0 PLACES ± 0.2 DRAFT WHERE APPLICABLE MUST REMAIN WITHIN DIMENSIONS	DIMENSION UNITS	SCALE			
	2016/10/12	2016/12/28	2016/12/28		MM	---			
	YMIZUNO02	YKOBAYASHI02	TKUSUHARA01		DRWN BY	DATE		DATE	
	YMIZUNO02	YKOBAYASHI02	TKUSUHARA01		CHK'D BY	DATE		DATE	
	YMIZUNO02	YKOBAYASHI02	TKUSUHARA01		APPR BY	DATE		DATE	
A	REV	A3		THIRD ANGLE PROJECTION		1.0 FPC CONN ZIF ASSY SMT ST EMBSTP PKG PRODUCT CUSTOMER DRAWING			
RELEASE STATUS		RELEASE DATE		52610		SEE CHART		GENERAL	
				526100000		PSD		000	
								2 OF 5	

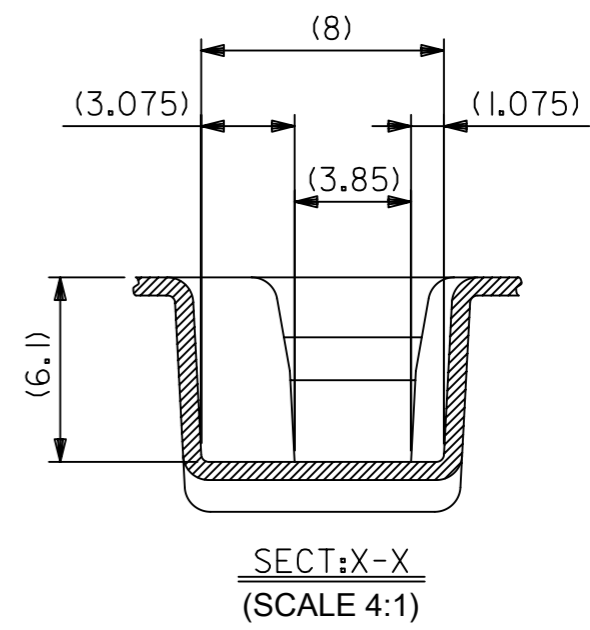
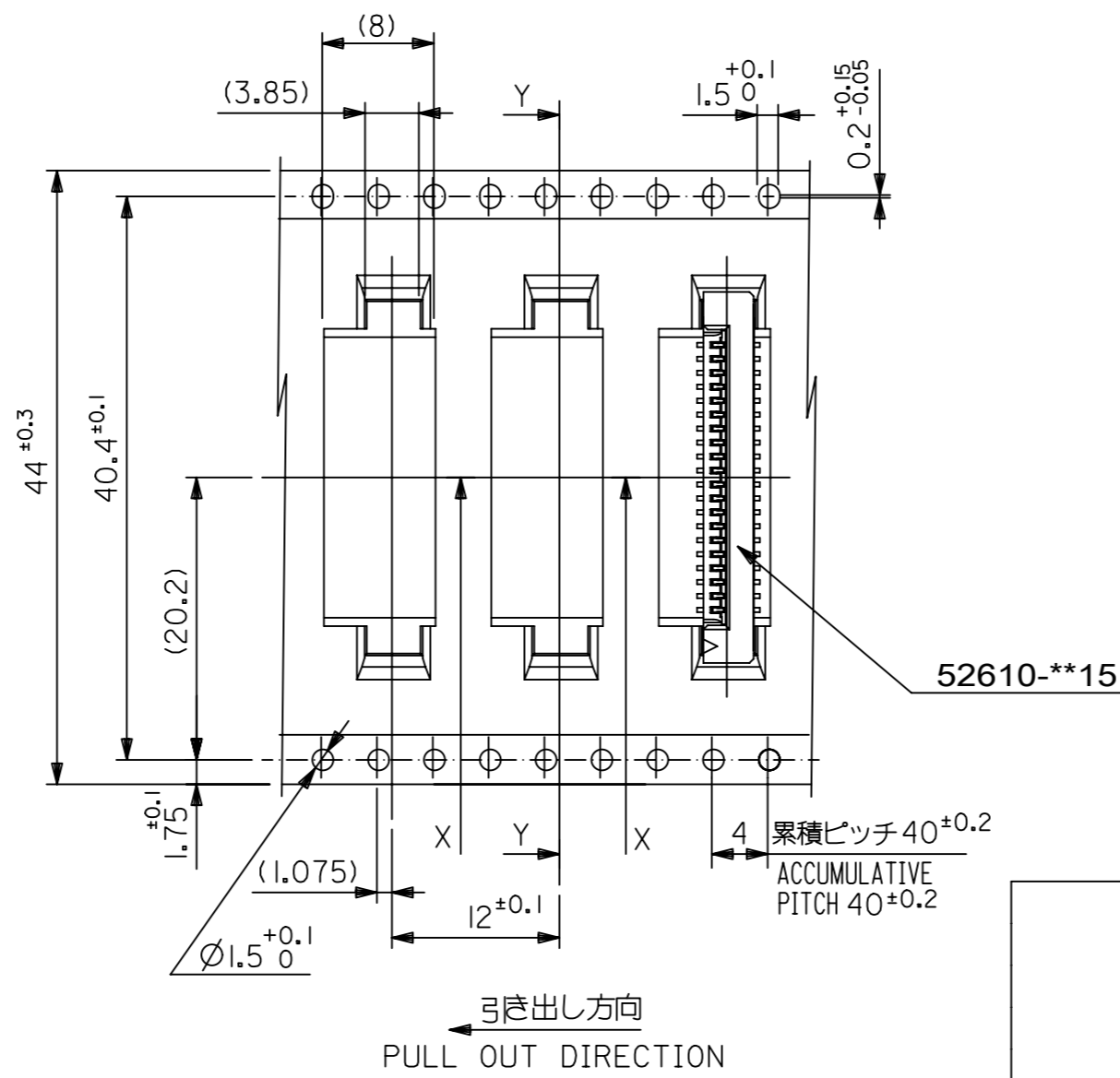
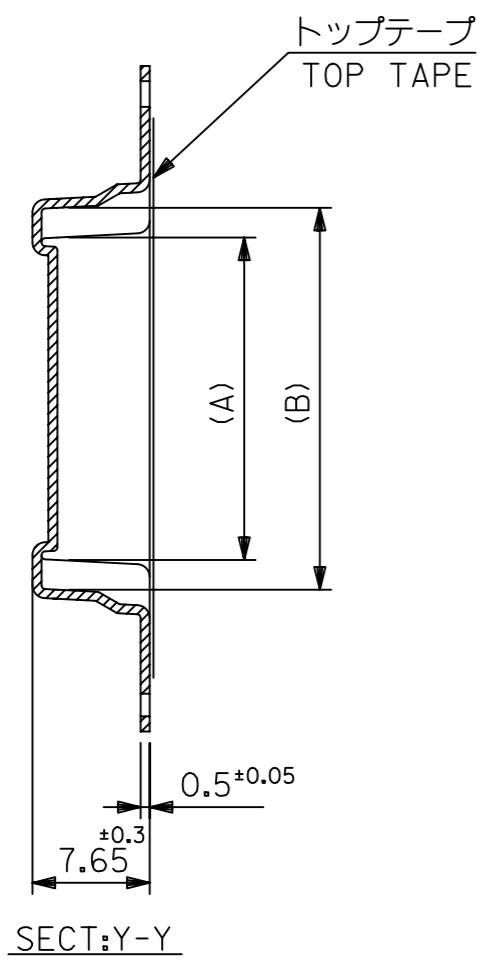


32	37.4	33.4	20.25	16.32	52610-1572	15	
			19.25	15.32	52610-1472	14	
			18.25	14.32	52610-1372	13	
			17.25	13.32	52610-1272	12	
			16.25	12.32	52610-1172	11	
キャリアテープ幅 CARRIER TAPE WIDTH		D	C	(B)	(A)	MATERIAL NO.	極数 CKT

THIS DRAWING CONTAINS INFORMATION THAT IS PROPRIETARY TO MOLEX ELECTRONIC TECHNOLOGIES, LLC AND SHOULD NOT BE USED WITHOUT WRITTEN PERMISSION

EC NO: 106044 DRWN: YMIZUNO02 CHK'D: YKOBAYASHI02 APPR: TKUSUHARA01	2016/10/12	2016/12/28	2016/12/28	GENERAL TOLERANCES (UNLESS SPECIFIED) ANGULAR TOL ± 3.0 ° 4 PLACES ± 0.2 3 PLACES ± 0.2 2 PLACES ± 0.2 1 PLACE ± 0.2 0 PLACES ± 0.2 DRAFT WHERE APPLICABLE MUST REMAIN WITHIN DIMENSIONS	DIMENSION UNITS	SCALE			
	RELEASED	2016/10/12	2016/12/28		MM	---			
	DRWN BY	DATE	YMIZUNO02		2016/10/12	DRWN BY		DATE	1.0 FPC CONN ZIF ASSY SMT ST EMBSTP PKG
	CHK'D BY	DATE	YKOBAYASHI02		2016/12/28	CHK'D BY		DATE	
	APPR BY	DATE	TKUSUHARA01		2016/12/28	APPR BY		DATE	
PRODUCT CUSTOMER DRAWING		SERIES	MATERIAL NUMBER	CUSTOMER					
		52610	SEE CHART	GENERAL					
DOCUMENT NUMBER		DOC TYPE	DOC PART	SHEET NUMBER					
526100000		PSD	000	3 OF 5					

RELEASE STATUS	RELEASE DATE
----------------	--------------



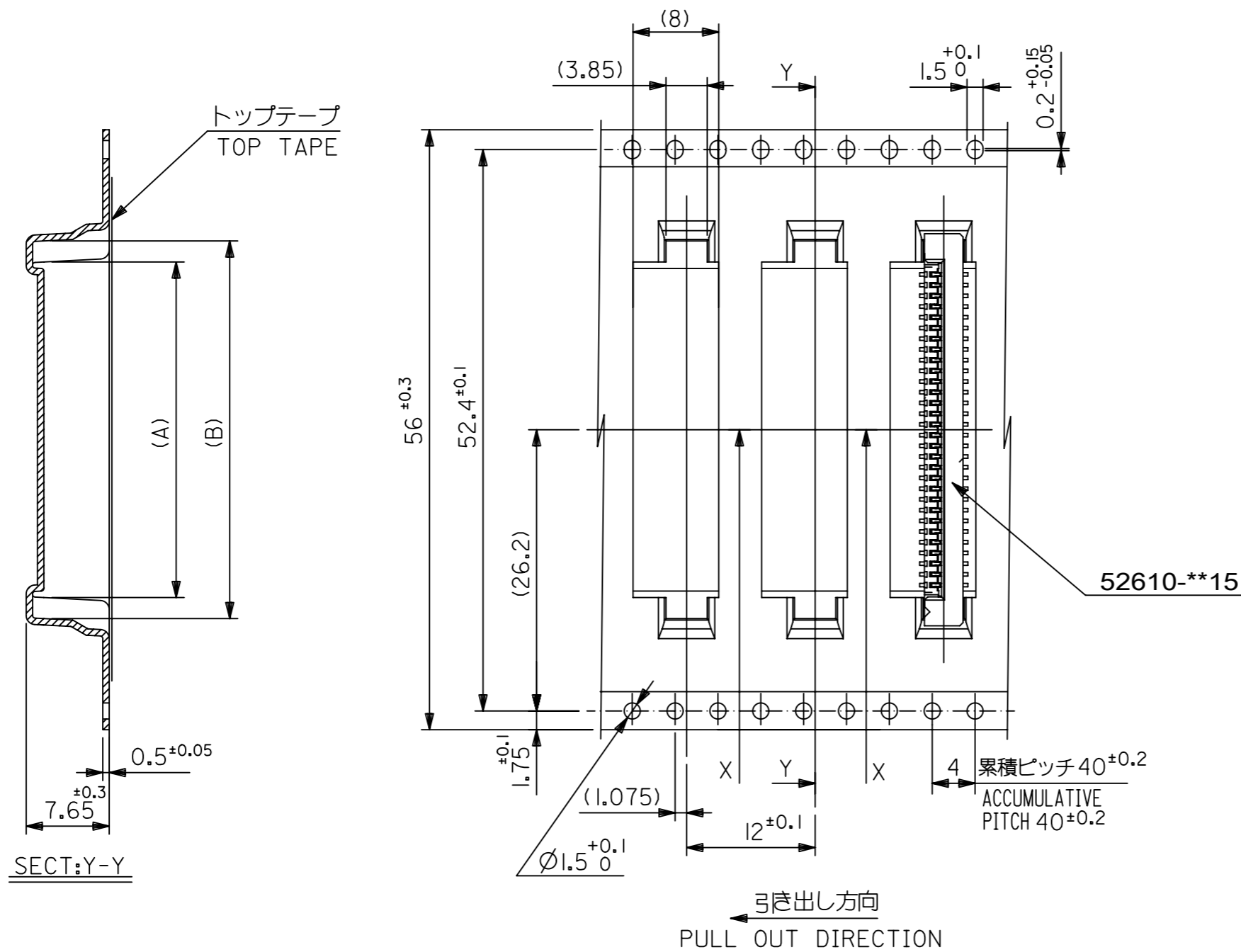
44	49.4	45.4	31.25	27.32	52610-2672	26		
			30.25	26.32	52610-2572	25		
			29.25	25.32	52610-2472	24		
			28.25	24.32	52610-2372	23		
			27.25	23.32	52610-2272	22		
			26.25	22.32	52610-2172	21		
			25.25	21.32	52610-2072	20		
			24.25	20.32	52610-1972	19		
			23.25	19.32	52610-1872	18		
			22.25	18.32	52610-1772	17		
21.25	17.32	52610-1672	16					
キャリアテープ幅 CARRIER TAPE WIDTH			D	C	(B)	(A)	MATERIAL NO.	極数 CKT

THIS DRAWING CONTAINS INFORMATION THAT IS PROPRIETARY TO MOLEX ELECTRONIC TECHNOLOGIES, LLC AND SHOULD NOT BE USED WITHOUT WRITTEN PERMISSION

EC NO: 106044 DRWN: YMIZUNO02 CHK'D: YKOBAYASHI02 APPR: TKUSUHARA01	2016/10/12	2016/12/28	GENERAL TOLERANCES (UNLESS SPECIFIED)		DIMENSION UNITS	SCALE					
	RELEASED		ANGULAR TOL ± 3.0 °		MM	---					
			4 PLACES	± 0.2	DRWN BY	DATE		1.0 FPC CONN ZIF ASSY SMT ST EMBSTP PKG			
			3 PLACES	± 0.2	YMIZUNO02	2016/10/12					
			2 PLACES	± 0.2	CHK'D BY	DATE					
		1 PLACE	± 0.2	YKOBAYASHI02	2016/12/28						
		0 PLACES	± 0.2	APPR BY	DATE	PRODUCT CUSTOMER DRAWING					
				TKUSUHARA01	2016/12/28	SERIES	MATERIAL NUMBER	CUSTOMER			
						52610	SEE CHART	GENERAL			
						DRAWING SIZE	THIRD ANGLE PROJECTION	DOCUMENT NUMBER	DOC TYPE	DOC PART	SHEET NUMBER
						A3		526100000	PSD	000	4 OF 5

DRAFT WHERE APPLICABLE MUST REMAIN WITHIN DIMENSIONS

RELEASE STATUS	RELEASE DATE
----------------	--------------

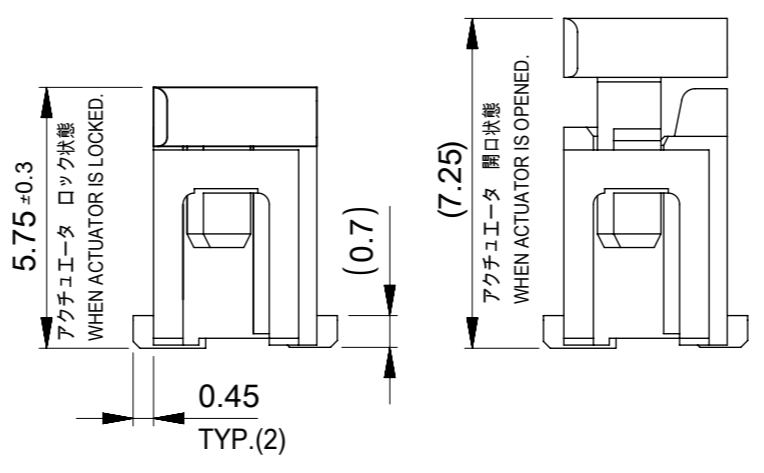
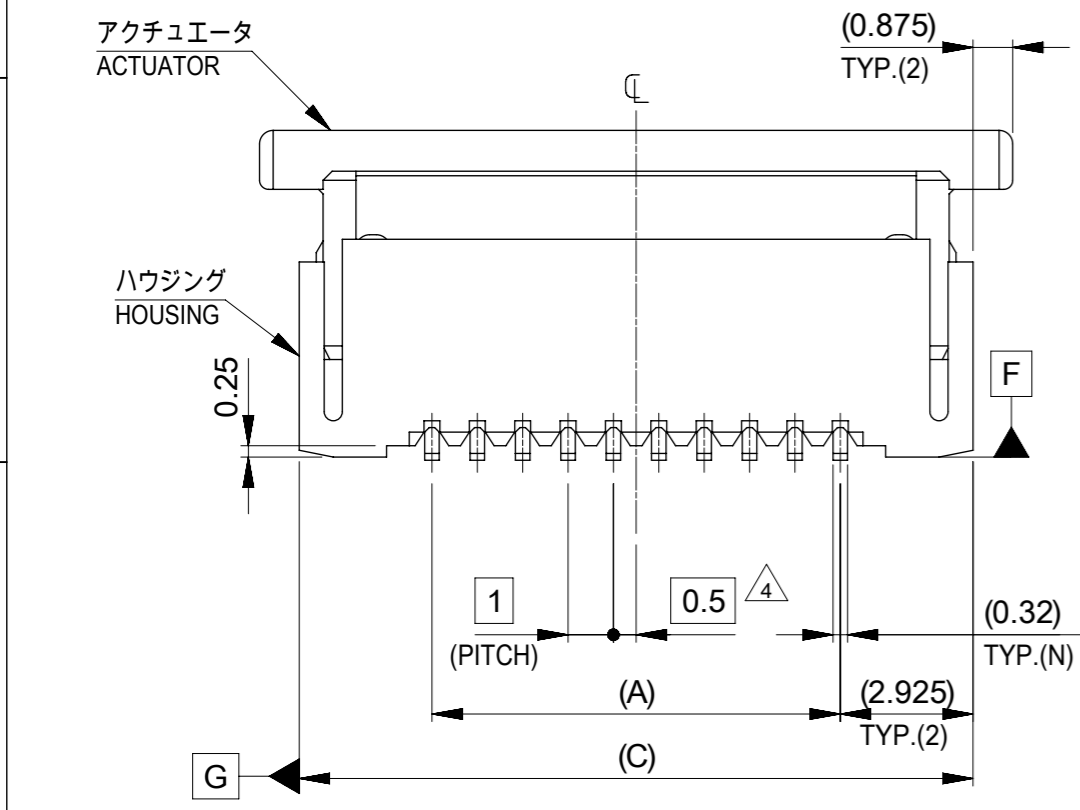
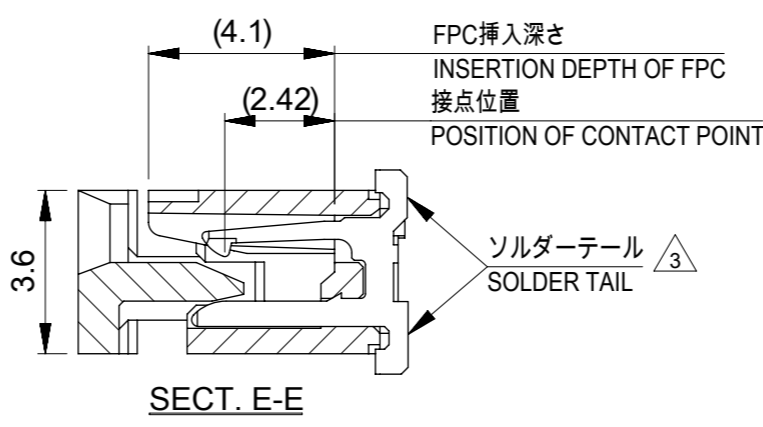
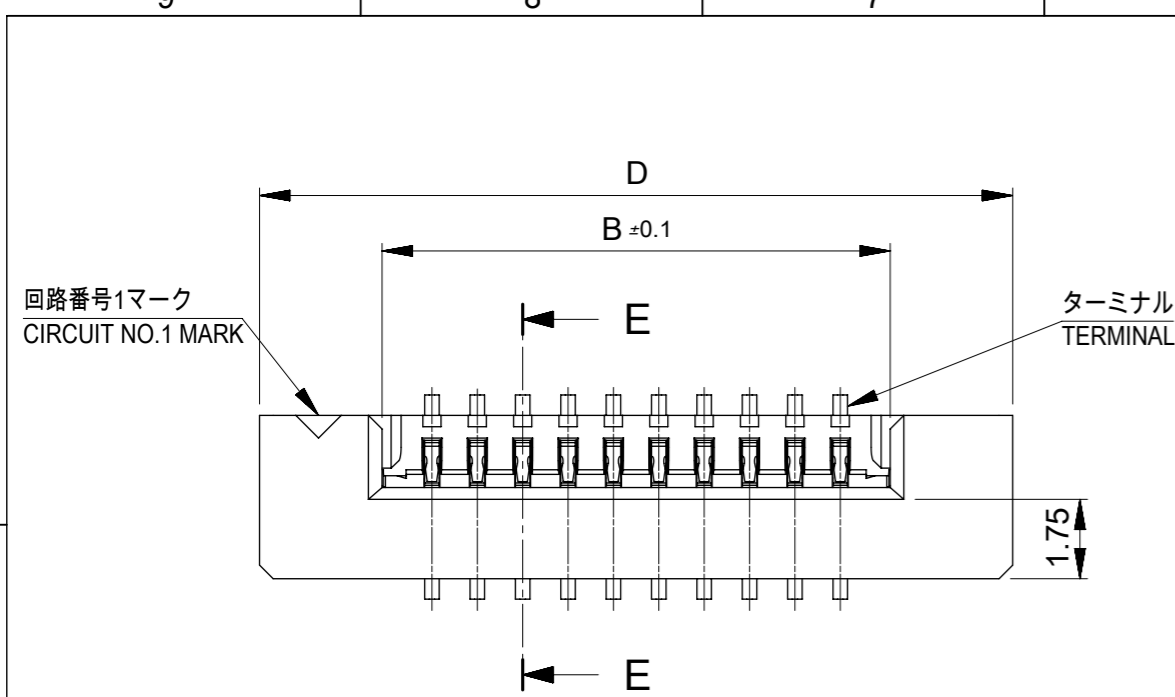


56	61.4	57.4	35.25	31.32	52610-3072	30
			33.25	29.32	52610-2872	28
キャリアテープ幅 CARRIER TAPE WIDTH	D	C	(B)	(A)	MATERIAL NO.	極数 CKT

THIS DRAWING CONTAINS INFORMATION THAT IS PROPRIETARY TO MOLEX ELECTRONIC TECHNOLOGIES, LLC AND SHOULD NOT BE USED WITHOUT WRITTEN PERMISSION

EC NO: 106044 DRWN: YMIZUNO02 CHK'D: YKOBAYASHI02 APPR: TKUSUHARA01	2016/10/12 2016/12/28 2016/12/28	GENERAL TOLERANCES (UNLESS SPECIFIED) ANGULAR TOL ± 3.0 ° 4 PLACES ± 0.2 3 PLACES ± 0.2 2 PLACES ± 0.2 1 PLACE ± 0.2 0 PLACES ± 0.2	DIMENSION UNITS: MM SCALE: --- DRWN BY: YMIZUNO02 DATE: 2016/10/12 CHK'D BY: YKOBAYASHI02 DATE: 2016/12/28 APPR BY: TKUSUHARA01 DATE: 2016/12/28	<p>1.0 FPC CONN ZIF ASSY SMT ST EMBSTP PKG</p> <p>PRODUCT CUSTOMER DRAWING</p> <p>SERIES: 52610 MATERIAL NUMBER: SEE CHART CUSTOMER: GENERAL</p> <p>DOCUMENT NUMBER: 526100000 DOC TYPE: PSD DOC PART: 000 SHEET NUMBER: 5 OF 5</p>
	DRAFT WHERE APPLICABLE MUST REMAIN WITHIN DIMENSIONS	DRAWING SIZE: A3 THIRD ANGLE PROJECTION		

RELEASE STATUS	RELEASE DATE
----------------	--------------



36.6	34.85	31.2	29	52610-3072	52610-3015	30
34.6	32.85	29.2	27	52610-2872	52610-2815	28
32.6	30.85	27.2	25	52610-2672	52610-2615	26
31.6	29.85	26.2	24	52610-2572	52610-2515	25
30.6	28.85	25.2	23	52610-2472	52610-2415	24
29.6	27.85	24.2	22	52610-2372	52610-2315	23
28.6	26.85	23.2	21	52610-2272	52610-2215	22
27.6	25.85	22.2	20	52610-2172	52610-2115	21
26.6	24.85	21.2	19	52610-2072	52610-2015	20
25.6	23.85	20.2	18	52610-1972	52610-1915	19
24.6	22.85	19.2	17	52610-1872	52610-1815	18
23.6	21.85	18.2	16	52610-1772	52610-1715	17
22.6	20.85	17.2	15	52610-1672	52610-1615	16
21.6	19.85	16.2	14	52610-1572	52610-1515	15
20.6	18.85	15.2	13	52610-1472	52610-1415	14
19.6	17.85	14.2	12	52610-1372	52610-1315	13
18.6	16.85	13.2	11	52610-1272	52610-1215	12
17.6	15.85	12.2	10	52610-1172	52610-1115	11
16.6	14.85	11.2	9	52610-1072	52610-1015	10
15.6	13.85	10.2	8	52610-0972	52610-0915	9
14.6	12.85	9.2	7	52610-0872	52610-0815	8
13.6	11.85	8.2	6	52610-0772	52610-0715	7
12.6	10.85	7.2	5	52610-0672	52610-0615	6
11.6	9.85	6.2	4	52610-0572	52610-0515	5
D	(C)	B	(A)	EMBOSSED PACKAGE	MATERIAL NO.	極数 CKT

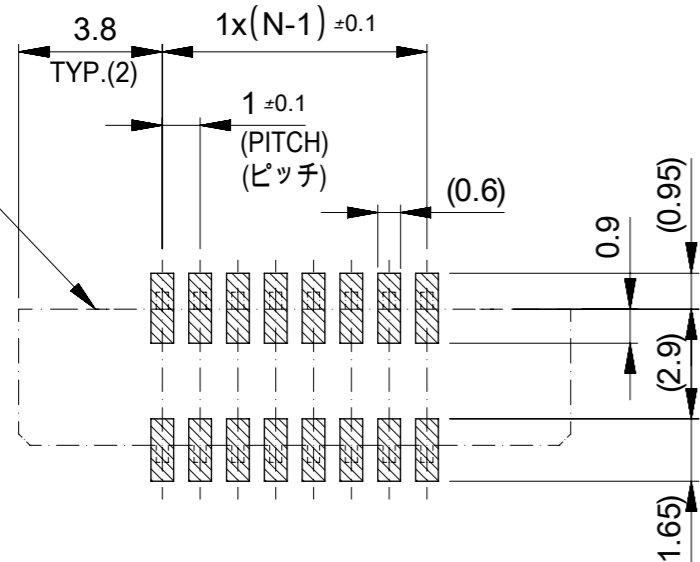
CONNECTOR SERIES NO. 52610-\*\*15

THIS DRAWING CONTAINS INFORMATION THAT IS PROPRIETARY TO MOLEX ELECTRONIC TECHNOLOGIES, LLC AND SHOULD NOT BE USED WITHOUT WRITTEN PERMISSION

DIMENSION UNITS: mm	SCALE: ---	CURRENT REV DESC: REVISED	<b>molex</b>		
GENERAL TOLERANCES (UNLESS SPECIFIED)					
ANGULAR TOL ± 3.0°			PRODUCT CUSTOMER DRAWING		
4 PLACES ± 0.03			EC NO: 600129	2018/04/11	DOCUMENT NUMBER
3 PLACES ± 0.03			DRWN: YCHEN128	2018/04/11	526101000
2 PLACES ± 0.05			CHK'D: KTAKAHASHI	2018/04/12	DOC TYPE
1 PLACE ± 0.1			APPR: NUKITA	2018/04/13	000
0 PLACES ± 0.2			INITIAL REVISION:		
DRAFT WHERE APPLICABLE MUST REMAIN WITHIN DIMENSIONS			DRWN: YMIZUNO02	2016/10/12	DOC PART
THIRD ANGLE PROJECTION			APPR: TKUSUHARA01	2016/12/28	B
DRAWING: A3-SIZE			SERIES: 52610	MATERIAL NUMBER: SEE TABLE	CUSTOMER: GENERAL
			SHEET NUMBER: 1 OF 2		

GENERAL TOLERANCES (UNLESS SPECIFIED)		
10 UNDER		±0.2
10 OVER 30 UNDER		±0.25
30 OVER		±0.3

コネクタ位置  
CONNECTOR  
LOCATION

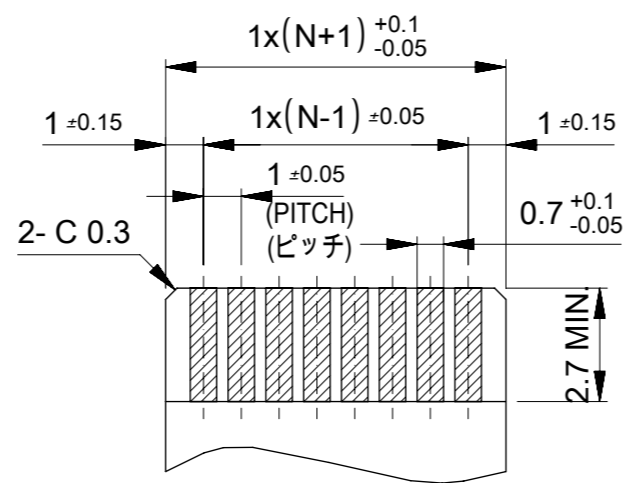


参考基盤レイアウト  
RECOMMENDED P.C. BOARD  
PATTERN LAYOUT (REFERENCE)

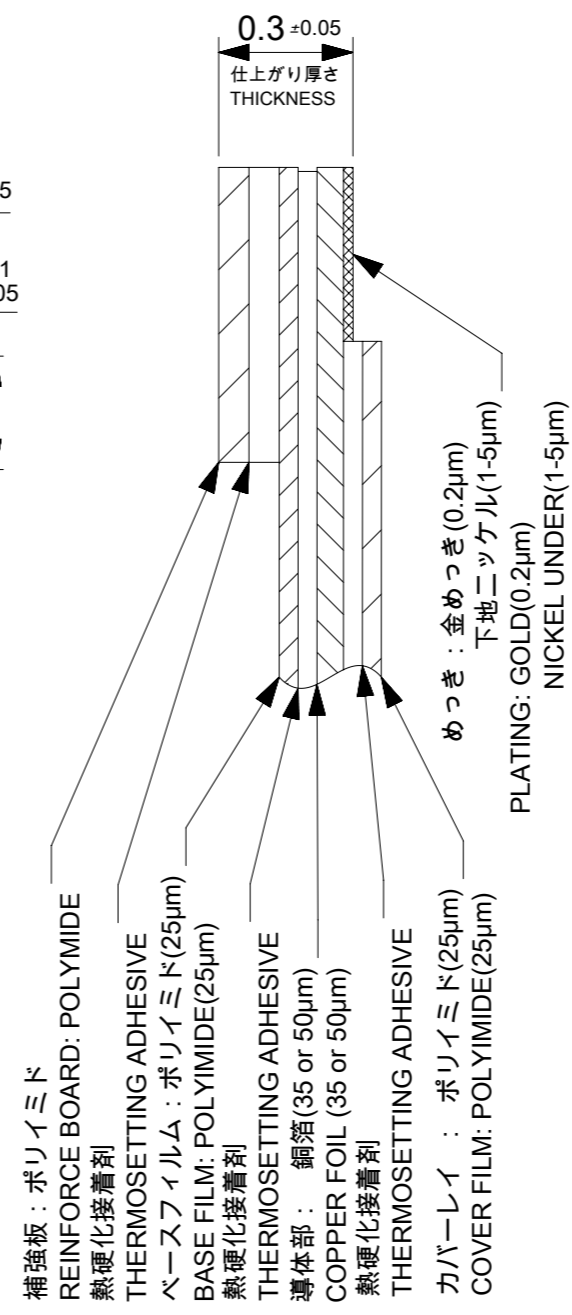
マスク厚 : 120μm  
マスク開口率 : 100%  
SCREEN THICKNESS : 120 MICROMETER  
SCREEN OPEN RATIO : 100%

注記(NOTES):

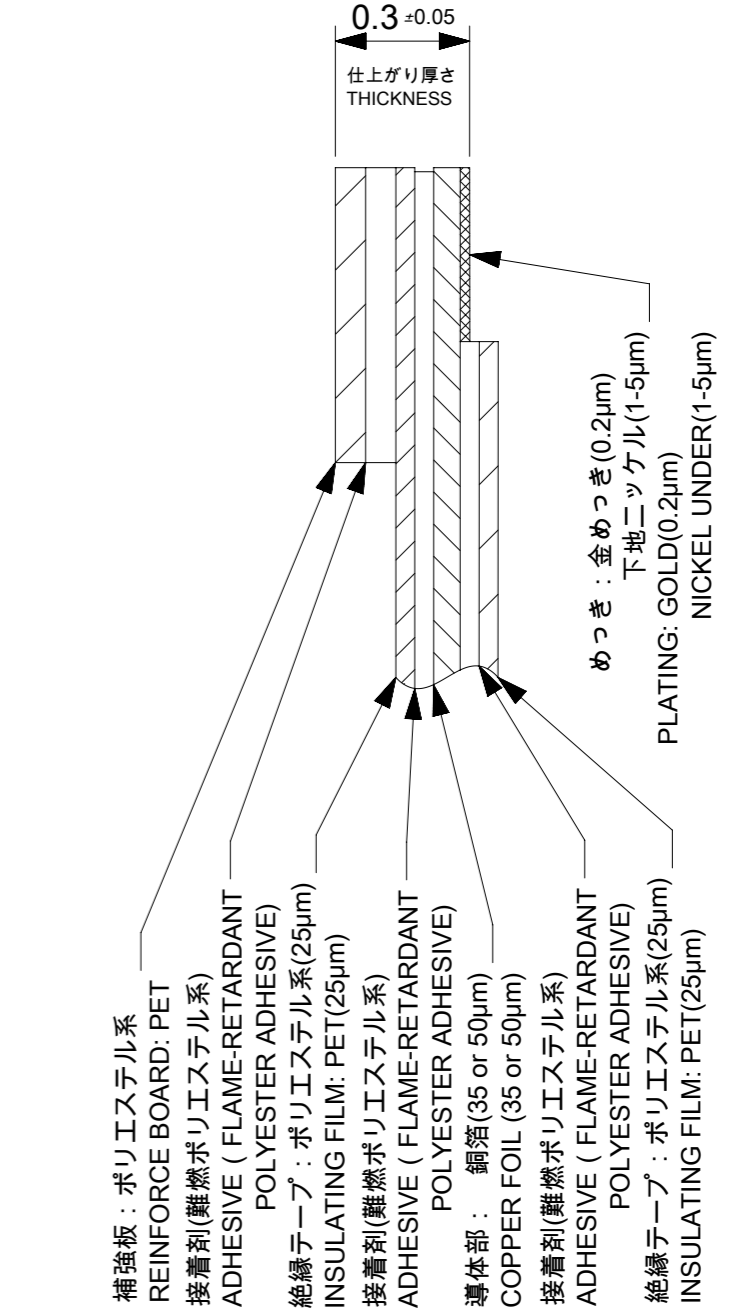
- 材質 MATERIAL  
ハウジング : 46ナイロン、ガラス充填、UL94V-0、ナチュラル(白色)  
アクチュエータ : PPS、ナチュラル(茶色)、ガラス充填、UL94V-0  
ターミナル : リン青銅(t=0.32)  
HOUSING : 46NYLON, GLASS FILLED, UL94V-0, NATURAL(WHITE)  
ACTUAOR : PPS, NATURAL(BROWN), GLASS FILLED, UL94V-0  
TERMINAL : PHOSPHOR BRONZE(t=0.32)
- めっき仕様 PLATING  
ターミナル TERMINAL  
接点部 : 金めっき(0.1μm以上)  
テール部 : 錫めっき(1.0μm以上)  
下地 : ニッケルめっき(1.0μm以上)  
CONTACT : GOLD PLATING (0.1 MICROMETER MINIMUM)  
TAIL : MATTE TIN (1.0 MICROMETER MINIMUM)  
UNDER PLATE : NICKEL PLATING (1.0 MICROMETER MINIMUM)
- 3 ソルダーテール半田付け面のズレ量は、基準面 F に対し  
上方向0.05MAX.、下方向0.15MAX.とする。  
MISALIGNMENT OF SOLDER TAILS FROM F UPPER DIREVTION : 0.05 MAX.  
LOWER DIRECTION : 0.15 MAX.
- 4 偶数極に適用。  
APPLY FOR EVEN CIRCUIT.
- エンボステーブ梱包時は、アクチュエータがロックした状態とする。  
IN THE PACKAGE, ACTUATOR SHOULD BE LOCKED.
- 本製品は52610シリーズの接点金めっき品である。  
THIS PRODUCT IS Au-CONTACT OF 52610 SERIES.



適合FPC/FFC推奨寸法  
APPLICABLE FPC/FFC  
RECOMMENDED DIMENSION  
(仕上がり厚さ : 0.3±0.05)  
(THICKNESS : 0.3±0.05)



FPC構成推奨仕様  
RECOMMENDED STRUCTURE OF FPC



FFC構成推奨仕様  
RECOMMENDED STRUCTURE OF FFC

FPC/FFCについて :

抜き方向は、導体側から補強板側を推奨致します。  
尚、接着剤の接点部への付着は導通不良の原因になりますので、  
染み出しが無い様お願い致します。

ABOUT FPC/FFC:

RECOMMENDED PUNCHER DIRECTION:  
FROM CONDUCTOR SIDE TO STIFFNER SIDE  
PLEASE PUT APPROPRIATE AMOUNT OF ADHESIVE ON ADHEREND  
BECAUSE THERE IS A POSSIBILITY THAT THE EXTRA ADHESIVE  
CAUSES THE DEFECT IN ELECTRICAL CONTINUITY.

THIS DRAWING CONTAINS INFORMATION THAT IS PROPRIETARY TO MOLEX ELECTRONIC TECHNOLOGIES, LLC AND SHOULD NOT BE USED WITHOUT WRITTEN PERMISSION		CURRENT REV DESC: REVISED		<b>molex</b>	
DIMENSION UNITS	SCALE				
mm	---			1.0 FPC CONN ZIF S/T HOUSING ASSY	
GENERAL TOLERANCES (UNLESS SPECIFIED)		EC NO: 600129		PRODUCT CUSTOMER DRAWING	
ANGULAR TOL ± 3.0°		DRWN: YCHEN128 2018/04/11		DOCUMENT NUMBER	
4 PLACES ± 0.03		CHK'D: KTAKAHASHI 2018/04/12		526101000	
3 PLACES ± 0.03		APPR: NUKITA 2018/04/13		DOC TYPE	
2 PLACES ± 0.05		INITIAL REVISION:		PSD	
1 PLACE ± 0.1		DRWN: YMIZUNO02 2016/10/12		000	
0 PLACES ± 0.2		APPR: TKUSUHARA01 2016/12/28		B	
DRAFT WHERE APPLICABLE MUST REMAIN WITHIN DIMENSIONS		THIRD ANGLE PROJECTION	DRAWING	SERIES	MATERIAL NUMBER
			A3-SIZE	52610	SEE TABLE
					CUSTOMER
					GENERAL
					SHEET NUMBER
					2 OF 2

GENERAL TOLERANCES (UNLESS SPECIFIED)		
10 UNDER	±0.2	
10 OVER 30 UNDER	±0.25	
30 OVER	±0.3	