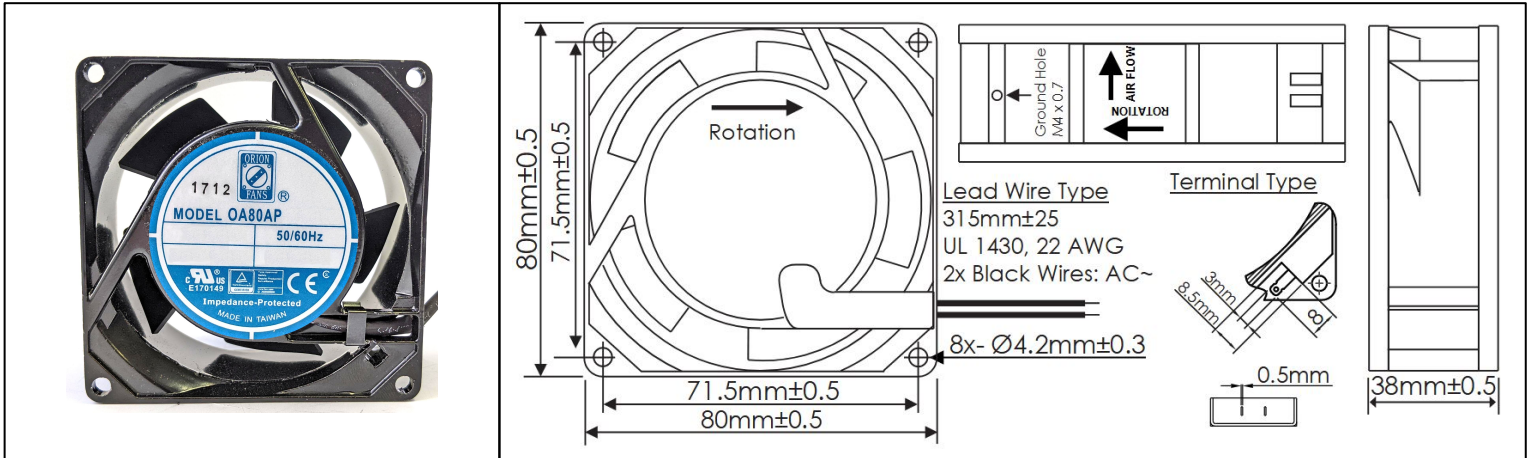


OA80AP Series



AC Fans - 115, 230V
80mm x 38mm (3.2" x 1.5")



Frame	Die Cast Aluminum, Black Finish	Operating Temperature -20°C ~ +80°C (Ball Bearing) -10°C ~ +50°C (Sleeve Bearing) Storage Temperature -40°C ~ +80°C (Ball Bearing) Life Expectancy 60K Hours (L10 @ 30°C, Ball) 30K Hours (L10 @ 30°C, Sleeve) Weight: 0.62 lbs.	
Impeller	PBT, UL94 V-0 Plastic		
Connection	2x Lead Wires, 22 AWG, or Terminals		
Motor	Shaded Pole, Single Phase, Impedance Protected		
Bearing System	Ball, or Sleeve Bearings		
Dielectric Strength	1500VAC/min, <1mA		
Insulation Resistance	≥10M Ohm @ 500 VAC		

Part Number	Rated Voltage (Volts AC)	Voltage Range (Volts AC)	Frequency (Hertz)	Input Power (Watts)	Rated Speed (RPM)	Max Airflow (CFM)	Noise Level (dBA)	Max Static Pressure (\"H2O)
OA80AP-11-1*B	115	100 ~ 125	50 / 60	14 / 12	2400 / 2800	25 / 30	31.3 / 34.2	0.15 / 0.21
OA80AP-11-2*B	115	100 ~ 125	50 / 60	11 / 9	2100 / 2375	21 / 23	24.1 / 26.3	0.12 / 0.16
OA80AP-11-3*B	115	100 ~ 125	50 / 60	7 / 5	1750 / 1725	17 / 16	20.4 / 20.1	0.11 / 0.09
OA80AP-22-1*B	230	200 ~ 245	50 / 60	14 / 12	2400 / 2800	25 / 30	31.3 / 34.2	0.15 / 0.21
OA80AP-22-2*B	230	200 ~ 245	50 / 60	11 / 9	2100 / 2375	21 / 23	24.1 / 26.3	0.12 / 0.16
OA80AP-22-3*B	230	200 ~ 245	50 / 60	7 / 5	1750 / 1725	17 / 16	20.4 / 20.1	0.11 / 0.09

*Insert "T" for Terminal Connection, "W" for Wire Leads