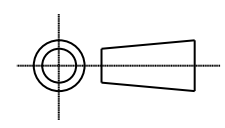


| | | | |
|------|-----------|--------|-------------|
| ISS. | DATE | E.C.N. | DESCRIPTION |
| 1 | 19-Jun-09 | | FIRST ISSUE |

© 2008 CARCLO
ALL DIMENSIONS IN mm



CARCLO TECHNICAL PLASTICS (SLOUGH) LTD.
111 BUCKINGHAM AVE, SLOUGH
SL1 4PF, ENGLAND
TEL: +44 1753 575011 FAX: +44 1753 811359
e-mail: design@ctpcoil.co.uk}

CUSTOMER DRAWING



SCALE 1:1
GENERAL VIEW

GENERAL TOLERANCES (UNLESS STATED)

| | |
|---------------|---------------|
| LINEAR | ANGULAR |
| X +/- 0.25 | X +/- 1° |
| X.X +/- 0.1 | X.X +/- 0.5° |
| X.XX +/- 0.05 | X.XX +/- 0.1° |

CUSTOMER

CARCLO

TITLE

30 mm OPTIC 0.6mm OFFSET
PLAIN & FROSTED

DRAWN

MKI

DATE

19-Jun-09

CHK'D

DATE

APP'D

DATE

SCALE

2:1

COIL PART No.

SEE TABLE

SIZE

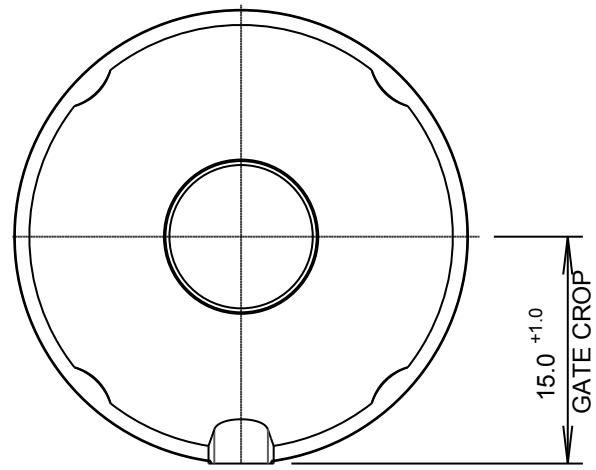
A4

COIL DRG. No.

60578

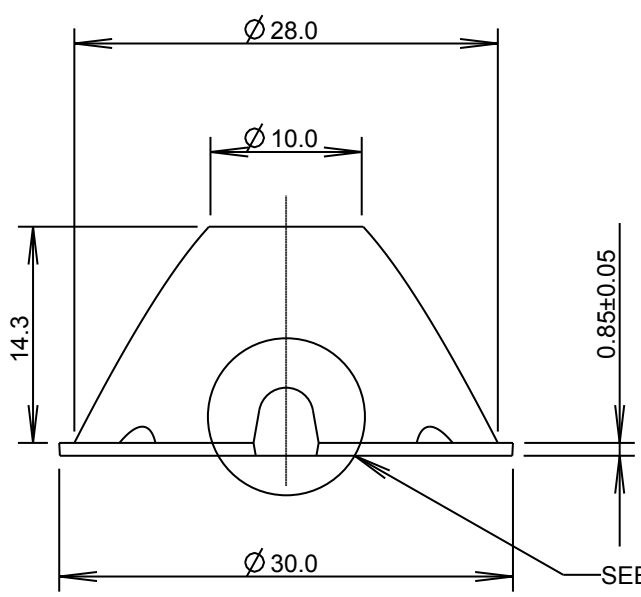
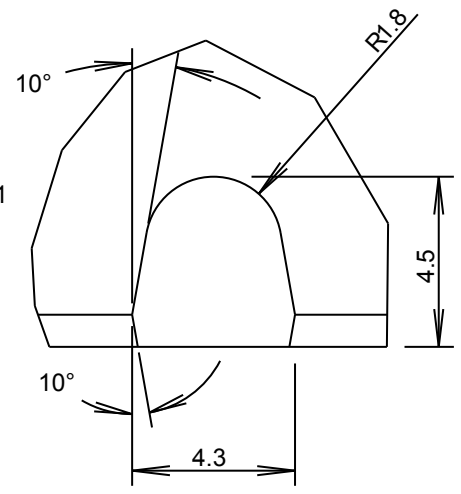
SHEET

1 OF 1



15.0 +1.0
GATE CROP

DETAIL A
SCALE 5:1



SEE DETAIL A

| PART NO. | DESCRIPTION |
|----------|----------------|
| 10755 | PLAIN FRONT |
| 10756 | NARROW FROSTED |
| 10757 | MEDIUM FROSTED |

MATERIAL: POLYCARBONATE