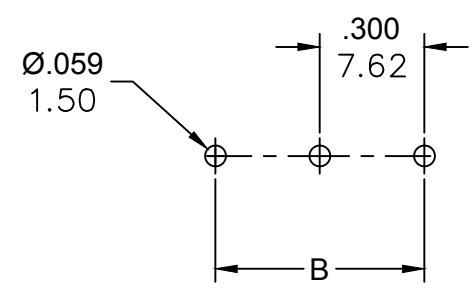
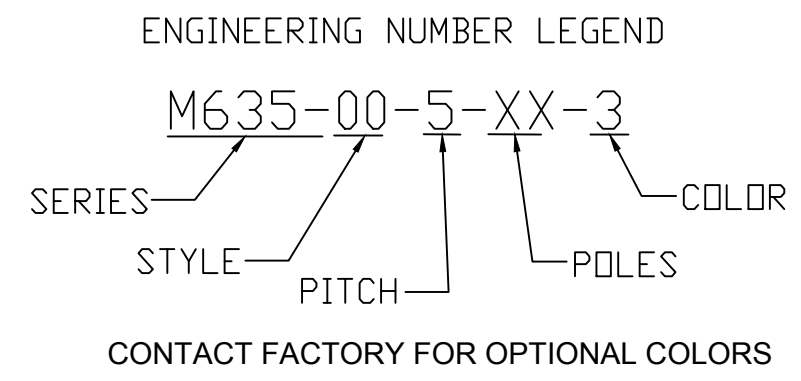
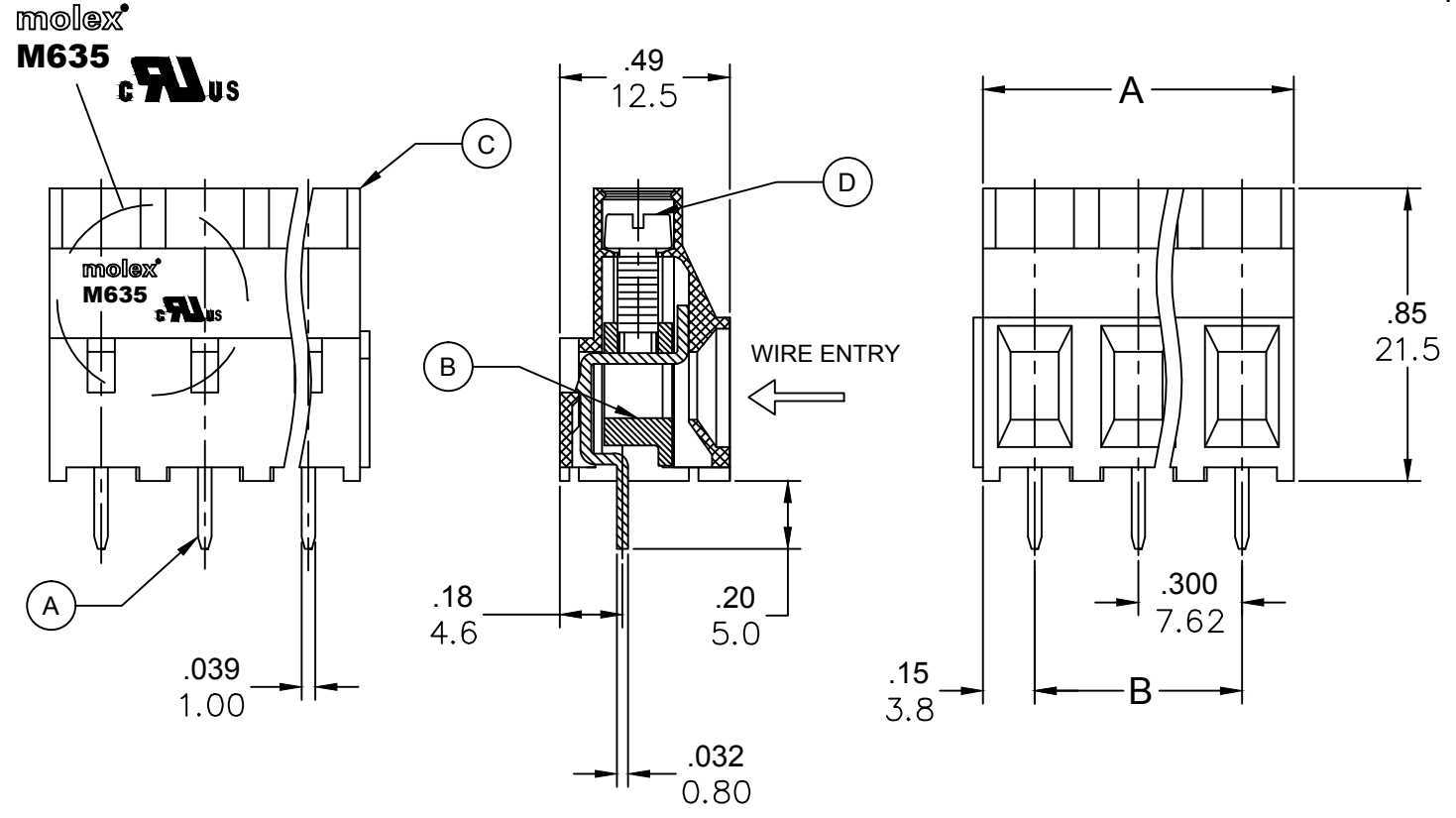


PART NUMBER DATA							
CIRCUITS	PART NUMBER	ENGINEERING NUMBER	COLOR	A IN mm		B IN mm	
2	397420002	M635-00-5-02-3	GREEN	.60	15.2	.300	7.62
3	397420003	M635-00-5-03-3	GREEN	.90	22.9	.600	15.24

REF. LAST 2 DIGITS OF PART NUMBER EQUAL CIRCUIT COUNT



SPECIFICATIONS:

- MATERIAL:
 - TERMINAL: BRASS, TIN PLATED
 - CAGE: BRASS, NI PLATED
 - BODY: PA66, UL94 V-0
 - SCREW: M3, STEEL ZINC PLATED
- RATING: 300V, 30A
- MAX TORQUE: 5.0 LBF. IN.
- WIRE RANGE: 30-10 AWG
- WIRE STRIP: .28 IN, (7.0mm)
- DIELECTRIC VOLTAGE WITHSTAND: AC 2500V FOR 1 MINUTE.
- INSULATION RESISTANCE: DC 500V, 500MΩ
- RATED IMPULSE VOLTAGE: 4000V, PLUS AND MINUS 5 TIMES EACH
- OPERATING TEMPERATURE: -40°C TO +105°C
- MAX SOLDERING TEMP: 260°C (500°F) FOR 5 SECONDS
- DIMS. SHOWN ARE FOR REFERENCE ONLY

TOLERANCES			
MM	TOL	INCH	TOL
0-6	±0.25	0-.24	±.010
>6-30	±0.40	.24-1.18	±.016
>30-120	±0.50	1.18-4.76	±.020
>120	±0.80	>4.76	±.031

REVISED DOC TOL EC NO: IPG2017-0881 DRWN: ABENJAMI CHKD: --- APPR: BRUPERT 2014/10/16	QUALITY SYMBOLS ▽=0 ◻=0	GENERAL TOLERANCES (UNLESS SPECIFIED)		DIMENSION STYLE	SCALE	DESIGN UNITS	THIRD ANGLE PROJECTION	
				IN/MM	---	METRIC		
				DRAWN BY DATE	TITLE			
				CHECKED BY DATE	EURO TERMINAL BLOCK 7.62MM MODULAR, VERTICAL			
		ANGULAR ±---°		APPROVED BY DATE	MOLEX INCORPORATED			
		DRAFT WHERE APPLICABLE MUST REMAIN WITHIN DIMENSIONS		JFMURPHY 2014/10/16	DOCUMENT NO.		SHEET NO.	
A1	REV	SEE CHART		SD-39742-001			1 OF 1	
THIS DRAWING CONTAINS INFORMATION THAT IS PROPRIETARY TO MOLEX INCORPORATED AND SHOULD NOT BE USED WITHOUT WRITTEN PERMISSION								