

# Quad Analog Switch/ Quad Multiplexer

## MC14016B

The MC14016B quad bilateral switch is constructed with MOS P-channel and N-channel enhancement mode devices in a single monolithic structure. Each MC14016B consists of four independent switches capable of controlling either digital or analog signals. The quad bilateral switch is used in signal gating, chopper, modulator, demodulator and CMOS logic implementation.

### Features

- Diode Protection on All Inputs
- Supply Voltage Range = 3.0 Vdc to 18 Vdc
- Linearized Transfer Characteristics
- Low Noise –  $12 \text{ nV}/\sqrt{\text{Cycle}}$ ,  $f \geq 1.0 \text{ kHz}$  typical
- Pin-for-Pin Replacements for CD4016B, CD4066B (Note Improved Transfer Characteristic Design Causes More Parasitic Coupling Capacitance than CD4016)
- For Lower  $R_{ON}$ , Use The HC4016 High-Speed CMOS Device or The MC14066B
- This Device Has Inputs and Outputs Which Do Not Have ESD Protection. Antistatic Precautions Must Be Taken
- NLV Prefix for Automotive and Other Applications Requiring Unique Site and Control Change Requirements; AEC-Q100 Qualified and PPAP Capable\*
- These Devices are Pb-Free and are RoHS Compliant

### MAXIMUM RATINGS (Voltages Referenced to $V_{SS}$ )

| Symbol            | Parameter                                       | Value                  | Unit |
|-------------------|---|------------------------|------|
| $V_{DD}$          | DC Supply Voltage Range                         | -0.5 to +18.0          | V    |
| $V_{in}, V_{out}$ | Input or Output Voltage Range (DC or Transient) | -0.5 to $V_{DD} + 0.5$ | V    |
| $I_{in}$          | Input Current (DC or Transient) per Control Pin | $\pm 10$               | mA   |
| $I_{SW}$          | Switch Through Current                          | $\pm 25$               | mA   |
| $P_D$             | Power Dissipation, per Package (Note 1)         | 500                    | mW   |
| $T_A$             | Ambient Temperature Range                       | -55 to +125            | °C   |
| $T_{stg}$         | Storage Temperature Range                       | -65 to +150            | °C   |
| $T_L$             | Lead Temperature (8-Second Soldering)           | 260                    | °C   |

Stresses exceeding those listed in the Maximum Ratings table may damage the device. If any of these limits are exceeded, device functionality should not be assumed, damage may occur and reliability may be affected.

1. Temperature Derating: "D/DW" Packages: -7.0 mW/°C From 65°C To 125°C

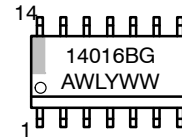
This device contains protection circuitry to guard against damage due to high static voltages or electric fields. However, precautions must be taken to avoid applications of any voltage higher than maximum rated voltages to this high-impedance circuit. For proper operation,  $V_{in}$  and  $V_{out}$  should be constrained to the range  $V_{SS} \leq (V_{in} \text{ or } V_{out}) \leq V_{DD}$ .

Unused inputs must always be tied to an appropriate logic voltage level (e.g., either  $V_{SS}$  or  $V_{DD}$ ). Unused outputs must be left open.



SOIC-14  
D SUFFIX  
CASE 751A

### MARKING DIAGRAM



A = Assembly Location  
WL = Wafer Lot  
Y = Year  
WW = Work Week  
G = Pb-Free Indicator

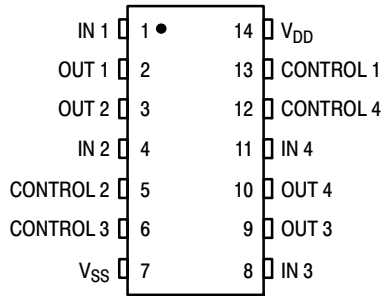
### ORDERING INFORMATION

| Device         | Package           | Shipping†          |
|----------------|-------------------|--------------------|
| MC14016BDG     | SOIC-14 (Pb-Free) | 55 Units / Tube    |
| MC14016BDR2G   | SOIC-14 (Pb-Free) | 2500 / Tape & Reel |
| NLV14016BDR2G* | SOIC-14 (Pb-Free) | 2500 / Tape & Reel |

†For information on tape and reel specifications, including part orientation and tape sizes, please refer to our Tape and Reel Packaging Specifications Brochure, [BRD8011/D](#).

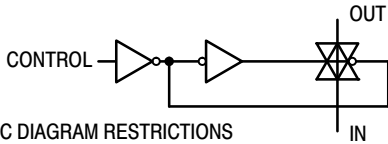
# MC14016B

## PIN ASSIGNMENT



## LOGIC DIAGRAM

(1/4 OF DEVICE SHOWN)

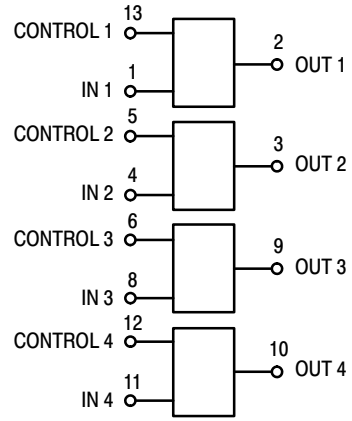


LOGIC DIAGRAM RESTRICTIONS

$$V_{SS} \leq V_{in} \leq V_{DD}$$

$$V_{SS} \leq V_{out} \leq V_{DD}$$

## BLOCK DIAGRAM



$V_{DD} = \text{PIN } 14$   
 $V_{SS} = \text{PIN } 7$

| Control      | Switch |
|--------------|--------|
| 0 = $V_{SS}$ | Off    |
| 1 = $V_{DD}$ | On     |

# MC14016B

## ELECTRICAL CHARACTERISTICS (Voltages Referenced to $V_{SS}$ )

| Characteristic  | Figure | Symbol          | $V_{DD}$<br>Vdc | -55°C |      | 25°C |                 |      | 125°C |      | Unit |
|---|--------|-----------------|-----------------|-------|------|------|-----------------|------|-------|------|------|
|   |        |                 |                 | Min   | Max  | Min  | Typ<br>(Note 2) | Max  | Min   | Max  |      |
| Input Voltage<br>Control Input  | 1      | $V_{IL}$        | 5.0             | -     | -    | -    | 1.5             | 0.9  | -     | -    | Vdc  |
|   |        |                 | 10              | -     | -    | -    | 1.5             | 0.9  | -     | -    |      |
| 15  | -      |                 | -               | -     | 1.5  | 0.9  | -               | -    |       |      |      |
|   |        | $V_{IH}$        | 5.0             | -     | -    | 3.0  | 2.0             | -    | -     | -    | Vdc  |
|   |        |                 | 10              | -     | -    | 8.0  | 6.0             | -    | -     | -    |      |
|   |        |                 | 15              | -     | -    | 13   | 11              | -    | -     | -    |      |
| Input Current Control   | -      | $I_{in}$        | 15              | -     | ±0.1 | -    | ±0.00001        | ±0.1 | -     | ±1.0 | µAdc |
| Input Capacitance<br>Control<br>Switch Input<br>Switch Output<br>Feed Through   | -      | $C_{in}$        | -               | -     | -    | -    | 5.0             | -    | -     | -    | pF   |
|   |        |                 | -               | -     | -    | -    | 5.0             | -    | -     | -    |      |
|   |        |                 | -               | -     | -    | -    | 5.0             | -    | -     | -    |      |
|   |        |                 | -               | -     | -    | -    | 0.2             | -    | -     | -    |      |
| Quiescent Current<br>(Per Package) (Note 3)   | 2,3    | $I_{DD}$        | 5.0             | -     | 0.25 | -    | 0.0005          | 0.25 | -     | 7.5  | µAdc |
|   |        |                 | 10              | -     | 0.5  | -    | 0.0010          | 0.5  | -     | 15   |      |
|   |        |                 | 15              | -     | 1.0  | -    | 0.0015          | 1.0  | -     | 30   |      |
| "ON" Resistance<br>( $V_C = V_{DD}$ , $R_L = 10\text{ k}\Omega$ )<br><br>( $V_{in} = +10\text{ Vdc}$ )<br>( $V_{in} = +0.25\text{ Vdc}$ , $V_{SS} = 0\text{ Vdc}$ )<br>( $V_{in} = +5.6\text{ Vdc}$ )<br><br>( $V_{in} = +15\text{ Vdc}$ )<br>( $V_{in} = +0.25\text{ Vdc}$ , $V_{SS} = 0\text{ Vdc}$ )<br>( $V_{in} = +9.3\text{ Vdc}$ ) | 4,5,6  | $R_{ON}$        | -               | -     | 600  | -    | 260             | 660  | -     | 840  | Ω    |
|   |        |                 | -               | -     | 600  | -    | 310             | 660  | -     | 840  |      |
|   |        |                 | 10              | -     | 600  | -    | 310             | 660  | -     | 840  |      |
|   |        |                 | -               | -     | 360  | -    | 260             | 400  | -     | 520  |      |
|   |        |                 | -               | -     | 360  | -    | 260             | 400  | -     | 520  |      |
|   |        | 15              | -               | 360   | -    | 300  | 400             | -    | 520   |      |      |
| Δ "ON" Resistance<br>Between any 2 circuits in a common<br>package<br>( $V_C = V_{DD}$ )<br>( $V_{in} = +5.0\text{ Vdc}$ , $V_{SS} = -5.0\text{ Vdc}$ )<br>( $V_{in} = +7.5\text{ Vdc}$ , $V_{SS} = -7.5\text{ Vdc}$ )  | -      | $\Delta R_{ON}$ | -               | -     | -    | -    | -               | -    | -     | -    | Ω    |
|   |        |                 | 5.0             | -     | -    | -    | 15              | -    | -     | -    |      |
|   |        |                 | 7.5             | -     | -    | -    | 10              | -    | -     | -    |      |
| Input/Output Leakage Current<br>( $V_C = V_{SS}$ )<br>( $V_{in} = +7.5$ , $V_{out} = -7.5\text{ Vdc}$ )<br>( $V_{in} = -7.5$ , $V_{out} = +7.5\text{ Vdc}$ )  | -      | -               | -               | -     | -    | -    | -               | -    | -     | -    | µAdc |
|   |        |                 | 7.5             | -     | ±0.1 | -    | ±0.0015         | ±0.1 | -     | ±1.0 |      |
|   |        |                 | 7.5             | -     | ±0.1 | -    | ±0.0015         | ±0.1 | -     | ±1.0 |      |

Product parametric performance is indicated in the Electrical Characteristics for the listed test conditions, unless otherwise noted. Product performance may not be indicated by the Electrical Characteristics if operated under different conditions.

NOTE: All unused inputs must be returned to  $V_{DD}$  or  $V_{SS}$  as appropriate for the circuit application.

2. Data labelled "Typ" is not to be used for design purposes but is intended as an indication of the IC's potential performance.

3. For voltage drops across the switch ( $\Delta V_{switch}$ ) > 600 mV (> 300 mV at high temperature), excessive  $V_{DD}$  current may be drawn; i.e., the current out of the switch may contain both  $V_{DD}$  and switch input components. The reliability of the device will be unaffected unless the Maximum Ratings are exceeded. (See first page of this data sheet.) Reference Figure 14.

# MC14016B

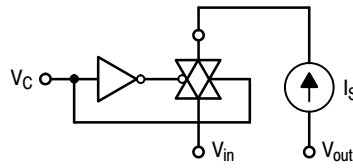
## ELECTRICAL CHARACTERISTICS (Note 4) ( $C_L = 50 \text{ pF}$ , $T_A = 25^\circ\text{C}$ )

| Characteristic   | Figure | Symbol      | $V_{DD}$<br>Vdc | Min    | Typ<br>(Note 5) | Max      | Unit                      |   |      |   |
|--|--------|-------------|-----------------|--------|-----------------|----------|---------------------------|---|------|---|
| Propagation Delay Time ( $V_{SS} = 0 \text{ Vdc}$ )<br>$V_{in}$ to $V_{out}$<br>( $V_C = V_{DD}$ , $R_L = 10 \text{ k}\Omega$ )  | 7      | $t_{PLH}$ , | 5.0             | -      | 15              | 45       | ns                        |   |      |   |
|  |        | $t_{PHL}$   | 10<br>15        | -<br>- | 7.0<br>6.0      | 20<br>15 |                           |   |      |   |
| Control to Output<br>( $V_{in} \leq 10 \text{ Vdc}$ , $R_L = 10 \text{ k}\Omega$ )   | 8      | $t_{PHZ}$ , | 5.0             | -      | 34              | 120      | ns                        |   |      |   |
|  |        | $t_{PLZ}$ , | 10              | -      | 20              | 110      |                           |   |      |   |
|  |        | $t_{PZH}$ , | 15              | -      | 15              | 100      |                           |   |      |   |
|  |        | $t_{PZL}$   |                 |        |                 |          |                           |   |      |   |
| Crosstalk, Control to Output ( $V_{SS} = 0 \text{ Vdc}$ )<br>( $V_C = V_{DD}$ , $R_{in} = 10 \text{ k}\Omega$ , $R_{out} = 10 \text{ k}\Omega$ ,<br>$f = 1.0 \text{ kHz}$ )  | 9      | -           | 5.0             | -      | 30              | -        | mV                        |   |      |   |
|  |        |             | 10              | -      | 50              | -        |                           |   |      |   |
|  |        |             | 15              | -      | 100             | -        |                           |   |      |   |
| Crosstalk between any two switches ( $V_{SS} = 0 \text{ Vdc}$ )<br>( $R_L = 1.0 \text{ k}\Omega$ , $f = 1.0 \text{ MHz}$ ,<br>crosstalk = $20 \log_{10} \frac{V_{out1}}{V_{out2}}$ )   | -      | -           | 5.0             | -      | -80             | -        | dB                        |   |      |   |
| Noise Voltage ( $V_{SS} = 0 \text{ Vdc}$ )<br>( $V_C = V_{DD}$ , $f = 100 \text{ Hz}$ )<br><br>( $V_C = V_{DD}$ , $f = 100 \text{ kHz}$ )  | 10,11  | -           | 5.0             | -      | 24              | -        | nV/ $\sqrt{\text{Cycle}}$ |   |      |   |
|  |        |             | 10              | -      | 25              | -        |                           |   |      |   |
|  |        |             | 15              | -      | 30              | -        |                           |   |      |   |
|  |        |             | 5.0             | -      | 12              | -        |                           |   |      |   |
|  |        |             | 10              | -      | 12              | -        |                           |   |      |   |
|  |        |             | 15              | -      | 15              | -        |                           |   |      |   |
| Second Harmonic Distortion ( $V_{SS} = -5.0 \text{ Vdc}$ )<br>( $V_{in} = 1.77 \text{ Vdc}$ , RMS Centered @ $0.0 \text{ Vdc}$ ,<br>$R_L = 10 \text{ k}\Omega$ , $f = 1.0 \text{ kHz}$ )   | -      | -           | 5.0             | -      | 0.16            | -        | %                         |   |      |   |
| Insertion Loss ( $V_C = V_{DD}$ , $V_{in} = 1.77 \text{ Vdc}$ ,<br>$V_{SS} = -5.0 \text{ Vdc}$ , RMS centered = $0.0 \text{ Vdc}$ , $f = 1.0 \text{ MHz}$ )<br><br>$I_{loss} = 20 \log_{10} \frac{V_{out}}{V_{in}}$<br>( $R_L = 1.0 \text{ k}\Omega$ )<br>( $R_L = 10 \text{ k}\Omega$ )<br>( $R_L = 100 \text{ k}\Omega$ )<br>( $R_L = 1.0 \text{ M}\Omega$ ) | 12     | -           | 5.0             |        |                 |          | dB                        |   |      |   |
|  |        |             |                 |        |                 |          |                           | - | 2.3  | - |
|  |        |             |                 |        |                 |          |                           | - | 0.2  | - |
|  |        |             |                 |        |                 |          |                           | - | 0.1  | - |
|  |        |             |                 |        |                 |          |                           | - | 0.05 | - |
| Bandwidth (-3.0 dB)<br>( $V_C = V_{DD}$ , $V_{in} = 1.77 \text{ Vdc}$ , $V_{SS} = -5.0 \text{ Vdc}$ ,<br>RMS centered @ $0.0 \text{ Vdc}$ )<br>( $R_L = 1.0 \text{ k}\Omega$ )<br>( $R_L = 10 \text{ k}\Omega$ )<br>( $R_L = 100 \text{ k}\Omega$ )<br>( $R_L = 1.0 \text{ M}\Omega$ )   | 12,13  | BW          | 5.0             |        |                 |          | MHz                       |   |      |   |
|  |        |             |                 |        |                 |          |                           | - | 54   | - |
|  |        |             |                 |        |                 |          |                           | - | 40   | - |
|  |        |             |                 |        |                 |          |                           | - | 38   | - |
|  |        |             |                 |        |                 |          |                           | - | 37   | - |
| OFF Channel Feedthrough Attenuation<br>( $V_{SS} = -5.0 \text{ Vdc}$ )<br>( $V_C = V_{SS}$ , $20 \log_{10} \frac{V_{out}}{V_{in}} = -50 \text{ dB}$ )<br>( $R_L = 1.0 \text{ k}\Omega$ )<br>( $R_L = 10 \text{ k}\Omega$ )<br>( $R_L = 100 \text{ k}\Omega$ )<br>( $R_L = 1.0 \text{ M}\Omega$ )   | -      | -           | 5.0             |        |                 |          | kHz                       |   |      |   |
|  |        |             |                 |        |                 |          |                           | - | 1250 | - |
|  |        |             |                 |        |                 |          |                           | - | 140  | - |
|  |        |             |                 |        |                 |          |                           | - | 18   | - |
|  |        |             |                 |        |                 |          |                           | - | 2.0  | - |
|  |        |             |                 |        |                 |          |                           |   |      |   |

4. The formulas given are for typical characteristics only at  $25^\circ\text{C}$ .

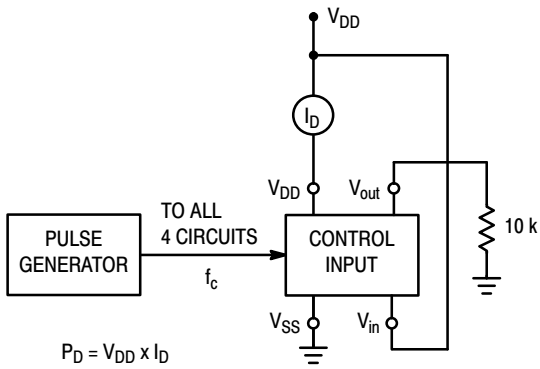
5. Data labelled "Typ" is not to be used for design purposes but is intended as an indication of the IC's potential performance.

# MC14016B

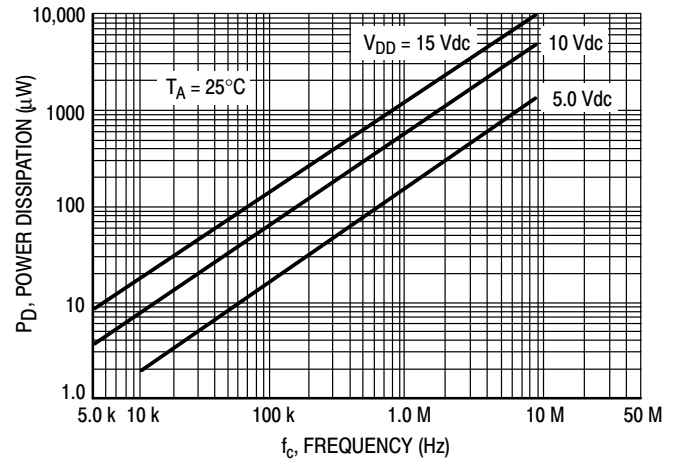


$V_{IL}$ :  $V_C$  is raised from  $V_{SS}$  until  $V_C = V_{IL}$ .  
 at  $V_C = V_{IL}$ :  $I_S = \pm 10 \mu A$  with  $V_{in} = V_{SS}$ ,  $V_{out} = V_{DD}$  or  $V_{in} = V_{DD}$ ,  $V_{out} = V_{SS}$ .  
 $V_{IH}$ : When  $V_C = V_{IH}$  to  $V_{DD}$ , the switch is ON and the  $R_{ON}$  specifications are met.

**Figure 1. Input Voltage Test Circuit**

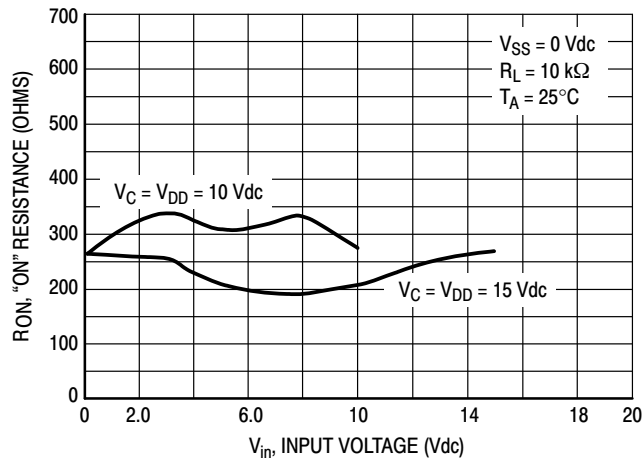


**Figure 2. Quiescent Power Dissipation Test Circuit**



**Figure 3. Typical Power Dissipation per Circuit (1/4 of device shown)**

## TYPICAL $R_{ON}$ VERSUS INPUT VOLTAGE



**Figure 4.  $V_{SS} = 0 V$**

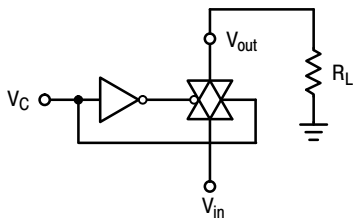


Figure 5.  $R_{ON}$  Characteristics Test Circuit

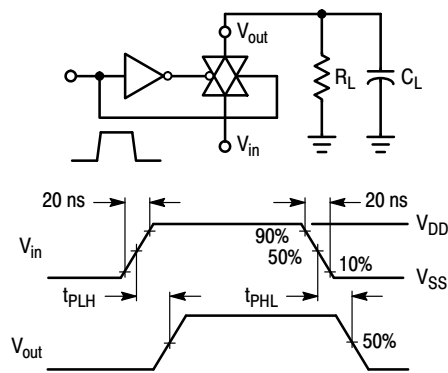


Figure 6. Propagation Delay Test Circuit and Waveforms

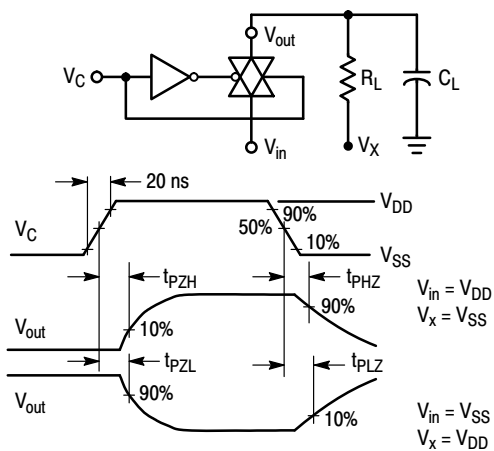


Figure 7. Turn-On Delay Time Test Circuit and Waveforms

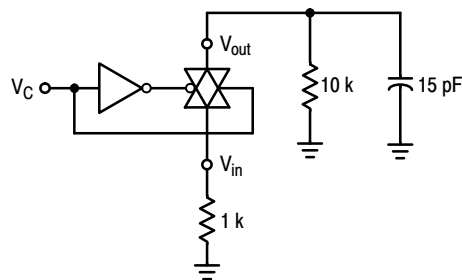


Figure 8. Crosstalk Test Circuit

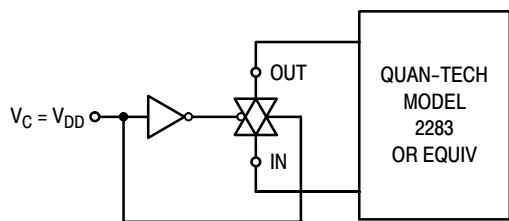


Figure 9. Noise Voltage Test Circuit

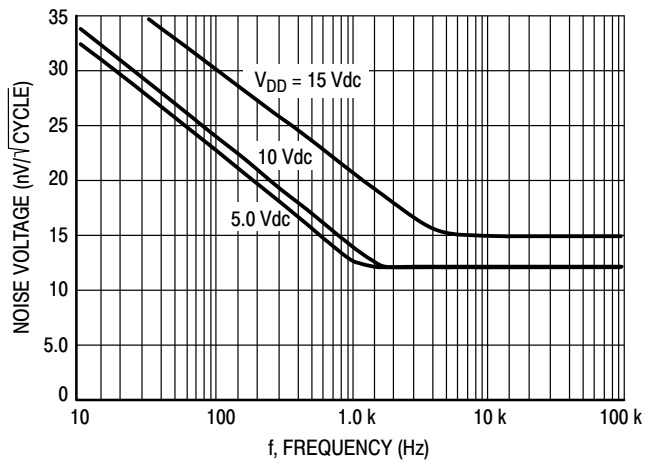
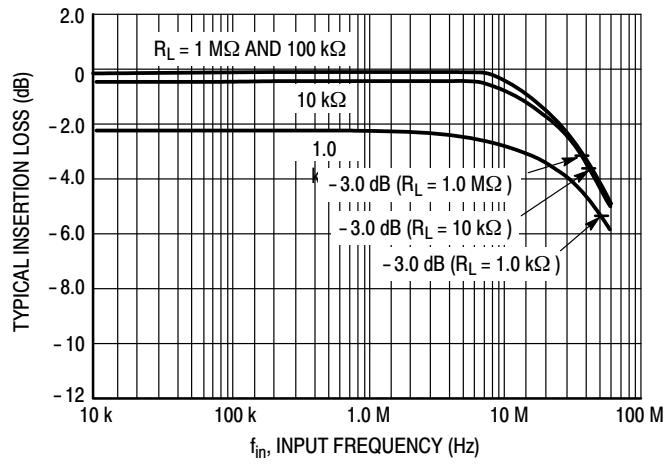
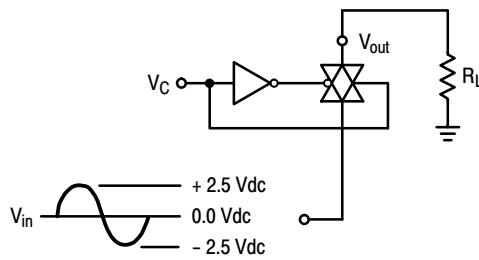


Figure 10. Typical Noise Characteristics

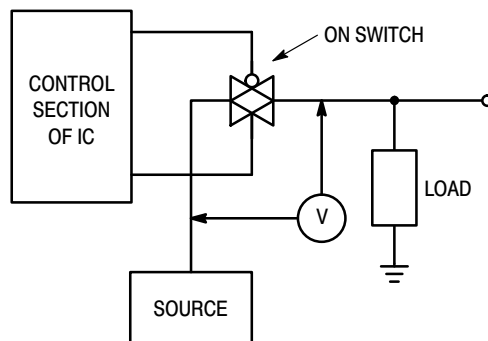
# MC14016B



**Figure 11. Typical Insertion Loss/Bandwidth Characteristics**



**Figure 12. Frequency Response Test Circuit**



**Figure 13.  $\Delta V$  Across Switch**

# MC14016B

## APPLICATIONS INFORMATION

Figure A illustrates use of the Analog Switch. The 0-to-5 V Digital Control signal is used to directly control a 5 V<sub>p-p</sub> analog signal.

The digital control logic levels are determined by V<sub>DD</sub> and V<sub>SS</sub>. The V<sub>DD</sub> voltage is the logic high voltage; the V<sub>SS</sub> voltage is logic low. For the example, V<sub>DD</sub> = +5 V logic high at the control inputs; V<sub>SS</sub> = GND = 0 V logic low.

The maximum analog signal level is determined by V<sub>DD</sub> and V<sub>SS</sub>. The analog voltage must not swing higher than V<sub>DD</sub> or lower than V<sub>SS</sub>.

The example shows a 5 V<sub>p-p</sub> signal which allows no margin at either peak. If voltage transients above V<sub>DD</sub> and/or below V<sub>SS</sub> are anticipated on the analog channels, external diodes (D<sub>x</sub>) are recommended as shown in Figure B. These diodes should be small signal types able to absorb the maximum anticipated current surges during clipping.

The *absolute* maximum potential difference between V<sub>DD</sub> and V<sub>SS</sub> is 18.0 V. Most parameters are specified up to 15 V which is the *recommended* maximum difference between V<sub>DD</sub> and V<sub>SS</sub>.

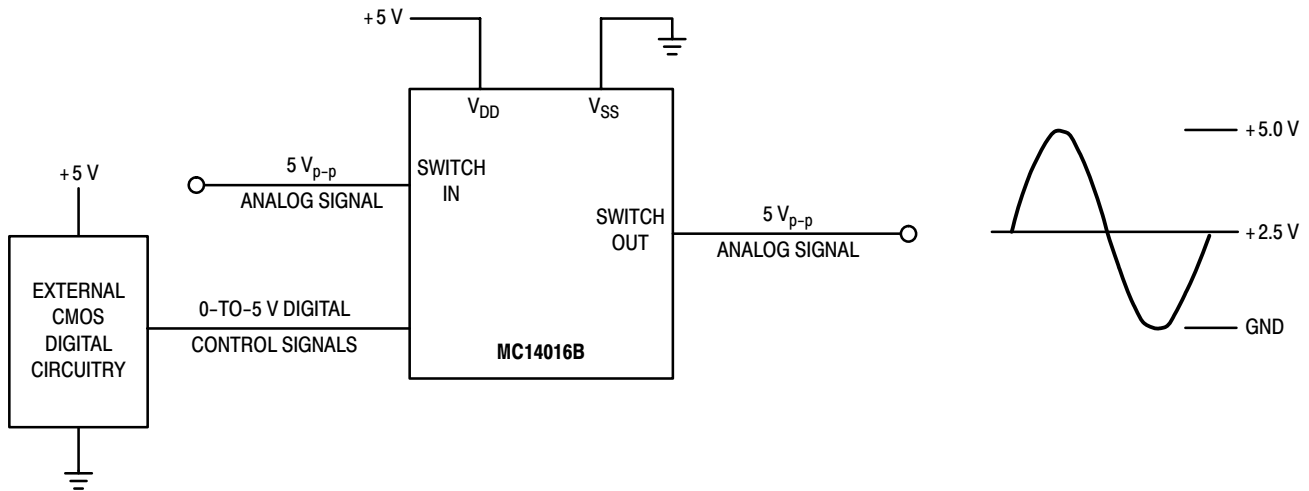


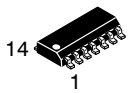
Figure A. Application Example



Figure B. External Germanium or Schottky Clipping Diodes



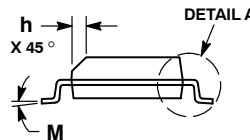
# MECHANICAL CASE OUTLINE PACKAGE DIMENSIONS



SCALE 1:1

SOIC-14 NB  
CASE 751A-03  
ISSUE L

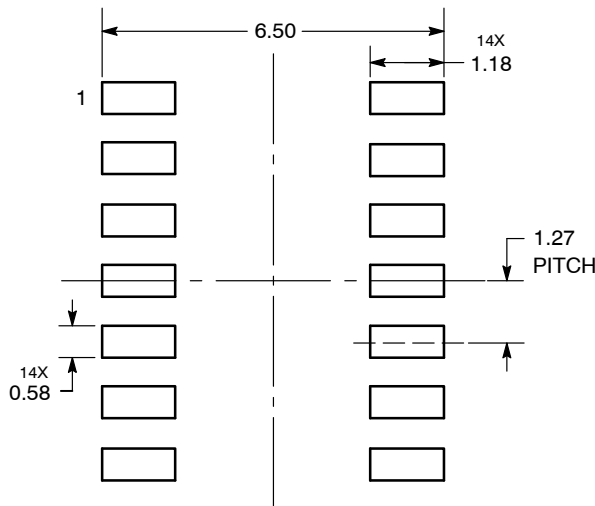
DATE 03 FEB 2016



- NOTES:
1. DIMENSIONING AND TOLERANCING PER ASME Y14.5M, 1994.
  2. CONTROLLING DIMENSION: MILLIMETERS.
  3. DIMENSION b DOES NOT INCLUDE DAMBAR PROTRUSION. ALLOWABLE PROTRUSION SHALL BE 0.13 TOTAL IN EXCESS OF AT MAXIMUM MATERIAL CONDITION.
  4. DIMENSIONS D AND E DO NOT INCLUDE MOLD PROTRUSIONS.
  5. MAXIMUM MOLD PROTRUSION 0.15 PER SIDE.

| DIM | MILLIMETERS |      | INCHES    |       |
|-----|-------------|------|-----------|-------|
|     | MIN         | MAX  | MIN       | MAX   |
| A   | 1.35        | 1.75 | 0.054     | 0.068 |
| A1  | 0.10        | 0.25 | 0.004     | 0.010 |
| A3  | 0.19        | 0.25 | 0.008     | 0.010 |
| b   | 0.35        | 0.49 | 0.014     | 0.019 |
| D   | 8.55        | 8.75 | 0.337     | 0.344 |
| E   | 3.80        | 4.00 | 0.150     | 0.157 |
| e   | 1.27 BSC    |      | 0.050 BSC |       |
| H   | 5.80        | 6.20 | 0.228     | 0.244 |
| h   | 0.25        | 0.50 | 0.010     | 0.019 |
| L   | 0.40        | 1.25 | 0.016     | 0.049 |
| M   | 0°          | 7°   | 0°        | 7°    |

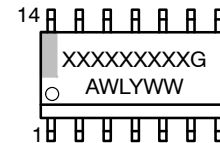
### SOLDERING FOOTPRINT\*



DIMENSIONS: MILLIMETERS

\*For additional information on our Pb-Free strategy and soldering details, please download the ON Semiconductor Soldering and Mounting Techniques Reference Manual, SOLDERRM/D.

### GENERIC MARKING DIAGRAM\*



- XXXXXX = Specific Device Code
- A = Assembly Location
- WL = Wafer Lot
- Y = Year
- WW = Work Week
- G = Pb-Free Package

\*This information is generic. Please refer to device data sheet for actual part marking. Pb-Free indicator, "G" or microdot "▪", may or may not be present. Some products may not follow the Generic Marking.

STYLES ON PAGE 2

|                  |             |  |
|------------------|-------------|--|
| DOCUMENT NUMBER: | 98ASB42565B | Electronic versions are uncontrolled except when accessed directly from the Document Repository. Printed versions are uncontrolled except when stamped "CONTROLLED COPY" in red. |
| DESCRIPTION:     | SOIC-14 NB  | PAGE 1 OF 2  |

onsemi and onsemi are trademarks of Semiconductor Components Industries, LLC dba onsemi or its subsidiaries in the United States and/or other countries. onsemi reserves the right to make changes without further notice to any products herein. onsemi makes no warranty, representation or guarantee regarding the suitability of its products for any particular purpose, nor does onsemi assume any liability arising out of the application or use of any product or circuit, and specifically disclaims any and all liability, including without limitation special, consequential or incidental damages. onsemi does not convey any license under its patent rights nor the rights of others.

**SOIC-14**  
**CASE 751A-03**  
**ISSUE L**

DATE 03 FEB 2016

STYLE 1:  
 PIN 1. COMMON CATHODE  
 2. ANODE/CATHODE  
 3. ANODE/CATHODE  
 4. NO CONNECTION  
 5. ANODE/CATHODE  
 6. NO CONNECTION  
 7. ANODE/CATHODE  
 8. ANODE/CATHODE  
 9. ANODE/CATHODE  
 10. NO CONNECTION  
 11. ANODE/CATHODE  
 12. ANODE/CATHODE  
 13. NO CONNECTION  
 14. COMMON ANODE

STYLE 2:  
 CANCELLED

STYLE 3:  
 PIN 1. NO CONNECTION  
 2. ANODE  
 3. ANODE  
 4. NO CONNECTION  
 5. ANODE  
 6. NO CONNECTION  
 7. ANODE  
 8. ANODE  
 9. ANODE  
 10. NO CONNECTION  
 11. ANODE  
 12. ANODE  
 13. NO CONNECTION  
 14. COMMON CATHODE

STYLE 4:  
 PIN 1. NO CONNECTION  
 2. CATHODE  
 3. CATHODE  
 4. NO CONNECTION  
 5. CATHODE  
 6. NO CONNECTION  
 7. CATHODE  
 8. CATHODE  
 9. CATHODE  
 10. NO CONNECTION  
 11. CATHODE  
 12. CATHODE  
 13. NO CONNECTION  
 14. COMMON ANODE

STYLE 5:  
 PIN 1. COMMON CATHODE  
 2. ANODE/CATHODE  
 3. ANODE/CATHODE  
 4. ANODE/CATHODE  
 5. ANODE/CATHODE  
 6. NO CONNECTION  
 7. COMMON ANODE  
 8. COMMON CATHODE  
 9. ANODE/CATHODE  
 10. ANODE/CATHODE  
 11. ANODE/CATHODE  
 12. ANODE/CATHODE  
 13. NO CONNECTION  
 14. COMMON ANODE

STYLE 6:  
 PIN 1. CATHODE  
 2. CATHODE  
 3. CATHODE  
 4. CATHODE  
 5. CATHODE  
 6. CATHODE  
 7. CATHODE  
 8. ANODE  
 9. ANODE  
 10. ANODE  
 11. ANODE  
 12. ANODE  
 13. ANODE  
 14. ANODE

STYLE 7:  
 PIN 1. ANODE/CATHODE  
 2. COMMON ANODE  
 3. COMMON CATHODE  
 4. ANODE/CATHODE  
 5. ANODE/CATHODE  
 6. ANODE/CATHODE  
 7. ANODE/CATHODE  
 8. ANODE/CATHODE  
 9. ANODE/CATHODE  
 10. ANODE/CATHODE  
 11. COMMON CATHODE  
 12. COMMON ANODE  
 13. ANODE/CATHODE  
 14. ANODE/CATHODE

STYLE 8:  
 PIN 1. COMMON CATHODE  
 2. ANODE/CATHODE  
 3. ANODE/CATHODE  
 4. NO CONNECTION  
 5. ANODE/CATHODE  
 6. ANODE/CATHODE  
 7. COMMON ANODE  
 8. COMMON ANODE  
 9. ANODE/CATHODE  
 10. ANODE/CATHODE  
 11. NO CONNECTION  
 12. ANODE/CATHODE  
 13. ANODE/CATHODE  
 14. COMMON CATHODE

|                         |                    |   |
|-------------------------|--------------------|---|
| <b>DOCUMENT NUMBER:</b> | <b>98ASB42565B</b> | Electronic versions are uncontrolled except when accessed directly from the Document Repository.<br>Printed versions are uncontrolled except when stamped "CONTROLLED COPY" in red. |
| <b>DESCRIPTION:</b>     | <b>SOIC-14 NB</b>  | <b>PAGE 2 OF 2</b>  |

**onsemi** and **ONSEMI** are trademarks of Semiconductor Components Industries, LLC dba **onsemi** or its subsidiaries in the United States and/or other countries. **onsemi** reserves the right to make changes without further notice to any products herein. **onsemi** makes no warranty, representation or guarantee regarding the suitability of its products for any particular purpose, nor does **onsemi** assume any liability arising out of the application or use of any product or circuit, and specifically disclaims any and all liability, including without limitation special, consequential or incidental damages. **onsemi** does not convey any license under its patent rights nor the rights of others.

**onsemi**, **Onsemi**, and other names, marks, and brands are registered and/or common law trademarks of Semiconductor Components Industries, LLC dba "**onsemi**" or its affiliates and/or subsidiaries in the United States and/or other countries. **onsemi** owns the rights to a number of patents, trademarks, copyrights, trade secrets, and other intellectual property. A listing of **onsemi**'s product/patent coverage may be accessed at [www.onsemi.com/site/pdf/Patent-Marking.pdf](http://www.onsemi.com/site/pdf/Patent-Marking.pdf). **onsemi** reserves the right to make changes at any time to any products or information herein, without notice. The information herein is provided "as-is" and **onsemi** makes no warranty, representation or guarantee regarding the accuracy of the information, product features, availability, functionality, or suitability of its products for any particular purpose, nor does **onsemi** assume any liability arising out of the application or use of any product or circuit, and specifically disclaims any and all liability, including without limitation special, consequential or incidental damages. Buyer is responsible for its products and applications using **onsemi** products, including compliance with all laws, regulations and safety requirements or standards, regardless of any support or applications information provided by **onsemi**. "Typical" parameters which may be provided in **onsemi** data sheets and/or specifications can and do vary in different applications and actual performance may vary over time. All operating parameters, including "Typicals" must be validated for each customer application by customer's technical experts. **onsemi** does not convey any license under any of its intellectual property rights nor the rights of others. **onsemi** products are not designed, intended, or authorized for use as a critical component in life support systems or any FDA Class 3 medical devices or medical devices with a same or similar classification in a foreign jurisdiction or any devices intended for implantation in the human body. Should Buyer purchase or use **onsemi** products for any such unintended or unauthorized application, Buyer shall indemnify and hold **onsemi** and its officers, employees, subsidiaries, affiliates, and distributors harmless against all claims, costs, damages, and expenses, and reasonable attorney fees arising out of, directly or indirectly, any claim of personal injury or death associated with such unintended or unauthorized use, even if such claim alleges that **onsemi** was negligent regarding the design or manufacture of the part. **onsemi** is an Equal Opportunity/Affirmative Action Employer. This literature is subject to all applicable copyright laws and is not for resale in any manner.

## PUBLICATION ORDERING INFORMATION

### LITERATURE FULFILLMENT:

Email Requests to: [orderlit@onsemi.com](mailto:orderlit@onsemi.com)

**onsemi Website:** [www.onsemi.com](http://www.onsemi.com)

### TECHNICAL SUPPORT

**North American Technical Support:**

Voice Mail: 1 800-282-9855 Toll Free USA/Canada

Phone: 011 421 33 790 2910

**Europe, Middle East and Africa Technical Support:**

Phone: 00421 33 790 2910

For additional information, please contact your local Sales Representative