

MATERIALS AND FINISHES

BODY ZINC ALLOY
PLATED TIN

CENTER CONTACT PHOSPHOR BRONZE/BRASS
PLATED GOLD

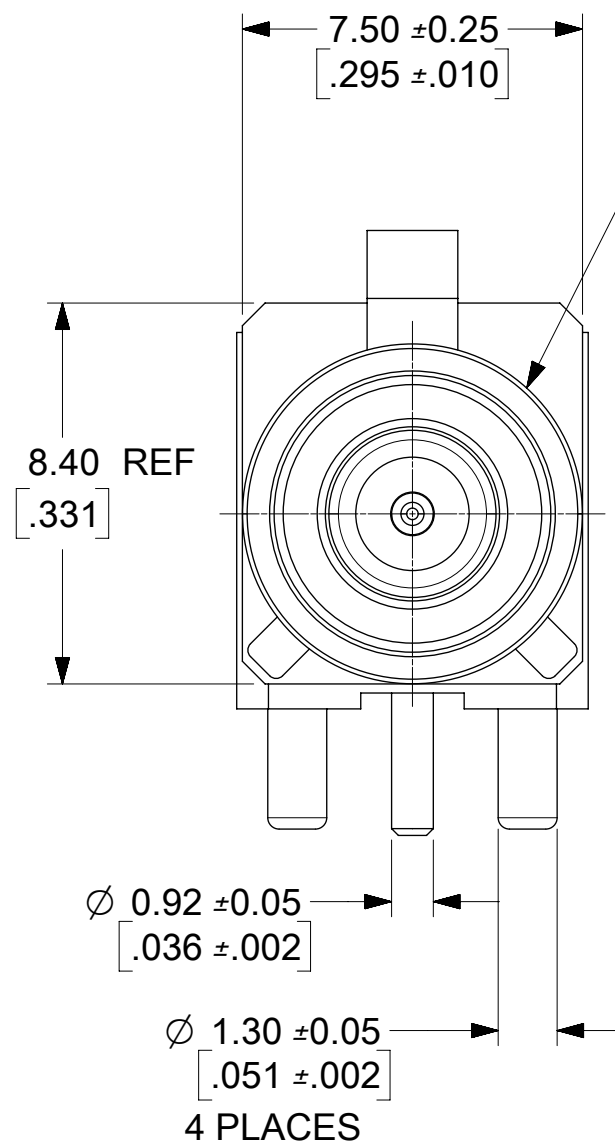
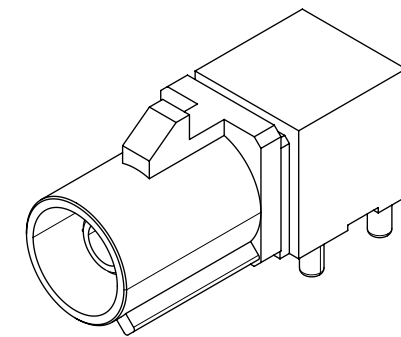
OUTER CASING HIGH TEMPERATURE PLASTIC
KEYING SEE TABLE
COLOR SEE TABLE

INSULATOR TEFLON

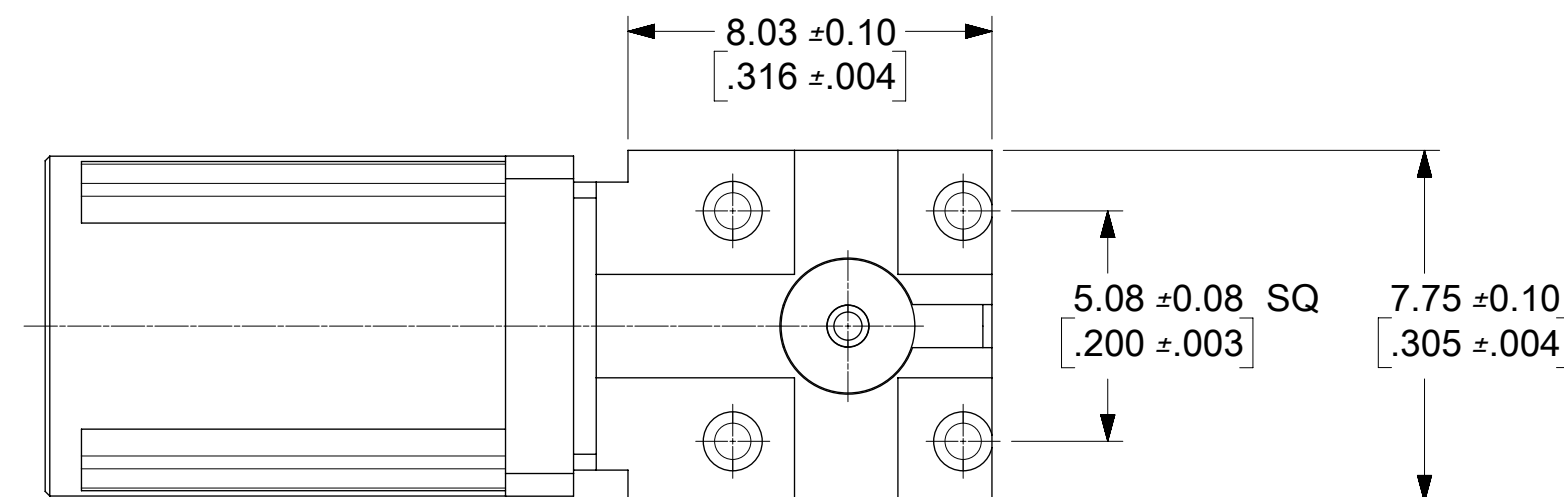
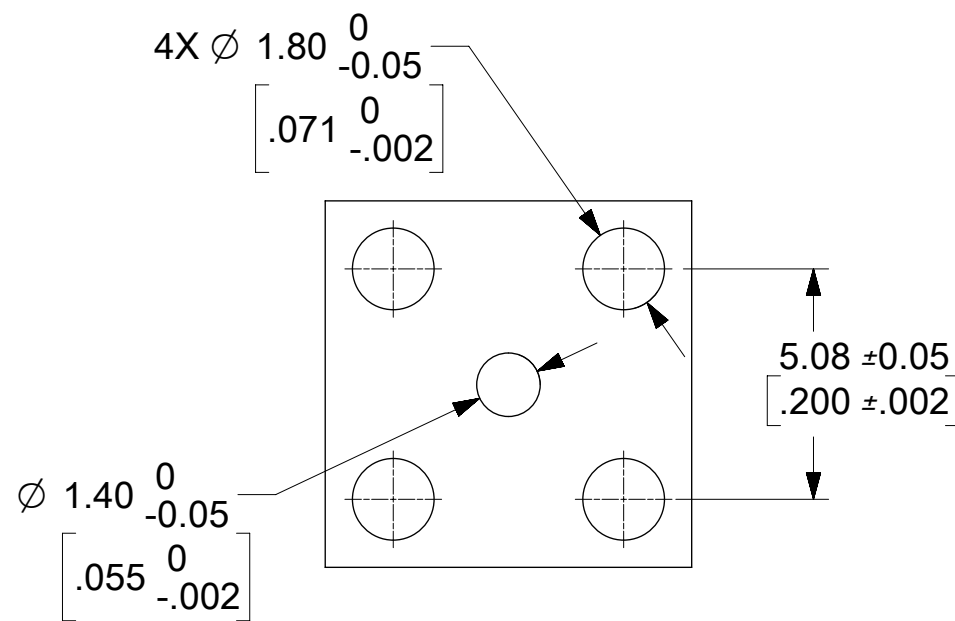
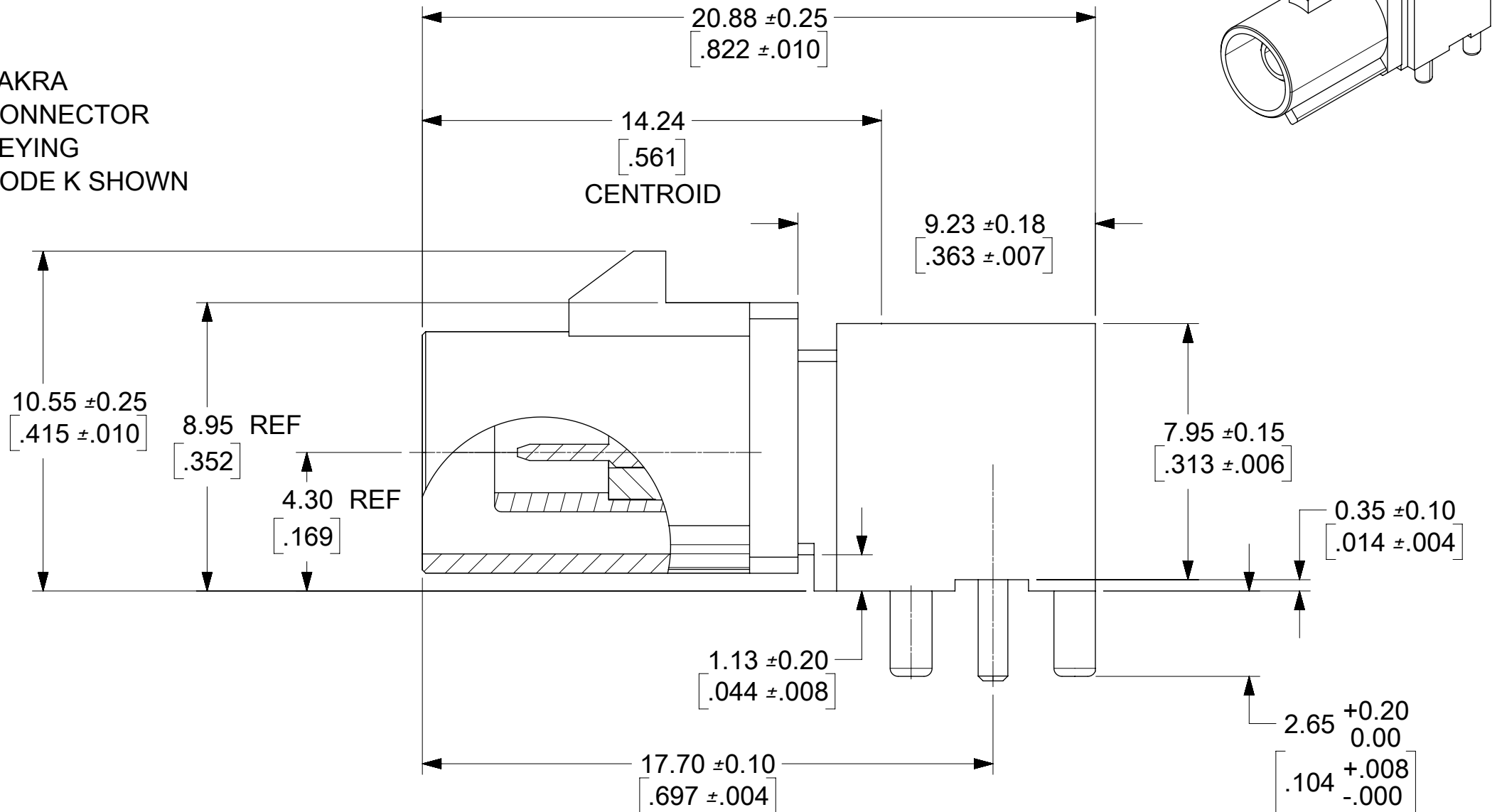
PACKAGING BY TRAY

RETENTION SPECIFICATION

THE FAKRA CONNECTOR SHROUD WILL WITHSTAND
A LONGITUDINAL FORCE OF 110 N (24.75 LBS)



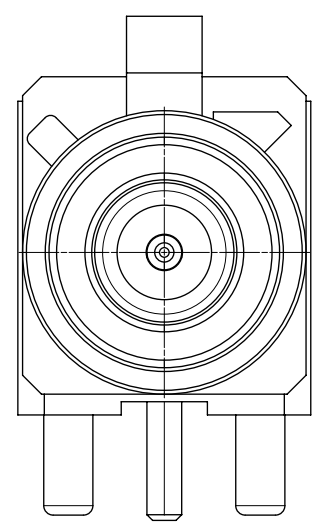
FAKRA CONNECTOR
KEYING
CODE K SHOWN



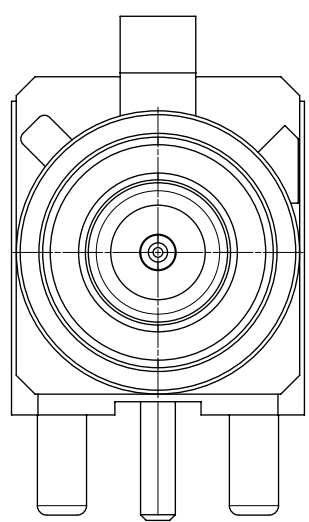
EST. WEIGHT (g): 4.495

PS-89675-3310	PRODUCT SPECIFICATION
MIL-STD-348A, FIG. 311.1	INTERFACE SPECIFICATION
SPECIFICATION	DESCRIPTION

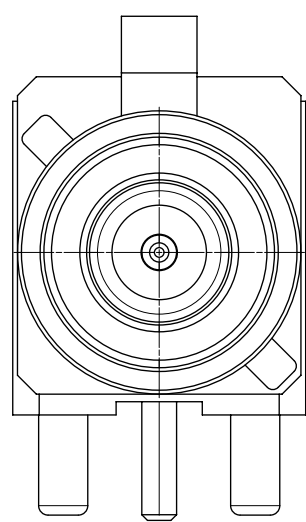
QUALITY SYMBOLS ▽ = 0 ▽ = 0 ▽ = 0 ▽ = 0 ▽ = 0 ▽ = 0 ▽ = 0 ▽ = 0 ▽ = 0	THIS DRAWING CONTAINS INFORMATION THAT IS PROPRIETARY TO MOLEX ELECTRONIC TECHNOLOGIES, LLC AND SHOULD NOT BE USED WITHOUT WRITTEN PERMISSION					
	EC NO: 122197 DRWN: SCHANNARAYAN CHKD: ELIN REV APPR: YCHENG	2017/09/08 2017/09/20 2017/09/21	GENERAL TOLERANCES (UNLESS SPECIFIED)	DIMENSION UNITS	SCALE	
			ANGULAR TOL ± 2.0 °	MM/IN	1:5	
			4 PLACES ±	ELIN	2014/07/17	
	3 PLACES ±	CHKD BY	DATE	SMB FAKRA JACK R/A PCB 50 OHMS FAKRA-J/PCB		
2 PLACES ±	JOANNE	2014/07/17				
1 PLACE ±	APPR BY	DATE	PRODUCT CUSTOMER DRAWING			
0 PLACES ±	YCHENG	2014/11/25	SERIES	MATERIAL NUMBER	CUSTOMER	
DRAFT WHERE APPLICABLE MUST REMAIN WITHIN DIMENSIONS	DRAWING SIZE	THIRD ANGLE PROJECTION	73403	SEE TABLE	GENERAL MARKET	
A3	C		DOCUMENT NUMBER	DOC TYPE	DOC PART	SHEET NUMBER
			SD-73403-680	PSD	001	1 OF 3



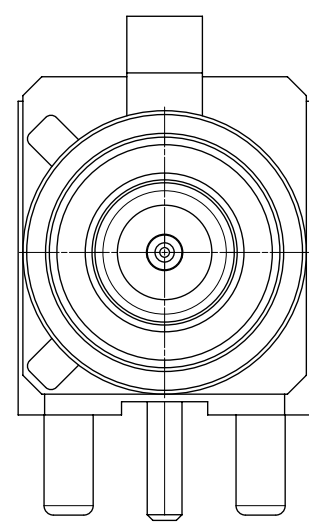
CODE-A



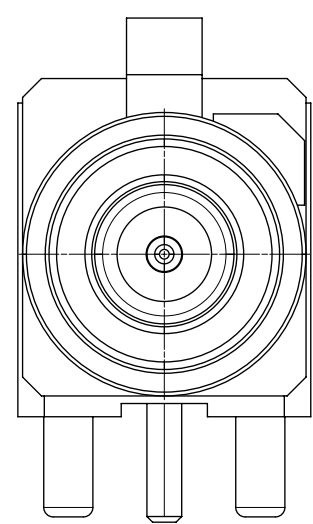
CODE-B



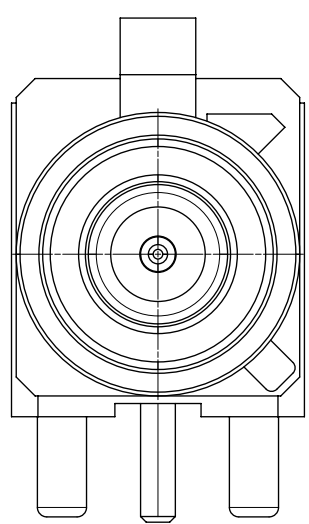
CODE-C



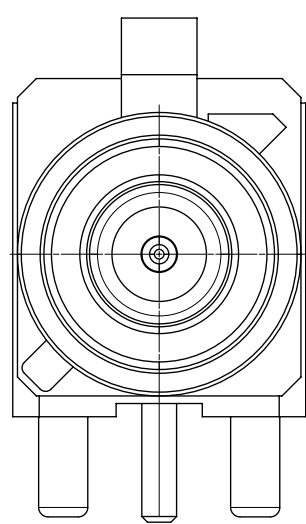
CODE-D



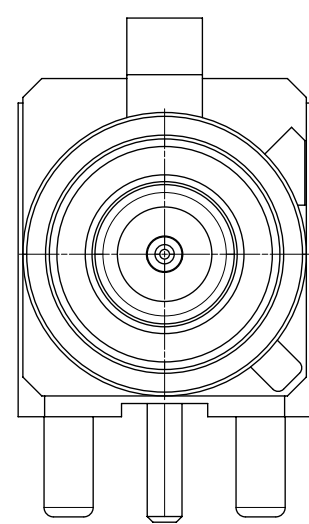
CODE-E



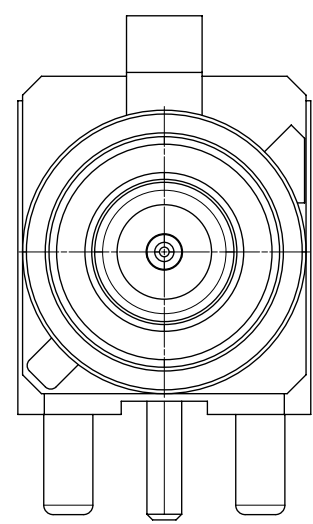
CODE-F



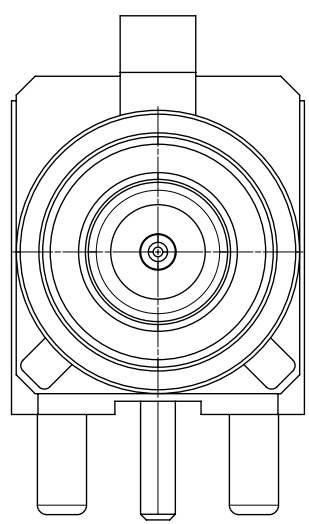
CODE-G



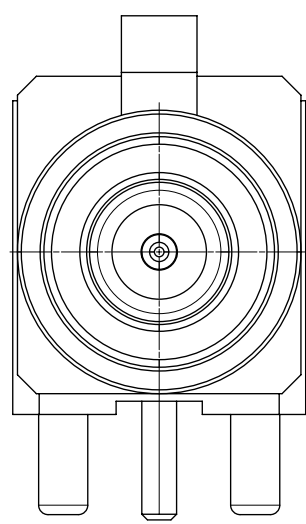
CODE-H



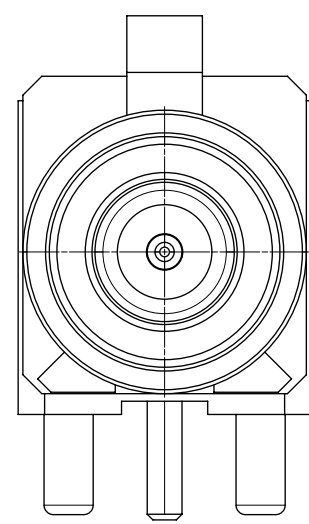
CODE-I



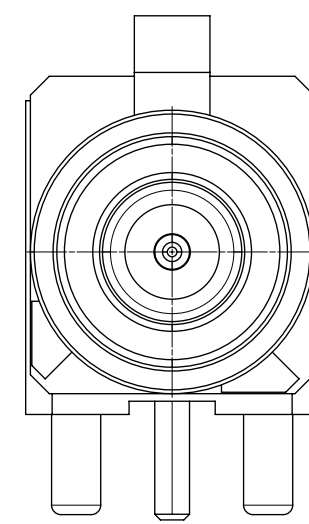
CODE-K



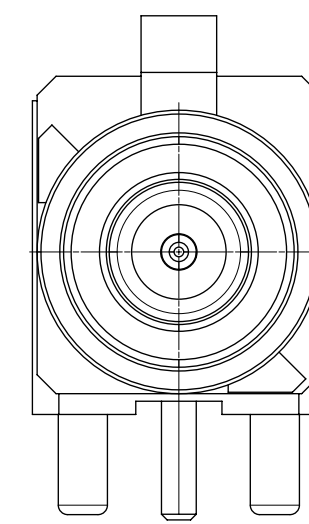
CODE-Z



CODE-L



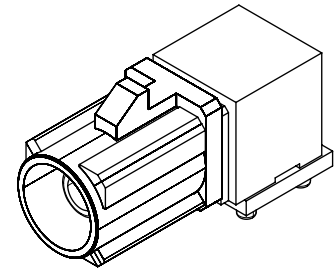
CODE-M



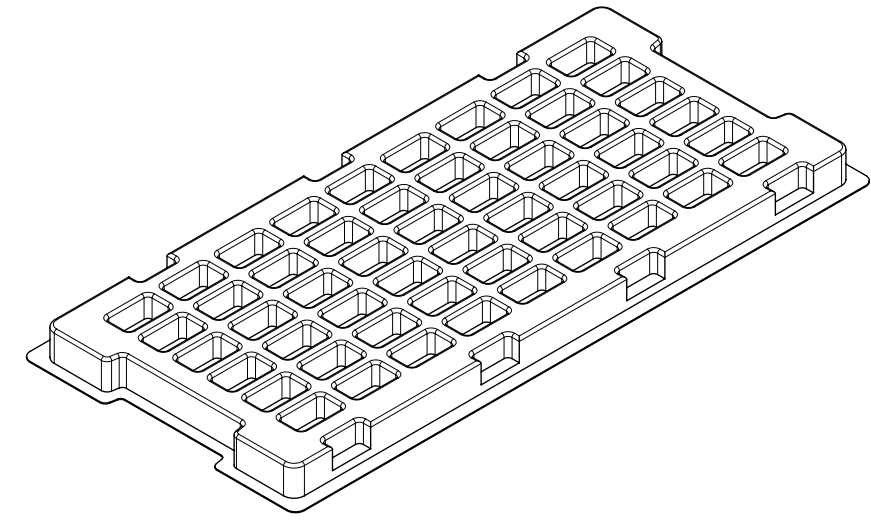
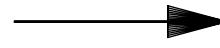
CODE-N

N	PASTEL GREEN	73403-6813
M	PASTEL ORANGE	73403-6812
L	CARMINE RED	73403-6811
Z	WATER BLUE	73403-6810
K	CURRY YELLOW	73403-6809
I	BEIGE	73403-6808
H	VIOLET	73403-6807
G	GRAY	73403-6806
F	BROWN	73403-6805
E	GREEN	73403-6804
D	BORDEAUXVIOLET	73403-6803
C	BLUE	73403-6802
B	NATURAL	73403-6801
A	BLACK	73403-6800
KEYING CODE	COLOR	PART NO.

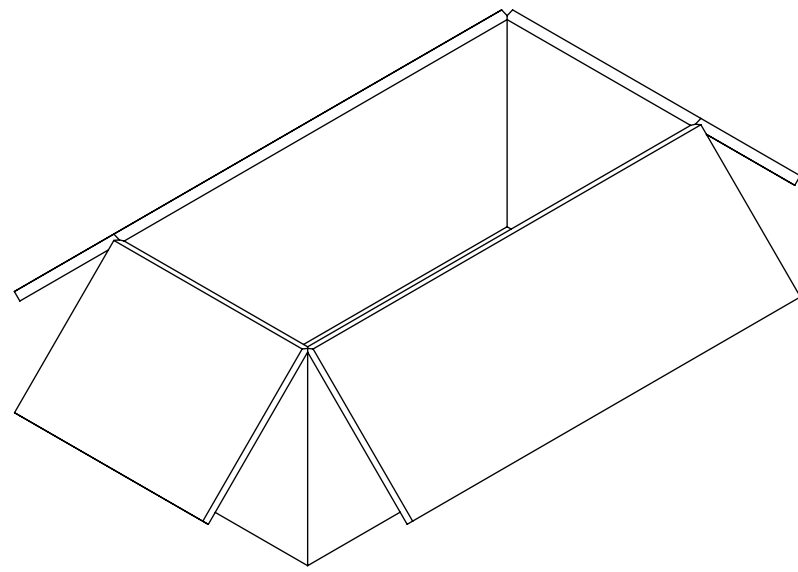
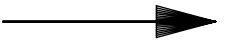
QUALITY SYMBOLS		THIS DRAWING CONTAINS INFORMATION THAT IS PROPRIETARY TO MOLEX ELECTRONIC TECHNOLOGIES, LLC AND SHOULD NOT BE USED WITHOUT WRITTEN PERMISSION		
▽ = 0	MIGRATED TO ECTRIX EC NO: 122197 DRWN: SCHANNARAYAN CHKD: ELIN REV / APPR: YCHENG	GENERAL TOLERANCES (UNLESS SPECIFIED)		
▽ = 0		DIMENSION UNITS	SCALE	
▽ = 0		MM/IN	1:2	
▽ = 0		ANGULAR TOL ± 2.0 °	DRWN BY	DATE
▽ = 0		4 PLACES ±	ELIN	2014/07/17
▽ = 0		3 PLACES ±	CHKD BY	DATE
▽ = 0		2 PLACES ±	JOANNE	2014/07/17
▽ = 0		1 PLACE ±	APPR BY	DATE
▽ = 0		0 PLACES ±	YCHENG	2014/11/25
▽ = 0		DRAFT WHERE APPLICABLE MUST REMAIN WITHIN DIMENSIONS	DRAWING SIZE	THIRD ANGLE PROJECTION
▽ = 0	A3	C		
RELEASE STATUS		P1		
RELEASE DATE		21.09.2017 12:34:43		
SERIES		73403		
MATERIAL NUMBER		SEE TABLE		
CUSTOMER		GENERAL MARKET		
DOCUMENT NUMBER		SD-73403-680		
DOC TYPE		PSD		
DOC PART		001		
SHEET NUMBER		2 OF 3		



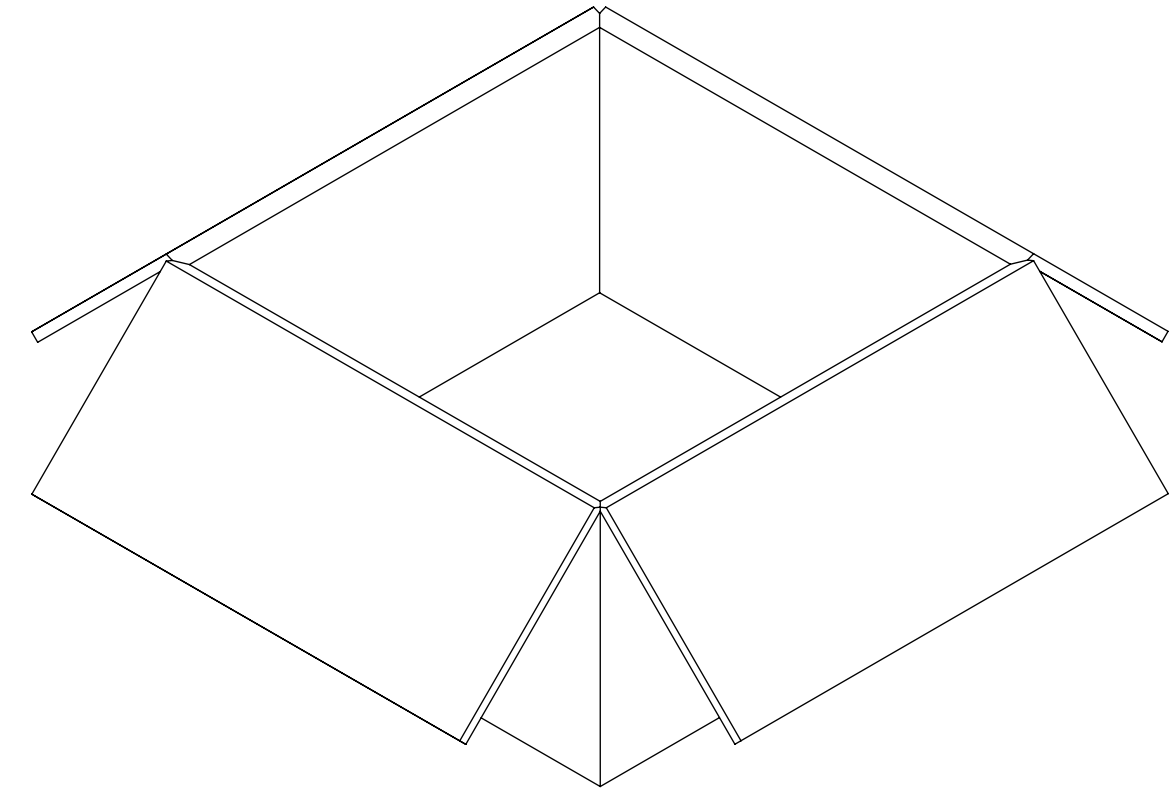
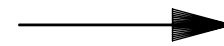
P/N 73403-680X



54 SET PER TRAY
TRAY P/N 89707-0220



540 SET PER INNER
CARTON BOX
P/N 96707-0001



1080 SET PER OUTER
CARTON BOX
P/N 96708-0005

QUALITY SYMBOLS ▽ = 0 ▽ = 0 ▽ = 0 ▼ = 0 ▽ = 0 ☒ = 0 ■ = 0 ▽ = 0	THIS DRAWING CONTAINS INFORMATION THAT IS PROPRIETARY TO MOLEX ELECTRONIC TECHNOLOGIES, LLC AND SHOULD NOT BE USED WITHOUT WRITTEN PERMISSION											
	MIGRATED TO ECTRIX		EC NO: 122197		DRWN: SCHANNARAYAN		CHKD: ELIN		REV / APPR: YCHENG		DATE	
	2017/09/08		2017/09/20		2017/09/20		2017/09/21		2017/09/21		2017/09/21	
	GENERAL TOLERANCES (UNLESS SPECIFIED)				DIMENSION UNITS		SCALE					
	ANGULAR TOL ± 2.0 °				MM/IN		1:2					
	4 PLACES ±				DRWN BY		DATE		SMB FAKRA JACK R/A PCB 50 OHMS FAKRA-J/PCB PRODUCT CUSTOMER DRAWING SERIES: 73403 MATERIAL NUMBER: SEE TABLE CUSTOMER: GENERAL MARKET DOCUMENT NUMBER: SD-73403-680 DOC TYPE: PSD DOC PART: 001 SHEET NUMBER: 3 OF 3			
	3 PLACES ±				ELIN		2014/07/17					
	2 PLACES ±				CHKD BY		DATE					
	1 PLACE ±				JOANNE		2014/07/17					
	0 PLACES ±				APPR BY		DATE					
DRAFT WHERE APPLICABLE MUST REMAIN WITHIN DIMENSIONS				YCHENG		2014/11/25						
				DRAWING SIZE		THIRD ANGLE PROJECTION						
				C								