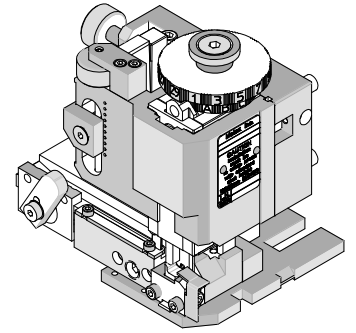




FineAdjust Applicator Specification Sheet Part No. 63867-7000



FEATURES

- Quick punch removal with the push of a button for fast and easy tooling change
- Applicator designed to industry standard mounting and shut height 135.80mm (5.346")
- Quick set-up time; plus the crimp height, track and feed adjustments can be set without removing the applicator from the press
- Fine adjustment allows users to achieve target with little effort by adjusting in increments of 0.15mm (.0006") for conductor crimp height and .063mm (.0025") for insulation height
- Independent adjustment rings allow users to quickly adjust the conductor or insulation crimp height without affecting each other
- Directly adapts to most automatic wire processing machines

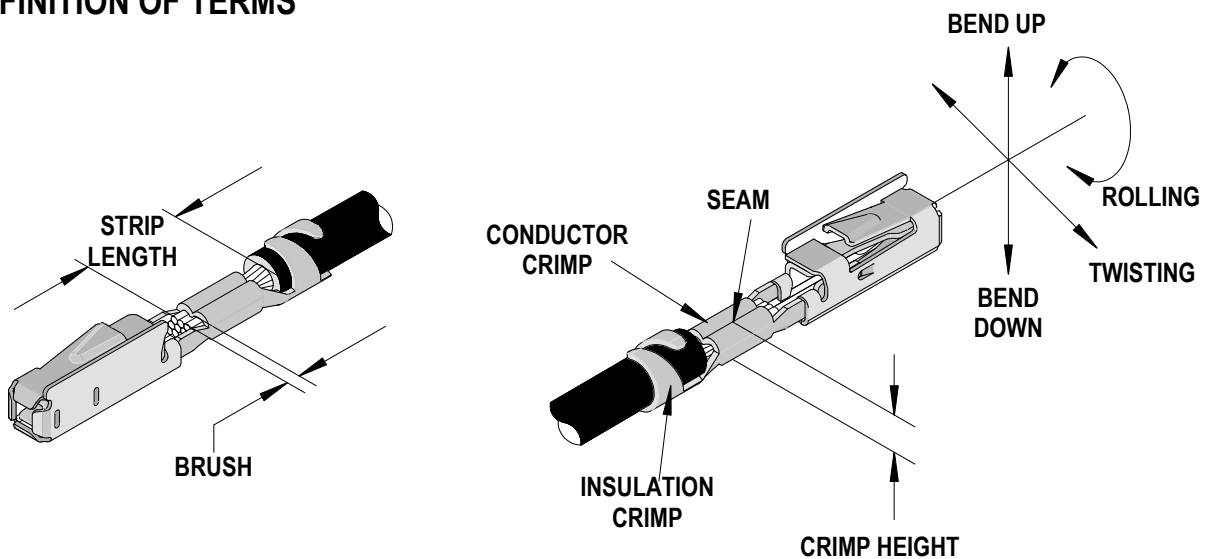
SCOPE

Products: 3.33mm (.131") Pitch MOX Power Crimp Terminal, 1.50mm (.059"), Female, 14-16 AWG

Terminal Part No.	Terminal Order No.	*Wire Type	Wire Size		Insulation Diameter		Strip Length	
			AWG	Actual mm ²	mm	In.	mm	In.
98195	98195-1213	TXL - 16	16	1.226	2.18-2.34	.086-.092	4.60-5.00	.181-.197
		TXL - 14	14	1.941	2.54-2.69	.100-.106	4.60-5.00	.181-.197

* Only tested on listed wire types, any other types must be tested

DEFINITION OF TERMS



The above terminal drawing is a generic terminal representation. It is not an image of a terminal listed in the scope.

CRIMP SPECIFICATION

Terminal Series No.	Bell mouth		Cut-off Tab Maximum		Conductor Brush	
	mm	In.	mm	In.	mm	In.
98195	0.25-1.00	.010-.039	0.30	.012	0.20-0.60	.008-.024

Terminal Series No.	Bend up	Bend down	Twist	Roll	Punch Width mm (Ref)				Seam Seam shall not be open and no wire allowed out of the crimping area
	Degree		Degree		Conductor		Insulation		
					mm	In	mm	In	
98195	2	2	4	4	2.45	.096	2.90	.114	

After crimping, the conductor profile should measure the following.

Terminal Series No.	Wire Type	Wire Size		Conductor Crimp			
		AWG	Actual mm ²	Height		Width	
				mm	In.	mm	In.
98195	TXL - 16	16	1.226	1.32-1.38	.052-.054	2.50	.098
	TXL - 14	14	1.941	1.40-1.45	.055-.057	2.50	.098

Terminal Series No.	Wire Type	Wire Size		Insulation Crimp				Pull Force Minimum	
		AWG	Actual mm ²	Height		Width		N	Lb.
				mm	In.	mm	In.		
98195	TXL - 16	16	1.226	2.55-2.65	.100-.104	3.00	.118	180	40.5
	TXL - 14	14	1.941	2.95-3.05	.116-.120	3.00	.118	220	49.5

Pull Force should be measured with no influence from the insulation crimp.

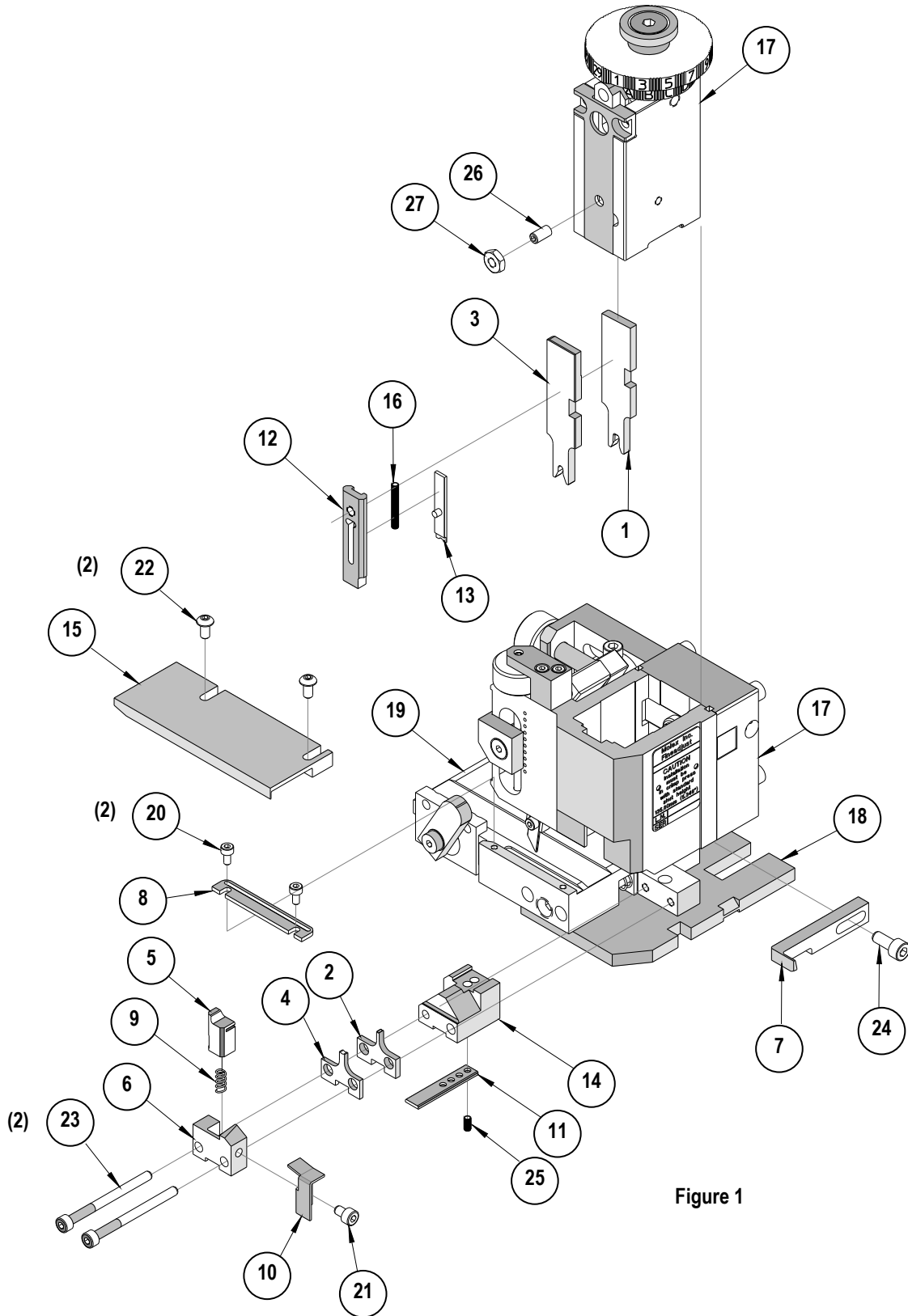
The above specifications are guidelines to an optimum crimp.

PARTS LIST

FineAdjust Applicator 63867-7000				
Item	Order No	Engineering No.	Description	Quantity
Perishable Tooling				
	63867-7070	63867-7070	Tool Kit (All "Y" Items)	REF
1	63457-0016	63457-0016	Conductor Punch	1 Y
2	63455-0016	63455-0016	Conductor Anvil	1 Y
3	63454-0027	63454-0027	Insulation Punch	1 Y
4	63445-2971	63445-2971	Insulation Anvil	1 Y
5	63443-0002	63443-0002	Cut-Off Plunger	1 Y
6	63443-0012	63443-0012	Front Plunger Retainer	1 Y
Other Components				
7	11-18-4080	60707-5	Wire Stop	1
8	11-18-4083	60707-8	Front Cover	1
9	11-24-1067	4996-4	Cut-Off Plunger Spring	1
10	63443-0009	63443-0009	Scrap Chute	1
11	63443-0021	63443-0021	Lower Tooling Key	1
12	63443-2801	63443-2801	Front Plunger Striker	1
13	63443-0067	63443-0067	Wire Hold-Down Plunger	1
14	63443-2509	63443-2509	Anvil Mount	1
15	63443-6015	63443-6015	Rear Cover	1
16	63600-1057	63600-1057	Compression Spring	1
Frame				
17	63800-4901	63800-4901	Top	1
18	63801-3281	63801-3281	Base	1
19	63801-4650	63801-4650	Track	1
Hardware				
20	N/A	N/A	M3 by 6Lg. SHCS	2**
21	N/A	N/A	M4 by 6Lg. SHCS	1**
22	N/A	N/A	M4 by 12Lg. BHCS	2**
23	N/A	N/A	M4 by 50Lg. SHCS	2**
24	N/A	N/A	M5 by 12Lg SHCS	1**
25	N/A	N/A	3MM by 6Lg. Roll Pin	1**
26	N/A	N/A	#10-32 by 3/8" Long Flat Point SSS	1**
27	N/A	N/A	#10-32 Hex Jam Nut	1**

** Available from an industrial supply company such as MSC (1-800-645-7270).

Assembly Drawing



NOTES

1. Molex recommends an extra perishable tooling kit be maintained at your facility.
2. Verify tooling alignment by manually cycling the press and Applicator before crimping under power. Check that all screws are tight.
3. Slugs, Terminals, Dirt and Oil should be kept clear of work area.
4. Wear safety glasses at all times.
5. For recommended maintenance refer to the FineAdjust Manual.

CAUTION: This applicator should only be used in a press with a shut height of 135.8 mm (5.346"). Tooling damage could result at a lower setting.

CAUTION: To prevent injury never operate this Applicator without the guards supplied with the press or wire-processing machine in place. Reference the press or wire processing manufacturer's instruction manual.

CAUTION: Molex crimp specifications are valid only when used with Molex terminals, applicators and tooling.

Americas Headquarters
Lisle, Illinois 60532 U.S.A.
1-800-78MOLEX
amerinfo@molex.com

Far East North Headquarters
Yamato, Kanagawa, Japan
81-462-65-2324
feninfo@molex.com

Far East South Headquarters
Jurong, Singapore
65-6-268-6868
fesinfo@molex.com

European Headquarters
Munich, Germany
49-89-413092-0
eurinfo@molex.com

Corporate Headquarters
2222 Wellington Ct.
Lisle, IL 60532 U.S.A.
630-969-4550
Fax: 630-969-1352

Visit our Web site at <http://www.molex.com>