



- 1
- 2
- 3
- 4
- 5
- 6
- 7
- 8
- 9
- 10
- 11
- 12
- 13
- 14
- 15
- 16
- 17
- 18

MATERIAL

AISI 316L stainless steel.

PACKING RING

- H: H-NBR synthetic rubber, hardness 85 +/-5 Shore A, in blue, FDA compliant, resistant from -25°C to +150°C.
- E: EPDM synthetic rubber, hardness 85 +/-5 Shore A, in blue, FDA compliant, resistant from -40°C to +120°C.

STANDARD EXECUTIONS

- **NT-HD-SST-MT-H**: threaded blind hole, sandblasted matte finish, H-NBR packing ring.
- **NT-HD-SST-MT-E**: threaded blind hole, sandblasted matte finish, EPDM packing ring.
- **NT-HD-SST-PL-H**: threaded blind hole, mirror polished finish (RA < 0.8µ), H-NBR packing ring.
- **NT-HD-SST-PL-E**: threaded blind hole, mirror polished finish (RA < 0.8µ), EPDM packing ring.
- **NT-HD-SST-p-MT-H**: threaded screw, sandblasted matte finish, H-NBR packing ring.
- **NT-HD-SST-p-MT-E**: threaded screw, sandblasted matte finish, EPDM packing ring.
- **NT-HD-SST-p-PL-H**: threaded screw, mirror polished finish (RA < 0.8µ), H-NBR packing ring.
- **NT-HD-SST-p-PL-E**: threaded screw, mirror polished finish (RA < 0.8µ), EPDM packing ring.

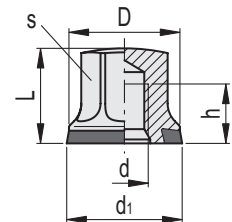
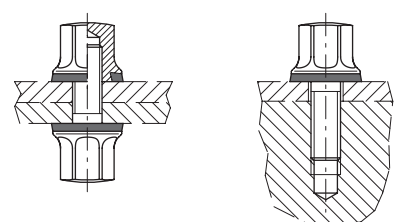
FEATURES AND APPLICATIONS

NT-HD-SST screws and nuts are accessories for mounting the levelling feet used in environments where high hygiene is required. The presence of the special packing ring seals the thread from the external environment, preventing the access of impurities. The finish quality, angular seal and absence of recesses, prevents dirt adherence and facilitates cleaning. See technical data Hygienic Design (see page -).



NT-HD-SST-MT-H
NT-HD-SST-MT-E
NT-HD-SST-PL-H
NT-HD-SST-PL-E

Conversion Table	
1 mm = 0.039 inch	
D	
mm	inch
11	0.43
12	0.47
14	0.55
18	0.71
21	0.83



INOX STAINLESS STEEL **METRIC**

Code	Description	D	d	d1	L	h	s	⚖
321061	NT-HD-SST-M4-MT-H	11	M4	11.8	9.5	6	7	3
321101	NT-HD-SST-M5-MT-H	12	M5	12.8	10	6	8	10
321111	NT-HD-SST-M6-MT-H	14	M6	14.8	12	7.5	10	14
321121	NT-HD-SST-M8-MT-H	18	M8	18.8	14.5	9.5	13	17
321131	NT-HD-SST-M10-MT-H	21	M10	21.8	18	12	16	18

INOX STAINLESS STEEL **METRIC**

Code	Description	D	d	d1	L	h	s	⚖
321066	NT-HD-SST-M4-PL-H	11	M4	11.8	9.5	6	7	3
321106	NT-HD-SST-M5-PL-H	12	M5	12.8	10	6	8	10
321116	NT-HD-SST-M6-PL-H	14	M6	14.8	12	7.5	10	14
321126	NT-HD-SST-M8-PL-H	18	M8	18.8	14.5	9.5	13	17
321136	NT-HD-SST-M10-PL-H	21	M10	21.8	18	12	16	18

INOX STAINLESS STEEL **METRIC**

Code	Description	D	d	d1	L	h	s	⚖
321062	NT-HD-SST-M4-MT-E	11	M4	11.8	9.5	6	7	3
321102	NT-HD-SST-M5-MT-E	12	M5	12.8	10	6	8	4
321112	NT-HD-SST-M6-MT-E	14	M6	14.8	12	7.5	10	6
321122	NT-HD-SST-M8-MT-E	18	M8	18.8	14.5	9.5	13	13
321132	NT-HD-SST-M10-MT-E	21	M10	21.8	18	12	16	15

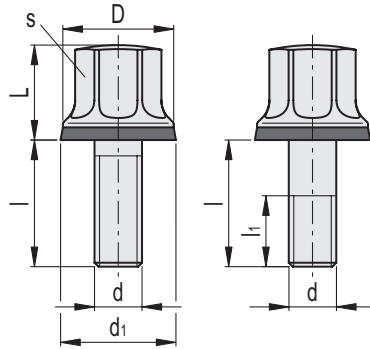
INOX STAINLESS STEEL **METRIC**

Code	Description	D	d	d1	L	h	s	⚖
321067	NT-HD-SST-M4-PL-E	11	M4	11.8	9.5	6	7	3
321107	NT-HD-SST-M5-PL-E	12	M5	12.8	10	6	8	4
321117	NT-HD-SST-M6-PL-E	14	M6	14.8	12	7.5	10	6
321127	NT-HD-SST-M8-PL-E	18	M8	18.8	14.5	9.5	13	13
321137	NT-HD-SST-M10-PL-E	21	M10	21.8	18	12	16	15

Levelling feet and supports



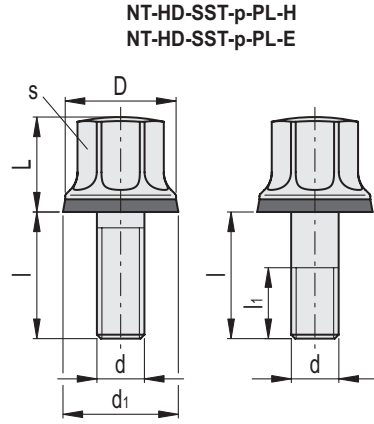
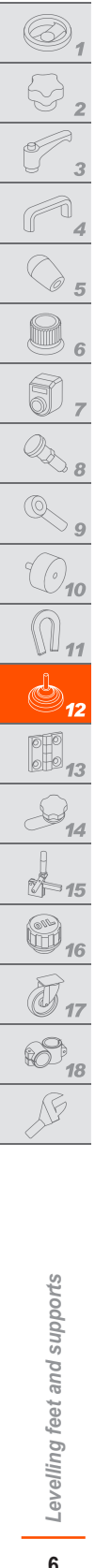
NT-HD-SST-p-MT-H
NT-HD-SST-p-MT-E



Conversion Table 1 mm = 0.039 inch	
D	
mm	inch
11	0.43
12	0.47
14	0.55
18	0.71
21	0.83
25	0.97
32	1.17

NT-HD-SST-p-MT-H		INOX	STAINLESS STEEL	METRIC																
Code	Description	D	d	d1	L	l	l1	s	Δ	⚡										
321071	NT-HD-SST-p-M4x8-MT-H	11	M4	11.8	9.5	8	-	7	3											
321081	NT-HD-SST-p-M4x12-MT-H	11	M4	11.8	9.5	12	-	7	4											
321091	NT-HD-SST-p-M4x16-MT-H	11	M4	11.8	9.5	16	14	7	5											
321141	NT-HD-SST-p-M5x10-MT-H	12	M5	12.8	10	10	-	8	6											
321151	NT-HD-SST-p-M5x16-MT-H	12	M5	12.8	10	16	-	8	7											
321161	NT-HD-SST-p-M5x20-MT-H	12	M5	12.8	10	20	16	8	9											
321171	NT-HD-SST-p-M6x12-MT-H	14	M6	14.8	12	12	-	10	10											
321181	NT-HD-SST-p-M6x16-MT-H	14	M6	14.8	12	16	-	10	11											
321191	NT-HD-SST-p-M6x20-MT-H	14	M6	14.8	12	20	-	10	12											
321201	NT-HD-SST-p-M6x25-MT-H	14	M6	14.8	12	25	-	10	13											
321211	NT-HD-SST-p-M6x30-MT-H	14	M6	14.8	12	30	18	10	14											
321221	NT-HD-SST-p-M8x16-MT-H	18	M8	18.8	14.5	16	-	13	22											
321231	NT-HD-SST-p-M8x20-MT-H	18	M8	18.8	14.5	20	-	13	23											
321241	NT-HD-SST-p-M8x25-MT-H	18	M8	18.8	14.5	25	-	13	24											
321251	NT-HD-SST-p-M8x30-MT-H	18	M8	18.8	14.5	30	-	13	25											
321261	NT-HD-SST-p-M8x40-MT-H	18	M8	18.8	14.5	40	22	13	29											
321271	NT-HD-SST-p-M10x20-MT-H	21	M10	21.8	18	20	-	16	40											
321281	NT-HD-SST-p-M10x25-MT-H	21	M10	21.8	18	25	-	16	43											
321291	NT-HD-SST-p-M10x30-MT-H	21	M10	21.8	18	30	-	16	54											
321301	NT-HD-SST-p-M10x40-MT-H	21	M10	21.8	18	40	26	16	50											
321311	NT-HD-SST-p-M10x50-MT-H	21	M10	21.8	18	50	26	16	55											
321321	NT-HD-SST-p-M12x25-MT-H	25	M12	25.8	21	25	-	18	30											
321331	NT-HD-SST-p-M12x30-MT-H	25	M12	25.8	21	30	-	18	41											
321341	NT-HD-SST-p-M12x40-MT-H	25	M12	25.8	21	40	30	18	94											
321351	NT-HD-SST-p-M12x50-MT-H	25	M12	25.8	21	50	30	18	110											
321361	NT-HD-SST-p-M12x60-MT-H	25	M12	25.8	21	60	30	18	115											
321371	NT-HD-SST-p-M16x30-MT-H	32	M16	32.8	26	30	-	24	157											
321381	NT-HD-SST-p-M16x40-MT-H	32	M16	32.8	26	40	-	24	173											
321391	NT-HD-SST-p-M16x50-MT-H	32	M16	32.8	26	50	38	24	189											
321401	NT-HD-SST-p-M16x60-MT-H	32	M16	32.8	26	60	38	24	195											
321411	NT-HD-SST-p-M16x70-MT-H	32	M16	32.8	26	70	38	24	203											

NT-HD-SST-p-MT-E		INOX	STAINLESS STEEL	METRIC																
Code	Description	D	d	d1	L	l	l1	s	Δ	⚡										
321072	NT-HD-SST-p-M4x8-MT-E	11	M4	11.8	9.5	8	-	7	3											
321082	NT-HD-SST-p-M4x12-MT-E	11	M4	11.8	9.5	12	-	7	4											
321092	NT-HD-SST-p-M4x16-MT-E	11	M4	11.8	9.5	16	14	7	5											
321142	NT-HD-SST-p-M5x10-MT-E	12	M5	12.8	10	10	-	8	6											
321152	NT-HD-SST-p-M5x16-MT-E	12	M5	12.8	10	16	-	8	7											
321162	NT-HD-SST-p-M5x20-MT-E	12	M5	12.8	10	20	16	8	8											
321172	NT-HD-SST-p-M6x12-MT-E	14	M6	14.8	12	12	-	10	11											
321182	NT-HD-SST-p-M6x16-MT-E	14	M6	14.8	12	16	-	10	12											
321192	NT-HD-SST-p-M6x20-MT-E	14	M6	14.8	12	20	-	10	13											
321202	NT-HD-SST-p-M6x25-MT-E	14	M6	14.8	12	25	-	10	14											
321212	NT-HD-SST-p-M6x30-MT-E	14	M6	14.8	12	30	18	10	15											
321222	NT-HD-SST-p-M8x16-MT-E	18	M8	18.8	14.5	16	-	13	22											
321232	NT-HD-SST-p-M8x20-MT-E	18	M8	18.8	14.5	20	-	13	23											
321242	NT-HD-SST-p-M8x25-MT-E	18	M8	18.8	14.5	25	-	13	25											
321252	NT-HD-SST-p-M8x30-MT-E	18	M8	18.8	14.5	30	-	13	26											
321262	NT-HD-SST-p-M8x40-MT-E	18	M8	18.8	14.5	40	22	13	30											
321272	NT-HD-SST-p-M10x20-MT-E	21	M10	21.8	18	20	-	16	40											
321282	NT-HD-SST-p-M10x25-MT-E	21	M10	21.8	18	25	-	16	43											
321292	NT-HD-SST-p-M10x30-MT-E	21	M10	21.8	18	30	-	16	50											
321302	NT-HD-SST-p-M10x40-MT-E	21	M10	21.8	18	40	26	16	52											
321312	NT-HD-SST-p-M10x50-MT-E	21	M10	21.8	18	50	26	16	55											
321322	NT-HD-SST-p-M12x25-MT-E	25	M12	25.8	21	25	-	18	30											
321332	NT-HD-SST-p-M12x30-MT-E	25	M12	25.8	21	30	-	18	41											
321342	NT-HD-SST-p-M12x40-MT-E	25	M12	25.8	21	40	30	18	94											
321352	NT-HD-SST-p-M12x50-MT-E	25	M12	25.8	21	50	30	18	110											
321362	NT-HD-SST-p-M12x60-MT-E	25	M12	25.8	21	60	30	18	115											
321372	NT-HD-SST-p-M16x30-MT-E	32	M16	32.8	26	30	-	24	157											
321382	NT-HD-SST-p-M16x40-MT-E	32	M16	32.8	26	40	-	24	173											
321392	NT-HD-SST-p-M16x50-MT-E	32	M16	32.8	26	50	38	24	189											
321402	NT-HD-SST-p-M16x60-MT-E	32	M16	32.8	26	60	38	24	195											
321412	NT-HD-SST-p-M16x70-MT-E	32	M16	32.8	26	70	38	24	203											



Conversion Table	
1 mm = 0.039 inch	
D	
mm	inch
11	0.43
12	0.47
14	0.55
18	0.71
21	0.83
25	0.97
32	1.17

NT-HD-SST-p-PL-H

INOX STAINLESS STEEL METRIC

Code	Description	D	d	d1	L	l	l1	s	△
321076	NT-HD-SST-p-M4x8-PL-H	11	M4	11.8	9.5	8	-	7	3
321086	NT-HD-SST-p-M4x12-PL-H	11	M4	11.8	9.5	12	-	7	4
321096	NT-HD-SST-p-M4x16-PL-H	11	M4	11.8	9.5	16	14	7	5
321146	NT-HD-SST-p-M5x10-PL-H	12	M5	12.8	10	10	-	8	6
321156	NT-HD-SST-p-M5x16-PL-H	12	M5	12.8	10	16	-	8	7
321166	NT-HD-SST-p-M5x20-PL-H	12	M5	12.8	10	20	16	8	9
321176	NT-HD-SST-p-M6x12-PL-H	14	M6	14.8	12	12	-	10	10
321186	NT-HD-SST-p-M6x16-PL-H	14	M6	14.8	12	16	-	10	11
321196	NT-HD-SST-p-M6x20-PL-H	14	M6	14.8	12	20	-	10	12
321206	NT-HD-SST-p-M6x25-PL-H	14	M6	14.8	12	25	-	10	13
321216	NT-HD-SST-p-M6x30-PL-H	14	M6	14.8	12	30	18	10	14
321226	NT-HD-SST-p-M8x16-PL-H	18	M8	18.8	14.5	16	-	13	22
321236	NT-HD-SST-p-M8x20-PL-H	18	M8	18.8	14.5	20	-	13	23
321246	NT-HD-SST-p-M8x25-PL-H	18	M8	18.8	14.5	25	-	13	24
321256	NT-HD-SST-p-M8x30-PL-H	18	M8	18.8	14.5	30	-	13	25
321266	NT-HD-SST-p-M8x40-PL-H	18	M8	18.8	14.5	40	22	13	29
321276	NT-HD-SST-p-M10x20-PL-H	21	M10	21.8	18	20	-	16	40
321286	NT-HD-SST-p-M10x25-PL-H	21	M10	21.8	18	25	-	16	43
321296	NT-HD-SST-p-M10x30-PL-H	21	M10	21.8	18	30	-	16	54
321306	NT-HD-SST-p-M10x40-PL-H	21	M10	21.8	18	40	26	16	50
321316	NT-HD-SST-p-M10x50-PL-H	21	M10	21.8	18	50	26	16	55
321326	NT-HD-SST-p-M12x25-PL-H	25	M12	25.8	21	25	-	18	30
321336	NT-HD-SST-p-M12x30-PL-H	25	M12	25.8	21	30	-	18	41
321346	NT-HD-SST-p-M12x40-PL-H	25	M12	25.8	21	40	30	18	94
321356	NT-HD-SST-p-M12x50-PL-H	25	M12	25.8	21	50	30	18	110
321366	NT-HD-SST-p-M12x60-PL-H	25	M12	25.8	21	60	30	18	115
321376	NT-HD-SST-p-M16x30-PL-H	32	M16	32.8	26	30	-	24	157
321386	NT-HD-SST-p-M16x40-PL-H	32	M16	32.8	26	40	-	24	173
321396	NT-HD-SST-p-M16x50-PL-H	32	M16	32.8	26	50	38	24	189
321406	NT-HD-SST-p-M16x60-PL-H	32	M16	32.8	26	60	38	24	195
321416	NT-HD-SST-p-M16x70-PL-H	32	M16	32.8	26	70	38	24	203

NT-HD-SST-p-PL-E

INOX STAINLESS STEEL METRIC

Code	Description	D	d	d1	L	l	l1	s	△
321077	NT-HD-SST-p-M4x8-PL-E	11	M4	11.8	9.5	8	-	7	3
321087	NT-HD-SST-p-M4x12-PL-E	11	M4	11.8	9.5	12	-	7	4
321097	NT-HD-SST-p-M4x16-PL-E	11	M4	11.8	9.5	16	14	7	5
321147	NT-HD-SST-p-M5x10-PL-E	12	M5	12.8	10	10	-	8	6
321157	NT-HD-SST-p-M5x16-PL-E	12	M5	12.8	10	16	-	8	7
321167	NT-HD-SST-p-M5x20-PL-E	12	M5	12.8	10	20	16	8	8
321177	NT-HD-SST-p-M6x12-PL-E	14	M6	14.8	12	12	-	10	11
321187	NT-HD-SST-p-M6x16-PL-E	14	M6	14.8	12	16	-	10	12
321197	NT-HD-SST-p-M6x20-PL-E	14	M6	14.8	12	20	-	10	13
321207	NT-HD-SST-p-M6x25-PL-E	14	M6	14.8	12	25	-	10	14
321217	NT-HD-SST-p-M6x30-PL-E	14	M6	14.8	12	30	18	10	15
321227	NT-HD-SST-p-M8x16-PL-E	18	M8	18.8	14.5	16	-	13	22
321237	NT-HD-SST-p-M8x20-PL-E	18	M8	18.8	14.5	20	-	13	23
321247	NT-HD-SST-p-M8x25-PL-E	18	M8	18.8	14.5	25	-	13	25
321257	NT-HD-SST-p-M8x30-PL-E	18	M8	18.8	14.5	30	-	13	26
321267	NT-HD-SST-p-M8x40-PL-E	18	M8	18.8	14.5	40	22	13	30
321277	NT-HD-SST-p-M10x20-PL-E	21	M10	21.8	18	20	-	16	40
321287	NT-HD-SST-p-M10x25-PL-E	21	M10	21.8	18	25	-	16	43
321297	NT-HD-SST-p-M10x30-PL-E	21	M10	21.8	18	30	-	16	50
321307	NT-HD-SST-p-M10x40-PL-E	21	M10	21.8	18	40	26	16	52
321317	NT-HD-SST-p-M10x50-PL-E	21	M10	21.8	18	50	26	16	55
321327	NT-HD-SST-p-M12x25-PL-E	25	M12	25.8	21	25	-	18	30
321337	NT-HD-SST-p-M12x30-PL-E	25	M12	25.8	21	30	-	18	41
321347	NT-HD-SST-p-M12x40-PL-E	25	M12	25.8	21	40	30	18	94
321357	NT-HD-SST-p-M12x50-PL-E	25	M12	25.8	21	50	30	18	110
321367	NT-HD-SST-p-M12x60-PL-E	25	M12	25.8	21	60	30	18	115
321377	NT-HD-SST-p-M16x30-PL-E	32	M16	32.8	26	30	-	24	157
321387	NT-HD-SST-p-M16x40-PL-E	32	M16	32.8	26	40	-	24	173
321397	NT-HD-SST-p-M16x50-PL-E	32	M16	32.8	26	50	38	24	189
321407	NT-HD-SST-p-M16x60-PL-E	32	M16	32.8	26	60	38	24	195
321417	NT-HD-SST-p-M16x70-PL-E	32	M16	32.8	26	70	38	24	203

Leveling feet and supports