

# Cube Timers – Delay on Operate

## RLY230 Series



Binary Switch, Programmable, AC, Delay on Operate, Solid State, Universal Cube Timer.

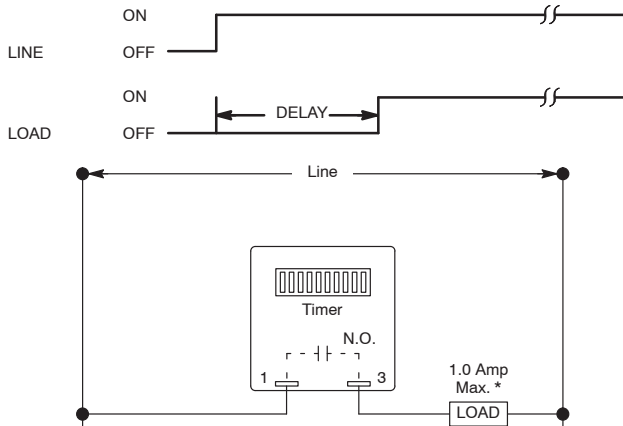
### Features

- 2 x 2 Industry Standard Package
- 95–145 Volts AC Operation
- 1 to 1023 Seconds Timing Range
- ±0.1% Repeat Accuracy
- Transient Protected
- .250" Quick Connect Terminals
- Encapsulated Construction



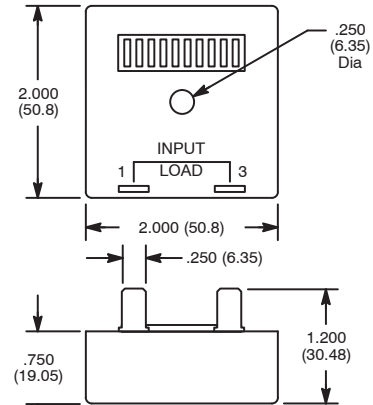
### OPERATION

**DELAY ON OPERATE**– The delay period begins when input voltage is applied. At the end of the delay period, the relay will operate and will not release until input voltage is removed. Reset occurs when input voltage is reapplied.



\* For higher current applications connect a switching relay in series with timer in place of load.

### D68



**Delay Setting**  
Combine "ON" switches to set time delay



Ex. 329 Seconds.

## Ratings and Specifications

**Operating Voltage Range (Line):** 95–145 V AC (50/60Hz)

**Switch Configuration:** Solid State, SPST

**Switching Current (Load):** 20mA Amp min., 1 Amp max.

**Timing Adjustment Range:** 1 to 1023 seconds

**Repeat Accuracy:** ±0.1%

**Reset Time:** 50ms Max.

**Expected Life (Electrical):** 100,000,000 operations @ rated load

**Operating Temperature:** –20° to +80°C

**Storage Temperature:** –30° to +85°C

**Dielectric Breakdown Voltage Between All Elements:** 1500V<sub>rms</sub>

**Transient Protection:** 1500 V for 150µs

**Mounting:** One #8 or #10 Screw