

## Type 2 surge protection device - VAL-MS 320/3+0 - 2920230

Please be informed that the data shown in this PDF Document is generated from our Online Catalog. Please find the complete data in the user's documentation. Our General Terms of Use for Downloads are valid (<http://phoenixcontact.com/download>)



Surge arrester for 4-conductor power supply systems (L1, L2, L3, PEN), consisting of a base element and protective connectors, for mounting on NS 35.

The illustration shows the version VAL-MS 320/3+0/FM

### Product Features

- With or without floating remote indication contact
- Type 2 consistent plug-in surge arresters
- Optical, mechanical status indication for the individual arresters
- Mechanical coding of all slots
- Disconnect device on each individual plug
- Multi-channel type 2 arresters



### Key commercial data

|                                      |           |
|--------------------------------------|-----------|
| Packing unit                         | 1 pc      |
| Weight per Piece (excluding packing) | 351.3 GRM |
| Custom tariff number                 | 85363010  |
| Country of origin                    | Germany   |

### Technical data

#### Dimensions

|                  |         |
|------------------|---------|
| Height           | 90 mm   |
| Width            | 53.4 mm |
| Depth            | 58 mm   |
| Horizontal pitch | 3 Div.  |

#### Ambient conditions

|                                 |   |
|---------------------------------|---|
| Degree of protection            | IP20 (only when all terminal points are used) |
| Ambient temperature (operation) | -40 °C ... 80 °C                              |

## Type 2 surge protection device - VAL-MS 320/3+0 - 2920230

### Technical data

#### Ambient conditions

|   |  |
|---|--|
| Ambient temperature (storage/transport) | -40 °C ... 80 °C                       |
| Altitude                                | ≤ 2000 m (amsl (above mean sea level)) |
| Permissible humidity (operation)        | 5 % ... 95 %                           |
| Shock (operation)                       | 25g                                    |
| Vibration (operation)                   | 5g                                     |

#### General

|   |   |
|---|---|
| Standards/specifications                | IEC 61643-11 2011                       |
|   | EN 61643-11 2012                        |
| IEC test classification                 | II                                      |
|   | T2                                      |
| EN type                                 | T2                                      |
| Number of ports                         | One                                     |
| SPD design                              | Voltage-limiting type                   |
| Mode of protection                      | L-PEN                                   |
| Mounting type                           | DIN rail: 35 mm                         |
| Color                                   | black                                   |
| Housing material                        | PA 6.6                                  |
|   | PBT                                     |
| Pollution degree                        | 2                                       |
| Inflammability class according to UL 94 | V-0                                     |
| Type                                    | DIN rail module, two-section, divisible |
| Number of positions                     | 3                                       |
| Surge protection fault message          | Optical                                 |

#### Protective circuit

|  |                      |
|--|----------------------|
| Nominal voltage $U_N$                                      | 240/415 V AC (TN-C)  |
| Nominal frequency $f_N$                                    | 50 Hz (60 Hz)        |
| Maximum continuous operating voltage $U_C$ (L-PEN)         | 335 V AC             |
| Rated load current $I_L$                                   | 80 A                 |
| Residual current $I_{PE}$                                  | ≤ 1.35 mA            |
| Standby power consumption $P_C$                            | ≤ 450 mVA            |
| Nominal discharge current $I_n$ (8/20) $\mu$ s (L-PEN)     | 20 kA                |
| Maximum discharge current $I_{max}$ (8/20) $\mu$ s (L-PEN) | 40 kA                |
| Short-circuit current rating $I_{SCCR}$                    | 25 kA                |
| Voltage protection level $U_p$ (L-PEN)                     | ≤ 1.5 kV             |
| Residual voltage $U_{res}$ (L-PEN)                         | ≤ 1.5 kV (at $I_n$ ) |
|  | ≤ 1.3 kV (at 10 kA)  |

## Type 2 surge protection device - VAL-MS 320/3+0 - 2920230

### Technical data

#### Protective circuit

|   |  |
|---|--|
|   | $\leq 1.2$ kV (at 5 kA)                |
|   | $\leq 1.1$ kV (at 3 kA)                |
| TOV behavior at $U_T$ (L-PEN)               | 415 V AC (5 s / withstand mode)        |
|   | 440 V AC (120 min / safe failure mode) |
| Response time $t_A$ (L-PEN)                 | $\leq 25$ ns                           |
| Max. backup fuse with branch wiring         | 125 A AC (gG)                          |
| Max. backup fuse with V-type through wiring | 80 A AC (gG)                           |

#### Connection data

|                                       |                              |
|---------------------------------------|------------------------------|
| Connection method                     | Screw connection             |
| Conductor cross section stranded min. | 1.5 mm <sup>2</sup>          |
| Conductor cross section stranded max. | 25 mm <sup>2</sup>           |
| Conductor cross section solid min.    | 1.5 mm <sup>2</sup>          |
| Conductor cross section solid max.    | 35 mm <sup>2</sup>           |
| AWG conductor cross section           | 15 ... 2                     |
|                                       | 10 ... 2 (UL)                |
| Screw thread                          | M5                           |
| Tightening torque                     | 4.5 Nm                       |
|                                       | 30 lb <sub>F</sub> -in. (UL) |
| Stripping length                      | 16 mm                        |

#### UL specifications

|   |                                    |
|---|------------------------------------|
| UL class  | Type 4 SPD for Type 2 applications |
| Maximum continuous operating voltage MCOV (L-G) | 320 V AC                           |
| Nom. voltage                                    | 240 V AC                           |
| Mode of protection                              | L-L                                |
|   | L-G                                |
| Power distribution system                       | 3D                                 |
| Nominal frequency                               | 50/60 Hz                           |
| Voltage protection rating VPR (L-L)             | 2 kV                               |
| Voltage protection rating VPR (L-G)             | 1.2 kV                             |
| Nominal discharge current $I_n$ (L-L)           | 20 kA                              |
| Nominal discharge current $I_n$ (L-G)           | 20 kA                              |

### Classifications

eCl@ss

|            |          |
|------------|----------|
| eCl@ss 4.0 | 27140201 |
|------------|----------|

## Type 2 surge protection device - VAL-MS 320/3+0 - 2920230

### Classifications

#### eCl@ss

|            |          |
|------------|----------|
| eCl@ss 4.1 | 27130801 |
| eCl@ss 5.0 | 27130801 |
| eCl@ss 5.1 | 27130801 |
| eCl@ss 6.0 | 27130805 |
| eCl@ss 7.0 | 27130805 |
| eCl@ss 8.0 | 27130805 |

#### ETIM

|          |          |
|----------|----------|
| ETIM 2.0 | EC000941 |
| ETIM 3.0 | EC000941 |
| ETIM 4.0 | EC000941 |
| ETIM 5.0 | EC000941 |

#### UNSPSC

|               |          |
|---------------|----------|
| UNSPSC 6.01   | 30212010 |
| UNSPSC 7.0901 | 39121610 |
| UNSPSC 11     | 39121610 |
| UNSPSC 12.01  | 39121610 |
| UNSPSC 13.2   | 39121620 |

### Approvals

#### Approvals

---

#### Approvals

UL Recognized / KEMA-KEUR / ÖVE / cUL Recognized / GOST / CCA / IECCEB Scheme / KEMA-KEUR / ÖVE / CSA / cULus Recognized

---

#### Ex Approvals

---

#### Approvals submitted

---

#### Approval details


|   |
|---|
| UL Recognized  |
|---|

## Type 2 surge protection device - VAL-MS 320/3+0 - 2920230

### Approvals

KEMA-KEUR 

ÖVE 

cUL Recognized 

GOST 

CCA

IECEE CB Scheme 

KEMA-KEUR 

ÖVE 

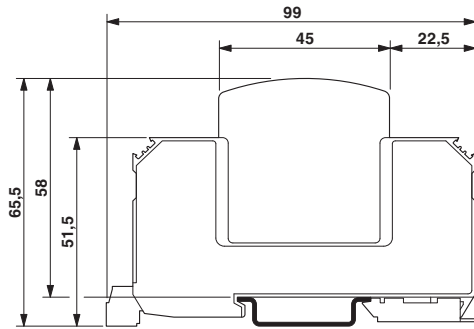
CSA

cULus Recognized 

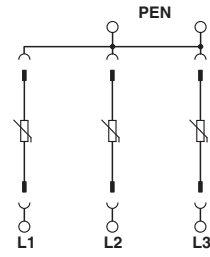
### Drawings

## Type 2 surge protection device - VAL-MS 320/3+0 - 2920230

Dimensioned drawing



Circuit diagram



The illustration shows the dimensional drawing for a version with remote indicator contact