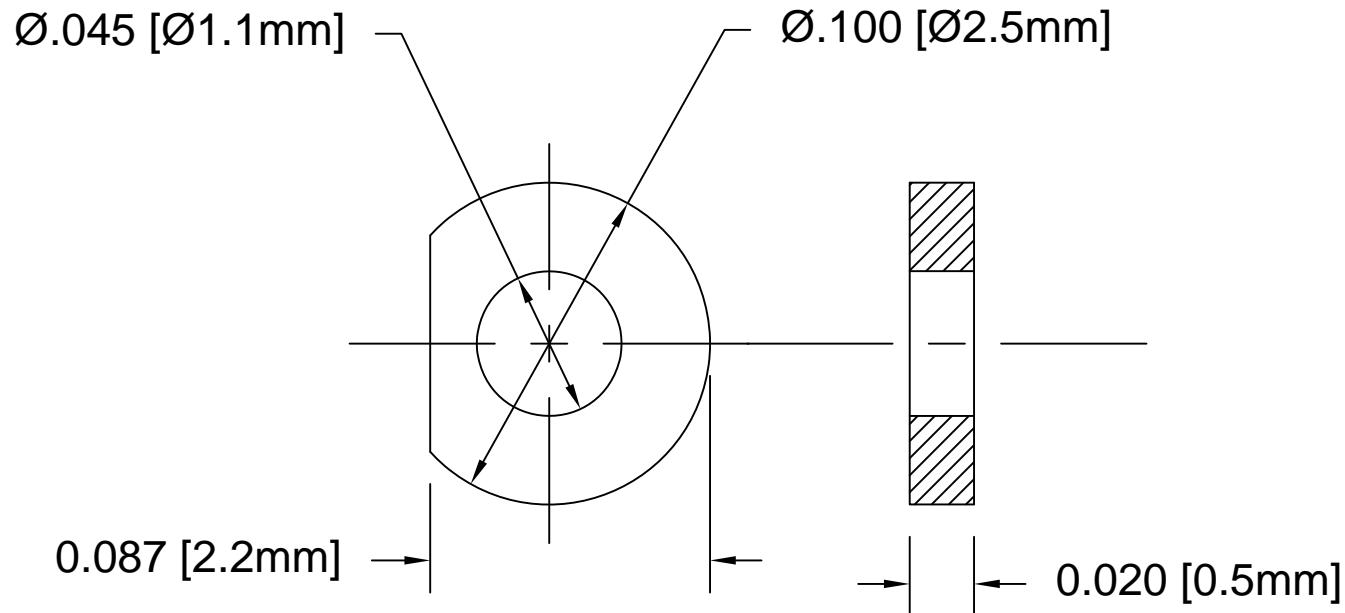

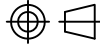


| REV. | DESCRIPTION | DATE | APPROVED |
|----------|--------------------------------------|-----------------|--------------|
| C | Engineering Update w/o Changes | 02/20/04 | M. C. |
| D | Changed Material From 03-NL to 21-NL | 11/11/04 | M. C. |
| E | Corrected Typo | 04/24/07 | M. C. |
| F | Added 25-CR Material Code | 08/14/07 | M. C. |
| G | Removed Material Code | 05/23/16 | J. C. |



2. MATERIAL: POLYESTER FILM, 94VTM-2, CLEAR.

1. GENERAL SPECIFICATIONS: BIVAR MOLDED COMPONENT SPECIFICATION BV00-E101.

| STANDARD TOLERANCE (UNLESS OTHERWISE SPECIFIED) | |  BIVAR [®] 4 THOMAS, IRVINE, CA. 92618 TEL: (949) 951-8808 FAX: (949) 951-3974 | |
|--|--------------------------|--|-----------------------|
| DECIMALS | ANGULAR | | |
| .X ± .1 | X° ± 1° |  PERM-O-PAD | G |
| .XX ± .01 | | | |
| .XXX ± .005 | | | |
| DESIGNED: S. Irving | DATE: 11/02/98 | PART NO: 412-020 | |
| CHECKED: M. Chen | DATE: 01/25/02 | CAGE CODE : 32559 | SHEET # 1 OF 1 |
| CAD GENERATED DOCUMENT. DO NOT MEASURE DRAWING. | | | |