



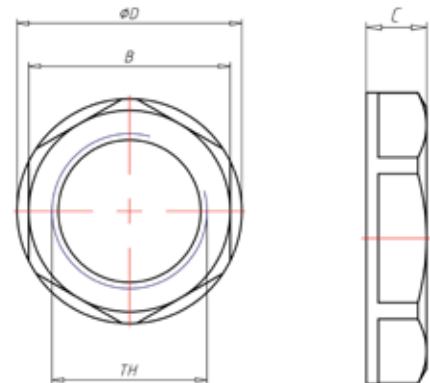
Nylon Locknuts NPT Thread

Made of strong and chemical-resistant PA66 material, locknut secures non-metallic NPT fittings when used with non-threaded entries.



Thread Size	HellermannTyton Part Number	Manufacturer Reference Number	Dimensions					
			Wrenching Flats B		Outside Dimensions ØD		Thickness C	
			in.	mm	in.	mm	in.	mm
3/8	ALPA0380	038-B	1.06	26.9	1.14	29	.26	6.7
1/2	ALPA0500	050-B	1.06	26.9	1.14	29	.26	6.7
3/4	ALPA0750	075-B	1.31	33.3	1.41	36	.26	6.7
1.0	ALPA1000	100-B	1.61	40.8	1.81	46	.26	6.7

Technical Properties and Performance	
Property	Rating
Material	PA66 Nylon
Application	Used to secure non-metallic NPT fitting when used with non-threaded entry.
IP (Ingress Protection) rating	NA
Temperature Range	-50°C to +135°C
Color	Black
Thread Pattern	NPT
Supplied with neoprene face seal washer	No
Suitable for fine or coarse pitch conduits	NA
UL Recognized (File E229161)	No
UL Listed (File No. E247502)	No
UV Resistant	No
Halogen, Sulphur and Phosphorous free	yes
Anti vibration and Tamper Resistant (EN 61373 Cat 2)	NA
Flammability: UL 94	NA
Country of Origin	United Kingdom



Warranty Policy HellermannTyton products are warranted to be free from defects in material and workmanship at the time sold by us; but our obligation under this warranty and that of the seller is limited to the replacement of the product, and neither we nor the seller are bound by any other warranty, expressed, implied or statutory. Under no circumstances are we or the seller liable for any loss, damage, expenses or consequential damages of any kind arising out of the use or inability to use these products. All are sold with the understanding that the user will test them in actual use and determine their adaptability for the intended uses. Every effort is made to ensure accuracy and completeness when describing the technical properties of these products.