

**Notes:**  
Packaged individually in PE bag

Revision:	Date:	Description:	Prepared:	Notes:	<b>TENSILITY</b> tel 1.541.323.3228 800 877.670.7118 fax 1.541.323.4202 web tensility.com			
A	4/9/2018	Initial release	AW <small>Digitally signed by AW Date: 2018.04.18 12:50:19 -0700</small>			RoHS compliant		
			Verified:	Description: Tool, assembly connector, max connector OD 5.5 mm, ABS	Size:			
			JP <small>Digitally signed by JP Date: 2018.04.18 13:22:46 -0700</small>		Part number:			
			Dimensions are in millimeters. Tolerances: X: $\pm 0.5$ mm X.X: $\pm 0.3$ mm X.XX: $\pm 0.05$ mm		A	55-00096		
				Scale:	1:1			Sheet 1 of 2

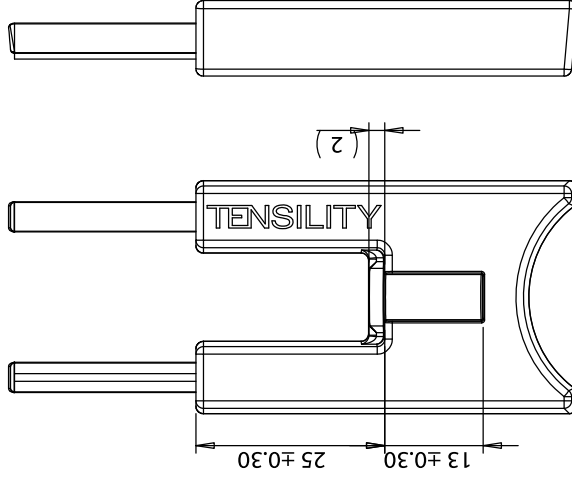
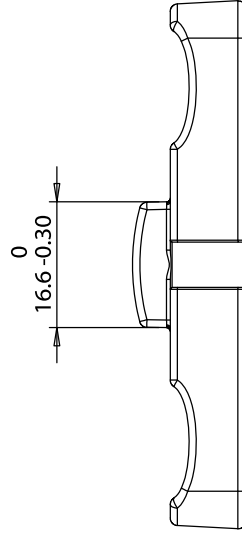
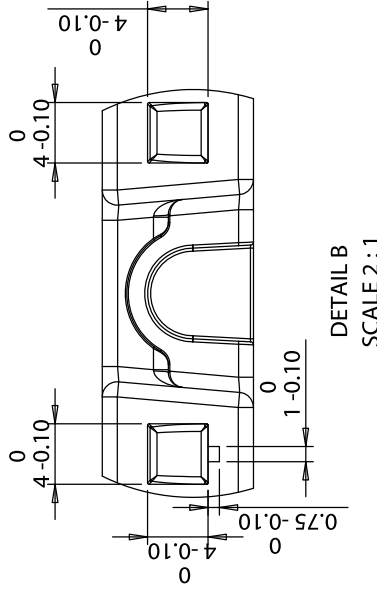
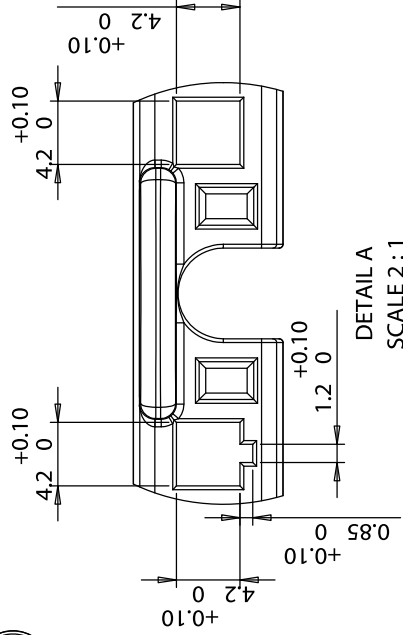
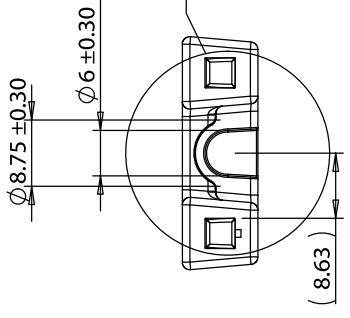
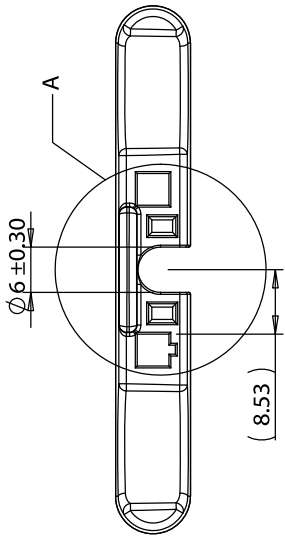
5

4

3

2

1



**Notes:**  
Packaged individually in PE bag

Revision:	Date:	Description:	Prepared:	Notes:	TENSILITY	
A	4/9/2018	Initial release	AW Digitally signed by AW Date: 2018.04.18 13:50:34 -0700	RoHS compliant	tel 1.541.323.3228 800 877.670.7118 fax 1.541.323.4202 web tensility.com	
			Verified: JP JPMorgan Chase Bank, N.A.	Description: Tool, assembly connector, max connector OD 5.5 mm, ABS	Size: A	Part number: 55-00096
			Dimensions are in millimeters. Tolerances: X: $\pm 0.5$ mm X.X: $\pm 0.3$ mm X.XX: $\pm 0.05$ mm		Scale: 1:1	Sheet 2 of 2