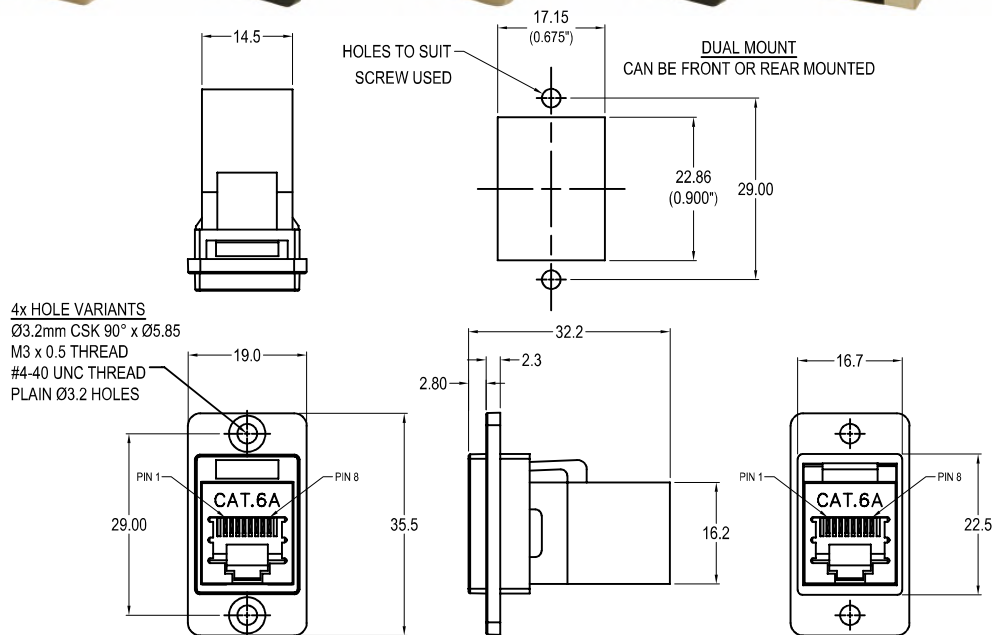


# CLIFF

## DUALSLIM CAT.6A SHIELDED RJ45 METAL FRAME FEEDTHROUGH CONNECTOR

Can be front or rear mounted in the panel



### VARIANTS

Part No.

<b>CP30725SM</b>	DUALSLIM Cat.6A RJ45 Shielded Nickel frame, CSK holes
<b>CP30725SMB</b>	DUALSLIM Cat.6A RJ45 Shielded Black metal frame, CSK holes
<b>CP30725SM3</b>	DUALSLIM Cat.6A RJ45 Shielded Nickel frame, M3 holes
<b>CP30725SMB3</b>	DUALSLIM Cat.6A RJ45 Shielded Black metal frame, M3 holes
<b>CP30725SM440</b>	DUALSLIM Cat.6A RJ45 Shielded Nickel frame, #4-40 holes
<b>CP30725SMB440</b>	DUALSLIM Cat.6A RJ45 Shielded Black metal frame, #4-40 holes
<b>CP30725SMX1</b>	DUALSLIM Cat.6A RJ45 Shielded Nickel frame, Ø3.2 PLAIN holes
<b>CP30725SMBX1</b>	DUALSLIM Cat.6A RJ45 Shielded Black metal frame, Ø3.2 PLAIN holes

### Feedthrough Features

- Fits standard rectangular cutout.
- Front or rear mounting through the panel.
- Various hole mounting options.
- No soldering or punch termination. Use standard cable for each connector style.
- Low rear profile.

### General:

Please note: Functionality is affected by cable quality, length and cable wiring configuration.

### Material:

- 1.RJ45 In-Line Coupler:  
PC/ABS, UL 94V-0, Black colour
- 2.RJ45 In-Line Coupler Contact:  
Phosphor Bronze, 3-50 micro inches gold plating over nickel plate.
- 3.PCB: FR4, UL 94V-0
4. Frame: Diecast, Nickel or Black plated

### Performance:

- 1.T568A & T568B wiring.
- 2.Meet ISO/IEC 11801 and EN50173
- 3.Meet ANSI/TIA/EIA 568B.2
- 4.Operating temperature: Min -10°C Max +70°C