

### 15° 5 Watts 4 phases Part number 82910502



- 24 steps/revolution (15°)
- Absorbed power : 5 W
- 2 or 4 phase versions available

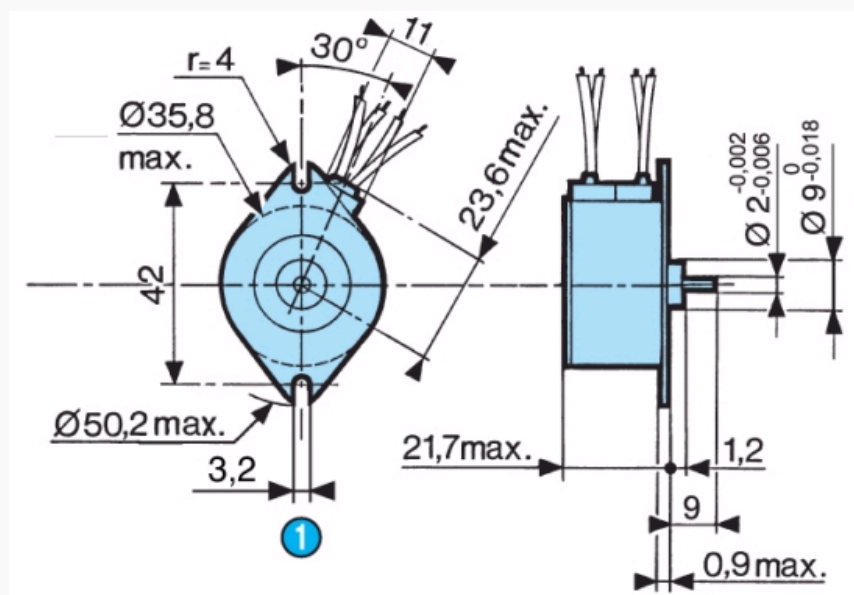
#### Part numbers

	Type	Type	Number of phases
82910502	4 phases	82 910 5	4

#### Specifications

Electronic controller used	Unipolar
Resistance per phase ( $\Omega$ )	115
Inductance per phase (mH)	62
Current per phase (A)	0,14
Holding torque (mNm)	15
Voltage at motor terminals (V)	17
Absorbed power (W)	5
Step angle ( $^\circ$ )	15
Positioning accuracy (%)	5
Rotor inertia ( $\text{gcm}^2$ )	4,9
Max. detent torque (mNm)	3
Max. coil temperature ( $^\circ\text{C}$ )	120
Storage temperature ( $^\circ\text{C}$ )	-40 $\rightarrow$ +80
Thermal resistance of coil - ambient air ( $^\circ\text{C/W}$ )	14
Insulation resistance (at 500 Vcc) (M $\Omega$ ) following NFC 51200 standard	$> 10^3$
Bearings	Sintered bronze
Insulation voltage (50 Hz, 1 minute) (V) following NFC 51200 standard	$> 600$
Wires length (mm)	250
Weight (g)	90
Protection rating	IP 40

#### Dimensions (mm)



N°	Legend
----	--------

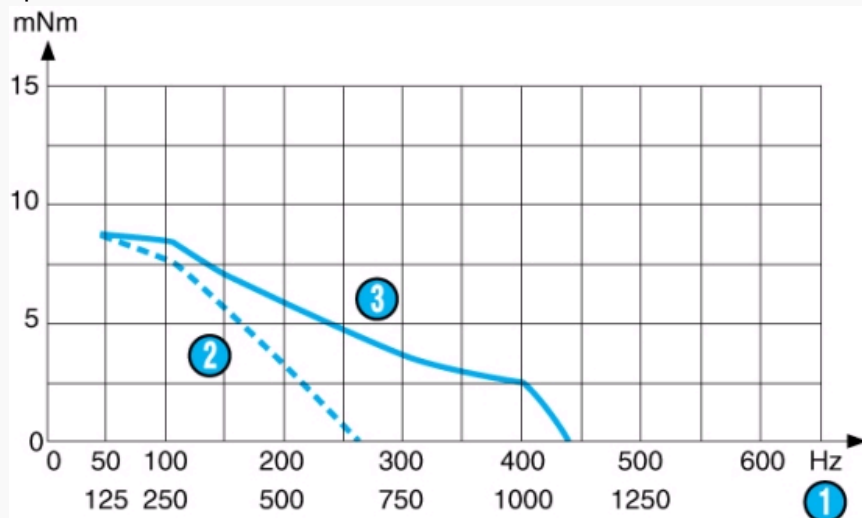


2 fixing holes  $\varnothing 3,2^{+0,1}$

**Curves**

**Nominal value dynamic curves**

4 phases - 115  $\Omega$



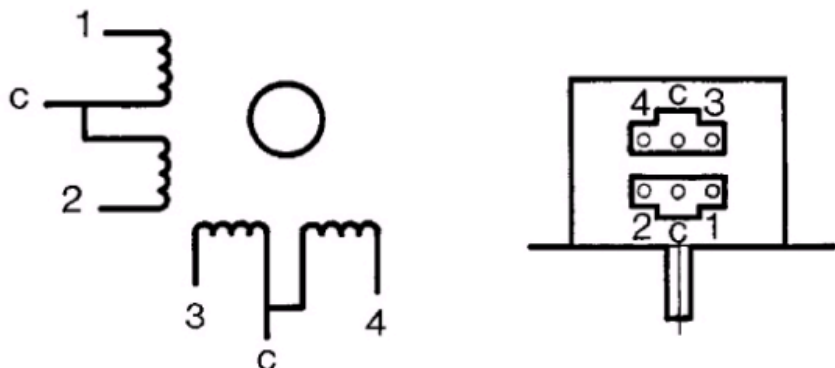
Measurement conditions : 89990101 constant voltage supply board, 17 V at motor terminals, 2 phases energised, full steps, inertia of measuring system 4.53 g.cm<sup>2</sup>

N°	Legend
1	RPM
2	Stopping-starting
3	Max. operating curves

**Connections**

4 phases

	1	2	3	4
1	-		-	
2	-			-
3		-		-
4		-	-	
5	-		-	



Energisation sequence for clockwise rotation : 2 phases energised (viewed from shaft end, front forward) Commons connected to positive.

N°	Legend
----	--------



Step

**Product adaptations**

- Special output shafts
- Special supply voltages
- Special cable lengths
- Special connectors