



Selector switch, illuminable, 22 mm, round, plastic, blue, selector switch, short, 3 switch positions I>O<II, momentary contact on the left, latching on the right, actuating angle 2x45°, 10:30h/12h/13:30h

|  |  |
|--|--|
| product brand name                                 | SIRIUS ACT   |
| product designation                                | Selector switches  |
| design of the product                              | Actuating/signaling element  |
| product type designation                           | 3SU1   |
| product line                                       | Plastic, black, 22 mm  |
| <b>Enclosure</b>                                   |  |
| number of command points                           | 1  |
| <b>Actuator</b>                                    |  |
| design of the actuating element                    | Selector, short  |
| principle of operation of the actuating element    | momentary contact/latching, 2x45° (10:30 h/12 h/13:30 h), return from left, right latching |
| product extension optional                         |  |
| • light source                                     | Yes  |
| • contact module                                   | Yes  |
| color of the actuating element                     | blue   |
| material of the actuating element                  | plastic  |
| shape of the actuating element                     | Handle   |
| outer diameter of the actuating element            | 32.3 mm  |
| number of switching positions                      | 3  |
| actuating angle                                    |  |
| • clockwise  | 45°  |
| • anticlockwise                                    | 45°  |
| <b>Front ring</b>                                  |  |
| product component front ring                       | Yes  |
| design of the front ring                           | standard   |
| material of the front ring                         | plastic  |
| color of the front ring                            | black  |
| <b>General technical data</b>                      |  |
| protection class IP                                | IP66, IP67, IP69(IP69K)  |
| degree of protection NEMA rating                   | 1, 2, 3, 3R, 4, 4X, 12, 13   |
| shock resistance                                   |  |
| • according to IEC 60068-2-27                      | sinusoidal half-wave 15g / 11 ms   |
| • for railway applications according to EN 61373   | Category 1, Class B  |
| vibration resistance                               |  |
| • according to IEC 60068-2-6                       | 10 ... 500 Hz: 5g  |
| • for railway applications according to EN 61373   | Category 1, Class B  |
| operating frequency maximum                        | 1 800 1/h  |
| mechanical service life (switching cycles) typical | 1 000 000  |
| reference code according to IEC 81346-2            | S  |

|  |  |
|--|--|
| <b>Substance Prohibitance (Date)</b>                           | 10/01/2014   |
| <b>Safety related data</b>                                     |  |
| B10 value with high demand rate according to SN 31920          | 300 000  |
| <b>proportion of dangerous failures</b>                        |  |
| • with low demand rate according to SN 31920                   | 20 %   |
| • with high demand rate according to SN 31920                  | 20 %   |
| failure rate [FIT] with low demand rate according to SN 31920  | 100 FIT  |
| <b>Ambient conditions</b>                                      |  |
| <b>ambient temperature</b>                                     |  |
| • during operation   | -25 ... +70 °C   |
| • during storage   | -40 ... +80 °C   |
| environmental category during operation according to IEC 60721 | 3M6, 3S2, 3B2, 3C3, 3K6 (with relative air humidity of 10 ... 95%) |
| <b>Installation/ mounting/ dimensions</b>                      |  |
| <b>height</b>  | 32.3 mm  |
| <b>width</b>   | 32.3 mm  |
| <b>shape of the installation opening</b>                       | round  |
| <b>mounting diameter</b>                                       | 22.3 mm  |
| <b>positive tolerance of installation diameter</b>             | 0.4 mm   |
| <b>mounting height</b>   | 28.8 mm  |
| <b>installation width</b>                                      | 32.3 mm  |
| <b>installation depth</b>                                      | 25.4 mm  |
| <b>Certificates/ approvals</b>                                 |  |
| <b>General Product Approval</b>                                | <b>Declaration of Conformity</b>                                   |



[Confirmation](#)



**Test Certificates**

**Marine / Shipping**

[Type Test Certificates/Test Report](#)

[Special Test Certificate](#)



LRS



PRS



RINA

**Marine / Shipping**

**other**



[Environmental Confirmations](#)

[Confirmation](#)

**Further information**

Information- and Downloadcenter (Catalogs, Brochures,...)

<https://www.siemens.com/ic10>

Industry Mall (Online ordering system)

<https://mall.industry.siemens.com/mall/en/en/Catalog/product?mlfb=3SU1002-2BP50-0AA0>

Cax online generator

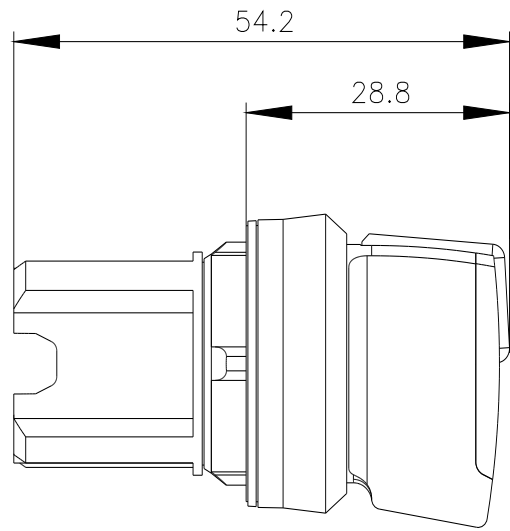
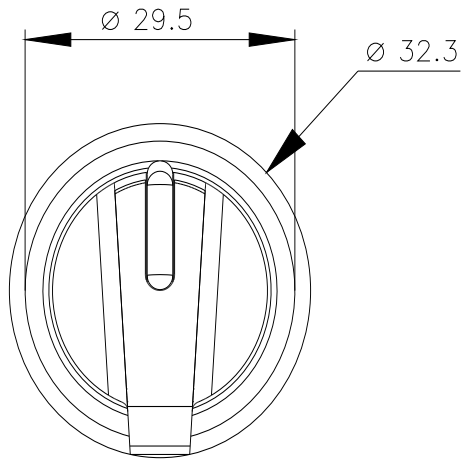
<http://support.automation.siemens.com/WW/CAXorder/default.aspx?lang=en&mlfb=3SU1002-2BP50-0AA0>

Service&Support (Manuals, Certificates, Characteristics, FAQs,...)

<https://support.industry.siemens.com/cs/ww/en/ps/3SU1002-2BP50-0AA0>

Image database (product images, 2D dimension drawings, 3D models, device circuit diagrams, EPLAN macros, ...)

[http://www.automation.siemens.com/bilddb/cax\\_de.aspx?mlfb=3SU1002-2BP50-0AA0&lang=en](http://www.automation.siemens.com/bilddb/cax_de.aspx?mlfb=3SU1002-2BP50-0AA0&lang=en)



last modified:

1/26/2022 