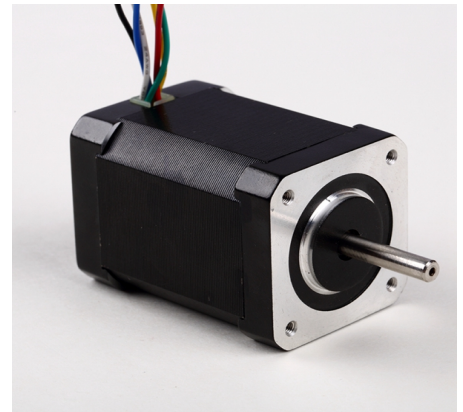


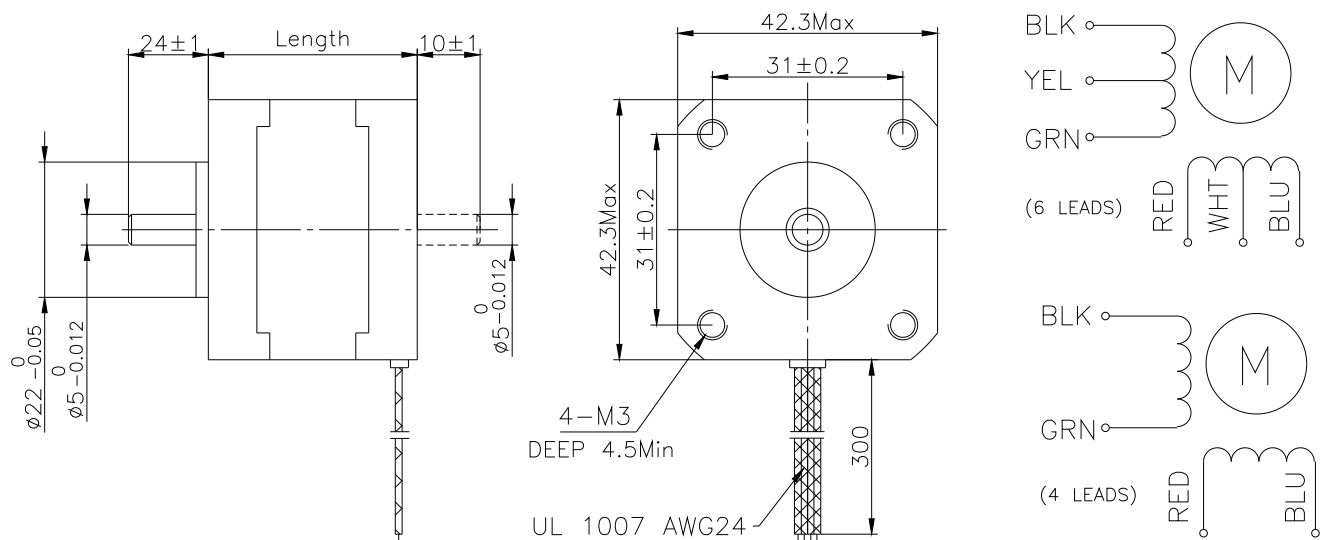
| | |
|-----------------------|-----------------------------------|
| Step Angle | 1.8° (+/-5% @ full step, no load) |
| Resistance Accuracy | +/-10% |
| Inductance Accuracy | +/-20% |
| Temperature Rise | 80DegreeC MAX. |
| Ambient Temperature | -20 ~ +50 DegreeC |
| Shaft Radial Play | 0.02MAX @ 450g-load |
| Shaft Axial Play | 0.08MAX @ 450g-load |
| MAX Radial Force | 28N @ 20mm from the flange |
| MAX Axial Force | 10N |
| Dielectric Strength | 500VAC for one minute |
| Insulation Resistance | MIN 100Mohms, 500VDC |

42 mm Series (NEMA 17 size)
1.8Degree High Torque Type



| Model | | Rated Voltage | Current /Phase | Resistance /Phase | Inductance /Phase | Holding Torque | Leads Number | Rotor Inertia | Approx. Weight | Detent Torque | Body Length |
|--------------|--------------|---------------|----------------|-------------------|-------------------|----------------|--------------|-------------------|----------------|---------------|-------------|
| Single Shaft | Double Shaft | | | | | | | | | | |
| LDO-42STH*** | | V | A | ohms | mH | Kg.cm | | g.cm ² | Kg | g.cm | mm |
| ***25-0404A | ***25-0404B | 9.6 | 0.4 | 24 | 36 | 1.7 | 4 | 20 | 0.15 | 75 | 25 |
| ***33-0956A | ***33-0956B | 4 | 0.95 | 4.2 | 2.5 | 1.6 | 6 | 35 | 0.22 | 120 | 34 |
| ***33-0406A | ***33-0406B | 9.6 | 0.4 | 24 | 15 | 1.6 | 6 | | | | |
| ***33-0316A | ***33-0316B | 12 | 0.31 | 38.5 | 21 | 1.6 | 6 | | | | |
| ***33-1334A | ***33-1334B | 2.8 | 1.33 | 2.1 | 2.5 | 2.2 | 4 | | | | |
| ***38-1206A | ***38-1206B | 4 | 1.2 | 3.3 | 3.2 | 2.6 | 6 | 54 | 0.28 | 150 | 40 |
| ***38-0806A | ***38-0806B | 6 | 0.8 | 7.5 | 6.7 | 2.6 | 6 | | | | |
| ***38-0406A | ***38-0406B | 12 | 0.4 | 30 | 30 | 2.6 | 6 | | | | |
| ***38-1684A | ***38-1684B | 2.8 | 1.68 | 1.65 | 3.2 | 3.6 | 4 | | | | |
| ***47-1206A | ***47-1206B | 4 | 1.2 | 3.3 | 2.8 | 3.17 | 6 | 68 | 0.35 | 200 | 48 |
| ***47-0806A | ***47-0806B | 6 | 0.8 | 7.5 | 6.3 | 3.17 | 6 | | | | |
| ***47-0406A | ***47-0406B | 12 | 0.4 | 30 | 25 | 3.17 | 6 | | | | |
| ***47-1684A | ***47-1684B | 2.8 | 1.68 | 1.65 | 2.8 | 4.4 | 4 | | | | |
| ***60-1206A | ***60-1206B | 7.2 | 1.2 | 6 | 7 | 6.5 | 6 | 102 | 0.5 | 280 | 60 |

(Model format: LDO-42STH60-1206A)



Note: NEMA8,11,14,15,17,23,34,43 size are available for stepper motors, and 0.9Degree Stepper is also available.