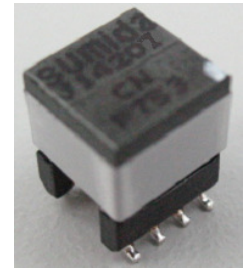
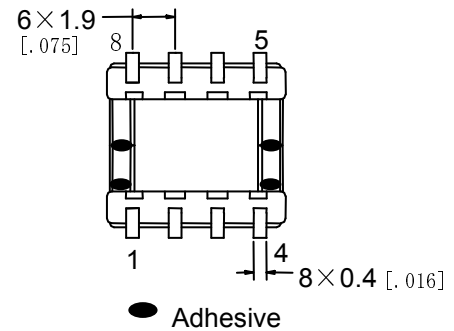
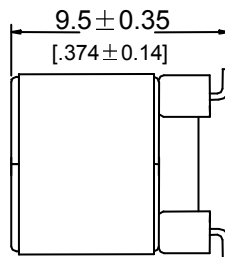
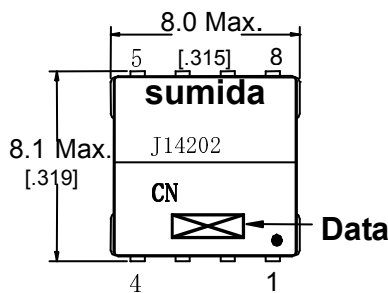
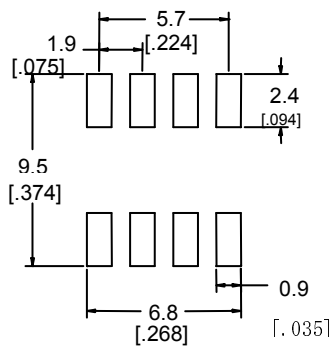
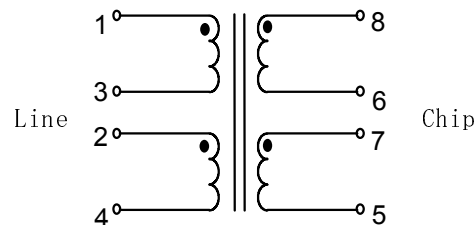


Type: CEP710B
◆ Product Description

- 8.1 × 8.0mm Max. (L × W), 9.85mm Max. height.
- Custom design is available.


◆ Feature

- VDSL line transformer.
- Ideally used in VDSL/VDSL2 CO equipments.
- Approved by Broadcom (BCM6511/6526, BCM6516/6524) and Alcatel.
- RoHS Compliance

◆ Dimensions (mm)

◆ Land Pattern (mm)

◆ Schematics (Bottom)

◆ Specification

| Part No. | Inductance (μH) | Turns ratio | THD (dB) (TYP.) | Insulation | Application |
|----------|-----------------|-------------|---------------------|------------|-------------|
| J14202 | 420 ±10% | 2.5: 1 | -60dB(30K, 3.0V) | Functional | VDSL2 CO |
| J14207 | 420 ±10% | 2.5: 1 | -60dB(30K, 3.0V) | Functional | VDSL2 CO |
| J14208 | 100 ±10% | 2.5: 1 | -80dB(100KHz, 3.0V) | Functional | VDSL2 CO |
| J14214 | 420 ±10% | 2: 1 | -60dB(30K, 3.0V) | Functional | VDSL2 CO |
| J14215 | 100 ±10% | 2: 1 | -80dB(100KHz, 3.0V) | Functional | VDSL2 CO |