

5

4

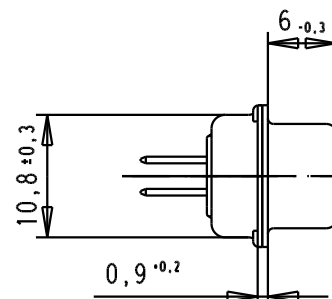
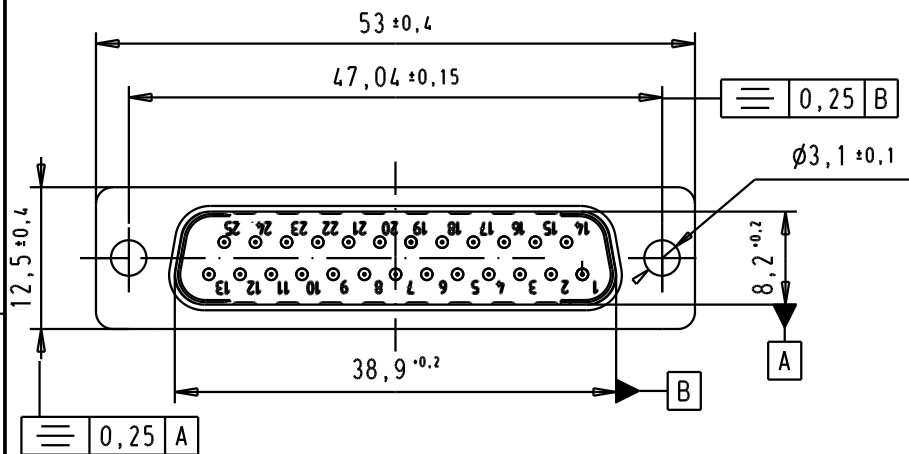
3

2

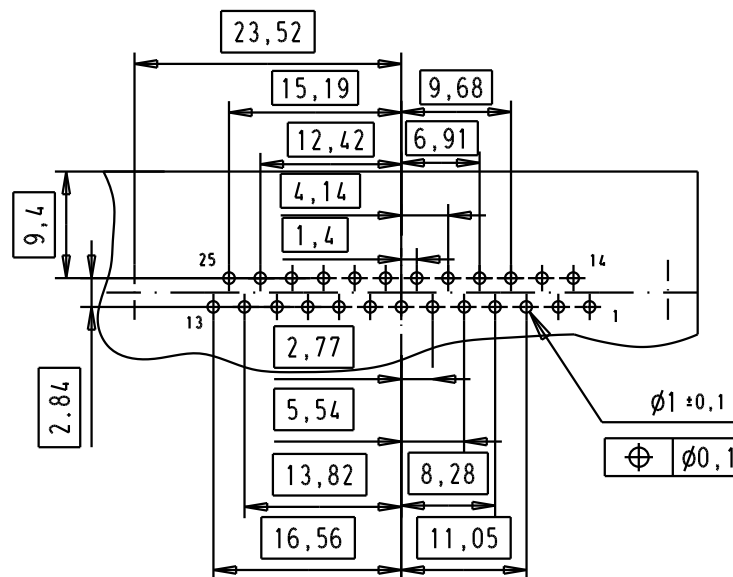
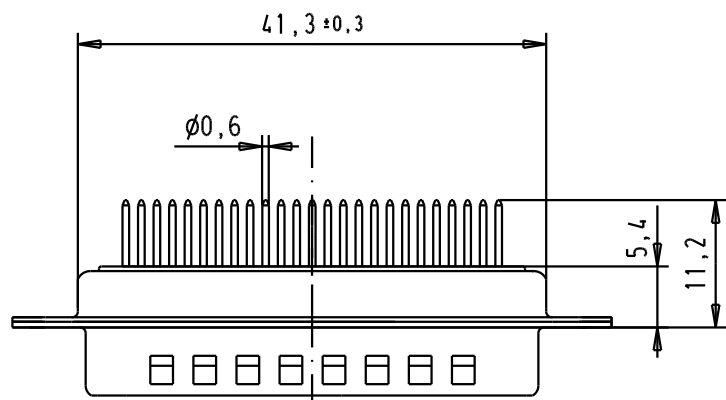
1

SPECIFICATION

Mating Cycles	500
Filter type	C
Capacitance	470pf±20%
Working Voltage	100v
Current Rating	7.5A
Insulation Resistance	>1GΩ

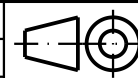


PCB Layout, Component side



FREQUENCY (MHz)	ATTENUATION (dB)
5	-
10	1dB
50	10dB
100	15dB
500	35dB
1000	32dB

Mod.	Dat.	Name	Detail.	Dat.	Name
			Insp.		
			Stand.		
33423	06/02/06	JMDR			
31058	8-JUL-02	CV			
			HARTING EURL F-95972 Paris		



All Dim. in mm
Orig. Size DIN A 4

D-Sub, male, straight,
25 Poles, turned solder
pin, tin plated shell with
dimples and holes

Ma?Mstab/
Scale

1.5:1

TB 09643227220

Blatt/ Page

1 / 1

Sub.