

NOTES:

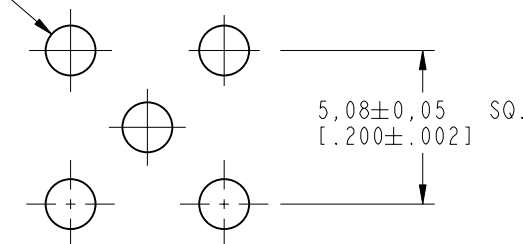
1. DO NOT SCALE THIS DRAWING.
2. MATERIALS AND FINISHES:  
 BODY - BRASS, GOLD PLATING.  
 CONTACT - BeCu, GOLD PLATING.  
 INSULATOR - PTFE, NATURAL.  
 HEX NUT - BRASS, GOLD PLATING.
3. ELECTRICAL:  
 A. IMPEDANCE: 50 OHM  
 B. FREQUENCY RANGE: DC - 6 GHz  
 C. VSWR(RETURN LOSS): 1.15 MAX.  
 (SINGLE CONNECTOR TERMINATED, NO PCB LAUNCH INCLUDED)
4. PHYSICAL:  
 A. DURABILITY: 100 CYCLES MIN.  
 B. TEMPERATURE RANGE: -65°C - +165°C
5. PACKAGING:  
 A. QUANTITY: SINGLE PACK  
 B. MARKING: BAG TO BE MARKED  
 "AMPHENOL, 930-163J-51P, AND DATE CODE"

THIRD ANGLE PROJ.

REVISIONS

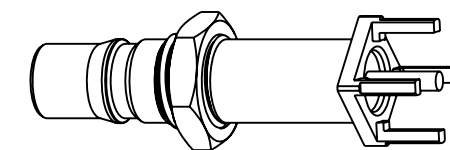
REV	DESCRIPTION	DATE	ECO	APPR
A	RELEASED TO MFG.	2/7/08	46957	NMV
B	SEE SHEET 1	3/5/08	46978	MY
C	SYNC DRAWING WITH DANBURY /RD-DMI507280IS7	04-Aug-15	50644	DD
D	UPDATED THE TEMPERATURE RANGE	08-Jan-18	06422	SC

5 X  $\varnothing 1,65 \pm 0,05$   
 [.065 ± .002]

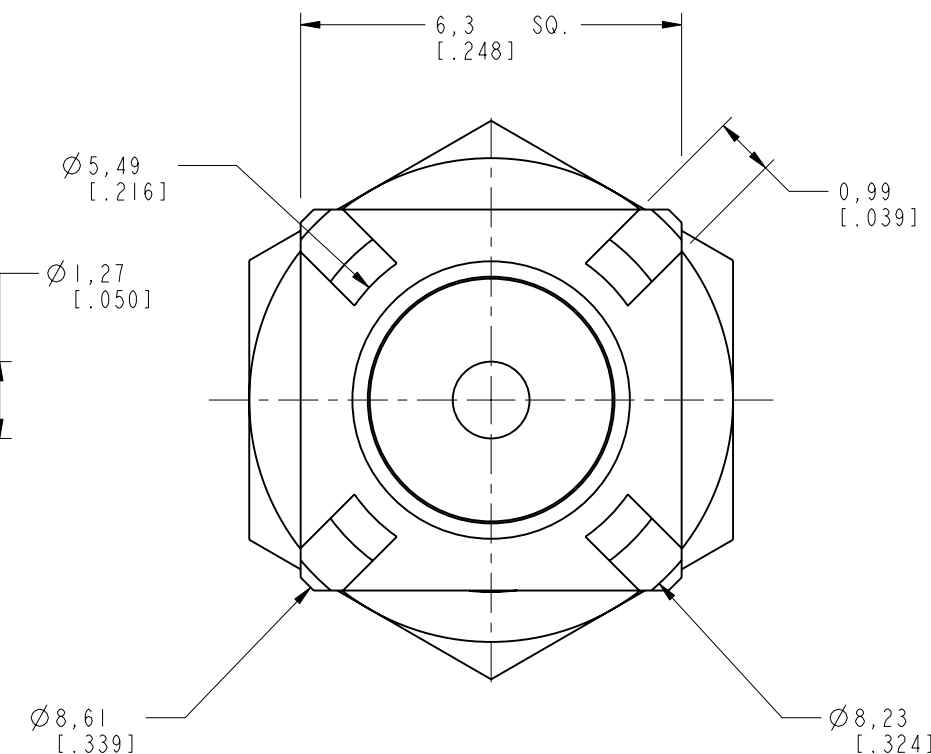
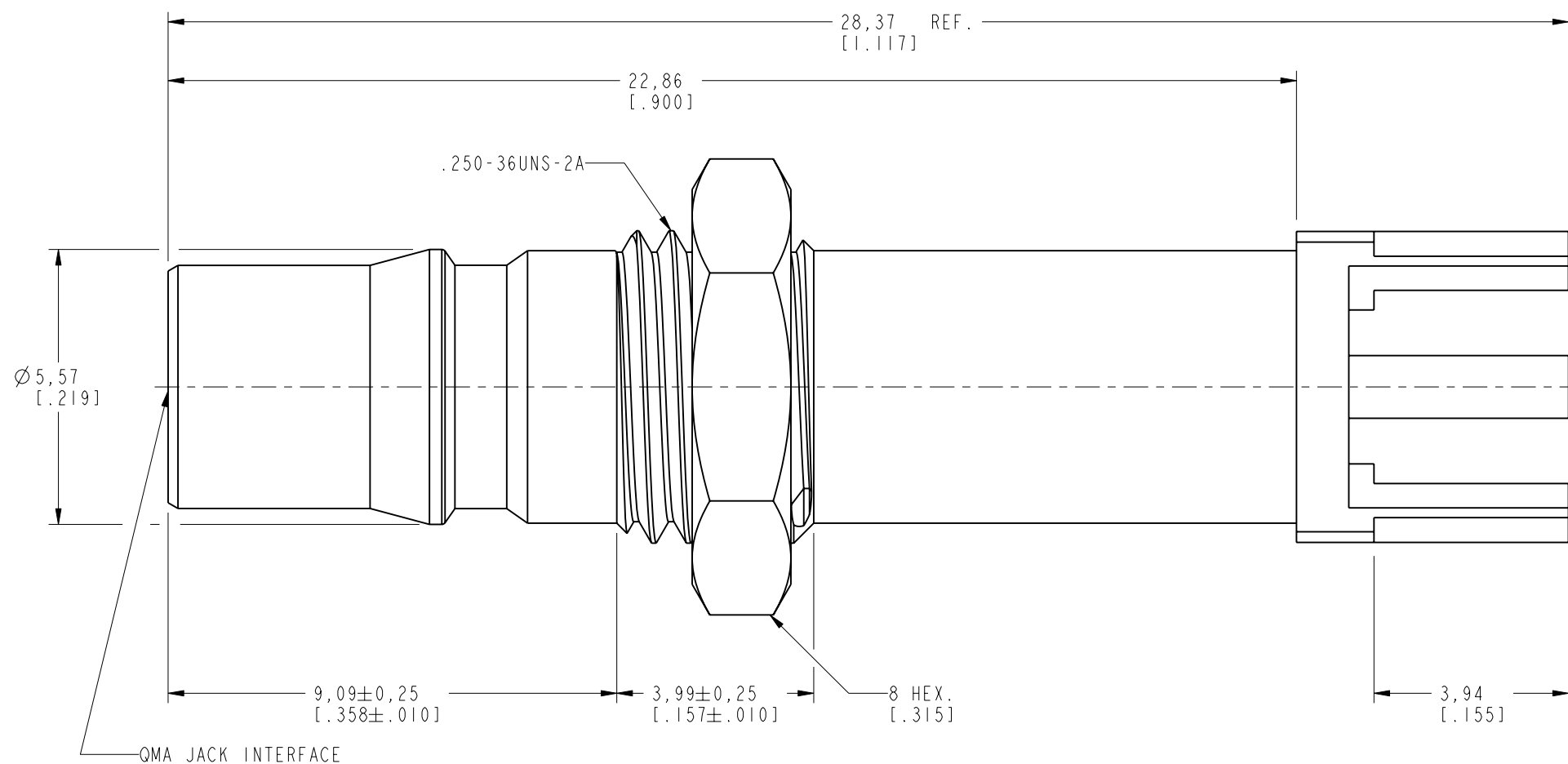


**RECOMMENDED PANEL CUTOUT**

SCALE 4.000



SCALE 2.000



**CUSTOMER OUTLINE DRAWING**

ALL OTHER SHEETS ARE FOR INTERNAL USE ONLY

UNLESS OTHERWISE SPECIFIED, DIMENSIONS ARE IN METRIC AND TOLERANCES ARE: <0.5mm ± 0.05mm    0.5 - 6mm ± 0.1mm    6 - 30mm ± 0.2mm    30 - 120mm ± 0.3mm    ANGLES ± 1°	MATERIAL	DRAWN STAR	DATE 08-Jan-18	TITLE QMA JACK PC MOUNT RECEPTACLE		Amphenol RF www.amphenolrf.com	
	REFERENCE EAR # 2026 AND CONFIGURATION LEVEL: In Work	ENGINEER M. YU	DATE 03-Mar-06				
NOTICE - These drawings, specifications, or other data (1) are, and remain the property of Amphenol corp. (2) must be returned upon request; and (3) are confidential and not to be disclosed to any person other than those to whom they are given by Amphenol Corp. the furnishing of these drawings, specifications, or other data by Amphenol Corp., or to any other person to anyone for any purpose is not to be regarded by implication or otherwise in any manner licensing, granting rights to permitting such holder or any other person to manufacture, use or sell any product, process or design, patented or otherwise, that may in any way be related to or disclosed by said drawings, specifications, or other data.	FINISH	APPROVED S. HSIEH	DATE 08-Jan-18	SCALE: 8.0:1.0	SHEET 2 OF 2	ITEM NO. 930-163J-51P	PART NO. 930-163J-51P
		CAD FILE I:\QMA\930-163J-51P		DWG SIZE B	REV D		