

PLEASE CHECK WWW.MOLEX.COM FOR LATEST PART INFORMATION

Part Number: **0475891101**
Status: **Active**
Overview: Consumer USB Products
Description: Micro-USB AB Receptacle without Flange, Bottom Mount, Through-Hole, 0.60mm Hole Size, Black

Documents:

[Drawing \(PDF\)](#) [Packaging Specification PK-47589-001 \(PDF\)](#)
[Product Specification PS-47589-001-001 \(PDF\)](#) [RoHS Certificate of Compliance \(PDF\)](#)

Agency Certification

UL E107635

General

Product Family I/O Connectors
Series 47589
Application Wire-to-Board
Comments Signal contacts 1.0A, Power contacts 1.8A
Component Type Receptacle
Overview Consumer USB Products
Product Name USB 2.0
Type Micro-AB
UPC 887191437354

Physical

Circuits (Loaded) 5
Color - Resin Black
Durability (mating cycles max) 10000
Flammability 94V-0
Gender Receptacle
Keying to Mating Part Yes
Lock to Mating Part No
Material - Metal Copper Alloy
Material - Plating Mating Gold over Palladium Nickel
Material - Plating Termination Gold
Material - Resin Liquid Crystal Polymer
Number of Rows 1
Orientation Right Angle
PCB Retention None
Packaging Type Embossed Tape on Reel
Panel Mount No
Pitch - Mating Interface 0.65mm
Pitch - Termination Interface 0.65mm
Polarized to Mating Part Yes
Ports 1
Surface Mount Compatible (SMC) No
Temperature Range - Operating -30°C to +85°C
Termination Interface: Style Through Hole
Waterproof / Dustproof No

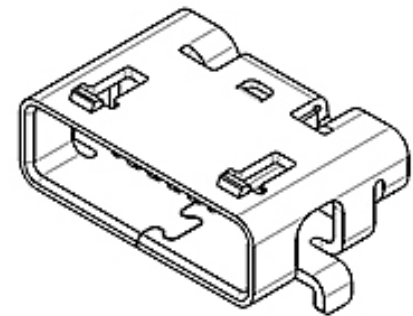
Electrical

Current - Maximum per Contact 1.8A, 1.0A
Voltage - Maximum 30V AC (RMS)

Material Info

Reference - Drawing Numbers

Packaging Specification PK-47589-001



Series image - Reference only

EU ELV

Not Relevant

EU RoHS

Compliant

REACH SVHC

Not Contained Per -
ED/30/2017 (7 July
2017)

Halogen-Free

Status

Low-Halogen

**Need more information on product
environmental compliance?**

Email productcompliance@molex.com
Please visit the [Contact Us](#) section for any
non-product compliance questions.

China ROHS	Green Image
ELV	Not Relevant
RoHS Phthalates	Not Contained

Search Parts in this Series

[47589 Series](#)

This document was generated on 08/04/2017

PLEASE CHECK WWW.MOLEX.COM FOR LATEST PART INFORMATION