

To our customers,

---

## Old Company Name in Catalogs and Other Documents

---

On April 1<sup>st</sup>, 2010, NEC Electronics Corporation merged with Renesas Technology Corporation, and Renesas Electronics Corporation took over all the business of both companies. Therefore, although the old company name remains in this document, it is a valid Renesas Electronics document. We appreciate your understanding.

Renesas Electronics website: <http://www.renesas.com>

April 1<sup>st</sup>, 2010  
Renesas Electronics Corporation

Issued by: Renesas Electronics Corporation (<http://www.renesas.com>)

Send any inquiries to <http://www.renesas.com/inquiry>.

Not recommended  
for new design

## Notice

1. All information included in this document is current as of the date this document is issued. Such information, however, is subject to change without any prior notice. Before purchasing or using any Renesas Electronics products listed herein, please confirm the latest product information with a Renesas Electronics sales office. Also, please pay regular and careful attention to additional and different information to be disclosed by Renesas Electronics such as that disclosed through our website.
2. Renesas Electronics does not assume any liability for infringement of patents, copyrights, or other intellectual property rights of third parties by or arising from the use of Renesas Electronics products or technical information described in this document. No license, express, implied or otherwise, is granted hereby under any patents, copyrights or other intellectual property rights of Renesas Electronics or others.
3. You should not alter, modify, copy, or otherwise misappropriate any Renesas Electronics product, whether in whole or in part.
4. Descriptions of circuits, software and other related information in this document are provided only to illustrate the operation of semiconductor products and application examples. You are fully responsible for the incorporation of these circuits, software, and information in the design of your equipment. Renesas Electronics assumes no responsibility for any losses incurred by you or third parties arising from the use of these circuits, software, or information.
5. When exporting the products or technology described in this document, you should comply with the applicable export control laws and regulations and follow the procedures required by such laws and regulations. You should not use Renesas Electronics products or the technology described in this document for any purpose relating to military applications or use by the military, including but not limited to the development of weapons of mass destruction. Renesas Electronics products and technology may not be used for or incorporated into any products or systems whose manufacture, use, or sale is prohibited under any applicable domestic or foreign laws or regulations.
6. Renesas Electronics has used reasonable care in preparing the information included in this document, but Renesas Electronics does not warrant that such information is error free. Renesas Electronics assumes no liability whatsoever for any damages incurred by you resulting from errors in or omissions from the information included herein.
7. Renesas Electronics products are classified according to the following three quality grades: "Standard", "High Quality", and "Specific". The recommended applications for each Renesas Electronics product depends on the product's quality grade, as indicated below. You must check the quality grade of each Renesas Electronics product before using it in a particular application. You may not use any Renesas Electronics product for any application categorized as "Specific" without the prior written consent of Renesas Electronics. Further, you may not use any Renesas Electronics product for any application for which it is not intended without the prior written consent of Renesas Electronics. Renesas Electronics shall not be in any way liable for any damages or losses incurred by you or third parties arising from the use of any Renesas Electronics product for an application categorized as "Specific" or for which the product is not intended where you have failed to obtain the prior written consent of Renesas Electronics. The quality grade of each Renesas Electronics product is "Standard" unless otherwise expressly specified in a Renesas Electronics data sheets or data books, etc.
  - "Standard": Computers; office equipment; communications equipment; test and measurement equipment; audio and visual equipment; home electronic appliances; machine tools; personal electronic equipment; and industrial robots.
  - "High Quality": Transportation equipment (automobiles, trains, ships, etc.); traffic control systems; anti-disaster systems; anti-crime systems; safety equipment; and medical equipment not specifically designed for life support.
  - "Specific": Aircraft; aerospace equipment; submersible repeaters; nuclear reactor control systems; medical equipment or systems for life support (e.g. artificial life support devices or systems), surgical implantations, or healthcare intervention (e.g. excision, etc.), and any other applications or purposes that pose a direct threat to human life.
8. You should use the Renesas Electronics products described in this document within the range specified by Renesas Electronics, especially with respect to the maximum rating, operating supply voltage range, movement power voltage range, heat radiation characteristics, installation and other product characteristics. Renesas Electronics shall have no liability for malfunctions or damages arising out of the use of Renesas Electronics products beyond such specified ranges.
9. Although Renesas Electronics endeavors to improve the quality and reliability of its products, semiconductor products have specific characteristics such as the occurrence of failure at a certain rate and malfunctions under certain use conditions. Further, Renesas Electronics products are not subject to radiation resistance design. Please be sure to implement safety measures to guard them against the possibility of physical injury, and injury or damage caused by fire in the event of the failure of a Renesas Electronics product, such as safety design for hardware and software including but not limited to redundancy, fire control and malfunction prevention, appropriate treatment for aging degradation or any other appropriate measures. Because the evaluation of microcomputer software alone is very difficult, please evaluate the safety of the final products or system manufactured by you.
10. Please contact a Renesas Electronics sales office for details as to environmental matters such as the environmental compatibility of each Renesas Electronics product. Please use Renesas Electronics products in compliance with all applicable laws and regulations that regulate the inclusion or use of controlled substances, including without limitation, the EU RoHS Directive. Renesas Electronics assumes no liability for damages or losses occurring as a result of your noncompliance with applicable laws and regulations.
11. This document may not be reproduced or duplicated, in any form, in whole or in part, without prior written consent of Renesas Electronics.
12. Please contact a Renesas Electronics sales office if you have any questions regarding the information contained in this document or Renesas Electronics products, or if you have any other inquiries.

(Note 1) "Renesas Electronics" as used in this document means Renesas Electronics Corporation and also includes its majority-owned subsidiaries.

(Note 2) "Renesas Electronics product(s)" means any product developed or manufactured by or for Renesas Electronics.

# HA16114P/PJ/FP/FPJ, HA16120FP/FPJ

## Switching Regulator for Chopper Type DC/DC Converter

REJ03F0055-0200Z  
(Previous: ADE-204-020A)  
Rev.2.0  
Sep.18.2003

### Description

The HA16114P/FP/FPJ and HA16120FP/FPJ are single-channel PWM switching regulator controller ICs suitable for chopper-type DC/DC converters. Integrated totem-pole output circuits enable these ICs to drive the gate of a power MOSFET directly. The output logic of the HA16120 is designed to control a DC/DC step-up (boost) converter using an N-channel power MOS FET. The output logic of the HA16114 is designed to control a DC/DC step-down (buck) converter or inverting converter using a P-channel power MOS FET.

These ICs can operate synchronously with external pulse, a feature that makes them ideal for power supplies that use a primary-control AC/DC converter to convert commercial AC power to DC, then use one or more DC/DC converters on the secondary side to obtain multiple DC outputs. Synchronization is with the falling edge of the 'sync' pulse, which can be the secondary output pulse from a flyback transformer. Synchronization eliminates the beat interference that can arise from different operating frequencies of the AC/DC and DC/DC converters, and reduces harmonic noise. Synchronization with an AC/DC converter using a forward transformer is also possible, by inverting the 'sync' pulse.

Overcurrent protection features include a pulse-by-pulse current limiter that can reduce the width of individual PWM pulses, and an intermittent operating mode controlled by an on-off timer. Unlike the conventional latched shutdown function, the intermittent operating function turns the IC on and off at controlled intervals when pulse-by-pulse current limiting continues for a programmable time. This results in sharp vertical settling characteristics. Output recovers automatically when the overcurrent condition subsides.

Using these ICs, a compact, highly efficient DC/DC converter can be designed easily, with a reduced number of external components.

### Functions

- 2.5 V voltage reference
- Sawtooth oscillator (Triangle wave)
- Overcurrent detection
- External synchronous input
- Totem-pole output
- Undervoltage lockout (UVL)
- Error amplifier
- Vref overvoltage protection (OVP)

**Features**

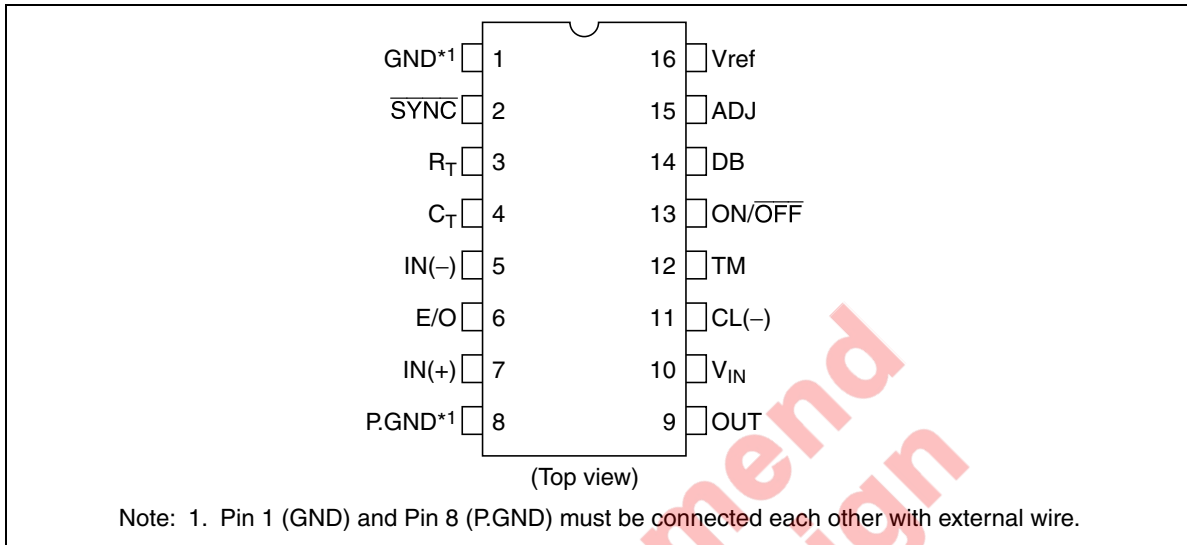
- Wide supply voltage range: 3.9 V to 40 V\*
- Maximum operating frequency: 600 kHz
- Able to drive a power MOS FET ( $\pm 1$  A maximum peak current) by the built-in totem-pole gate pre-driver circuit
- Can operate in synchronization with an external pulse signal, or with another controller IC
- Pulse-by-pulse overcurrent limiting (OCL)
- Intermittent operation under continuous overcurrent
- Low quiescent current drain when shut off by grounding the ON/OFF pin  
 HA16114:  $I_{OFF} = 10 \mu\text{A}$  (max)  
 HA16120:  $I_{OFF} = 150 \mu\text{A}$  (max)
- Externally trimmable reference voltage ( $V_{ref}$ ):  $\pm 0.2$  V
- Externally adjustable undervoltage lockout points (with respect to  $V_{IN}$ )
- Stable oscillator frequency
- Soft start and quick shut function

Note: The reference voltage 2.5 V is under the condition of  $V_{IN} \geq 4.5$  V.

**Ordering Information**
**Hitachi Control ICs for Chopper-Type DC/DC Converters**

Channels	Product Number	Channel No.	Control Functions			Output Circuits	Overcurrent Protection
			Step-Up	Step-Down	Inverting		
Dual	HA17451	Ch 1	○	○	○	Open collector	SCP with timer (latch)
		Ch 2	○	○	○		
Single	HA16114	—	—	○	○	Totem pole power MOS FET driver	Pulse-by-pulse current limiter and intermittent operation by on/off timer
	HA16120	—	○	—	—		
Dual	HA16116	Ch 1	—	○	○		
		Ch 2	—	○	—		
	HA16121	Ch 1	—	○	○		
		Ch 2	○	—	—		

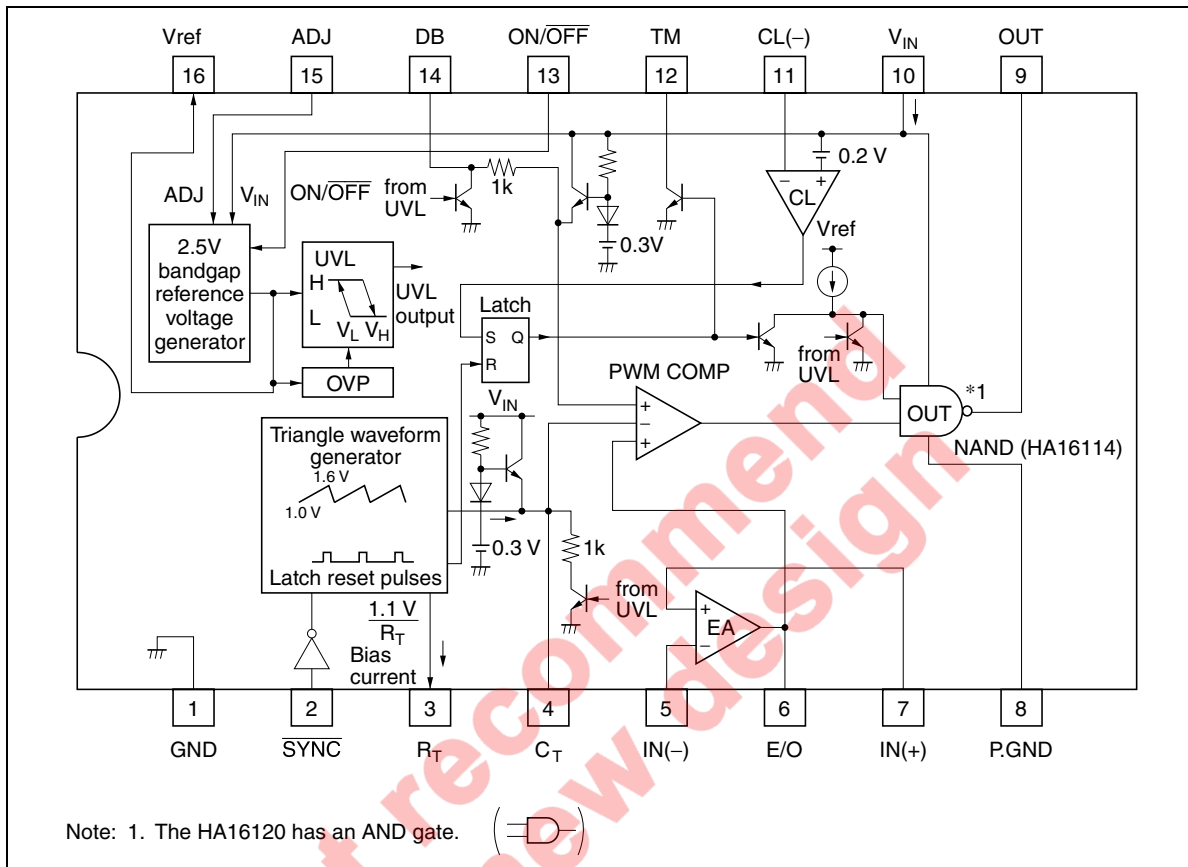
## Pin Arrangement



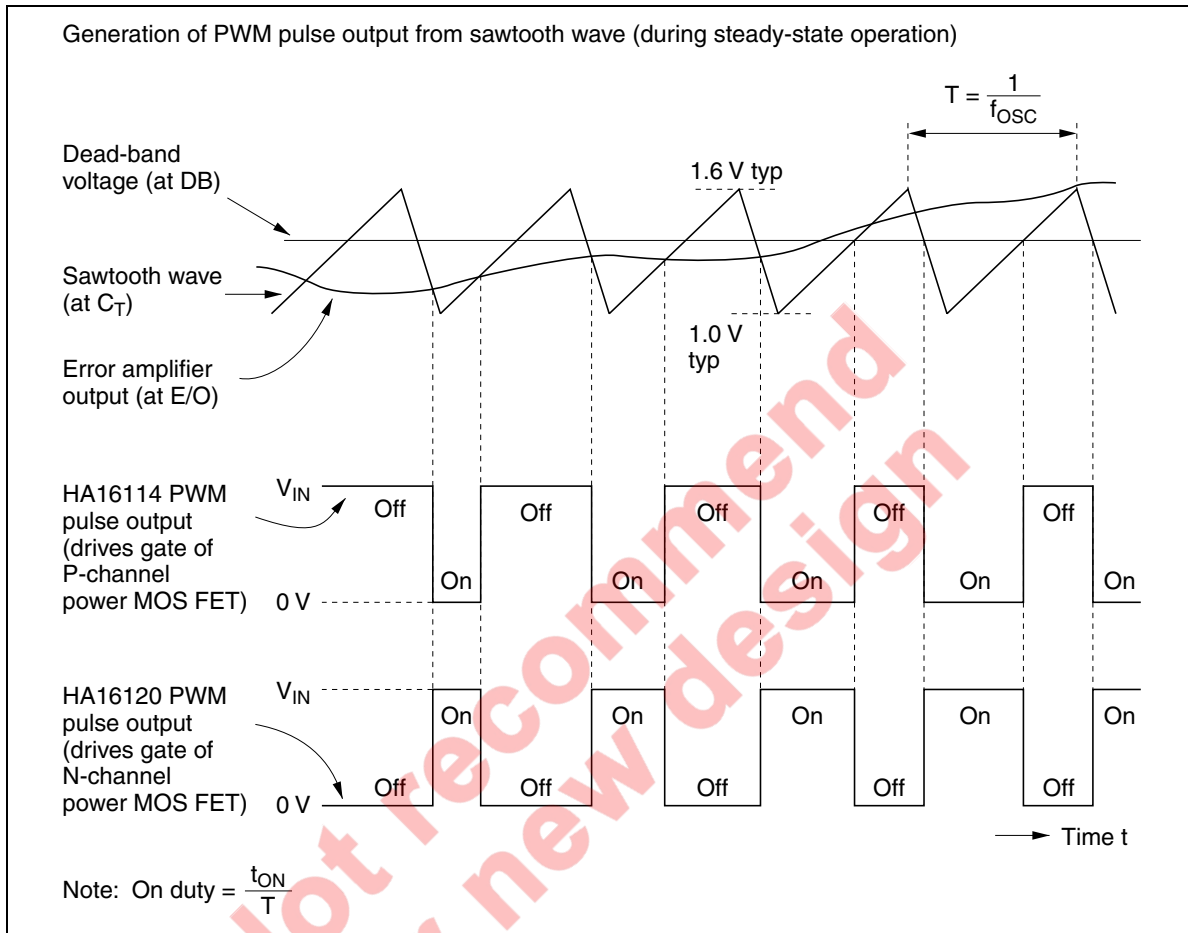
## Pin Description

Pin No.	Symbol	Function
1	GND	Signal ground
2	SYNC	External sync signal input (synchronized with falling edge)
3	$R_T$	Oscillator timing resistor connection (bias current control)
4	$C_T$	Oscillator timing capacitor connection (sawtooth voltage output)
5	IN(-)	Inverting input to error amplifier
6	E/O	Error amplifier output
7	IN(+)	Non-inverting input to error amplifier
8	P.GND	Power ground
9	OUT	Output (pulse output to gate of power MOS FET)
10	$V_{IN}$	Power supply input
11	CL(-)	Inverting input to current limiter
12	TM	Timer setting for intermittent shutdown when overcurrent is detected (sinks timer transistor current)
13	ON/OFF	IC on/off control (off below approximately 0.7 V)
14	DB	Dead-band duty cycle control input
15	ADJ	Reference voltage (Vref) adjustment input
16	Vref	2.5 V reference voltage output

Block Diagram

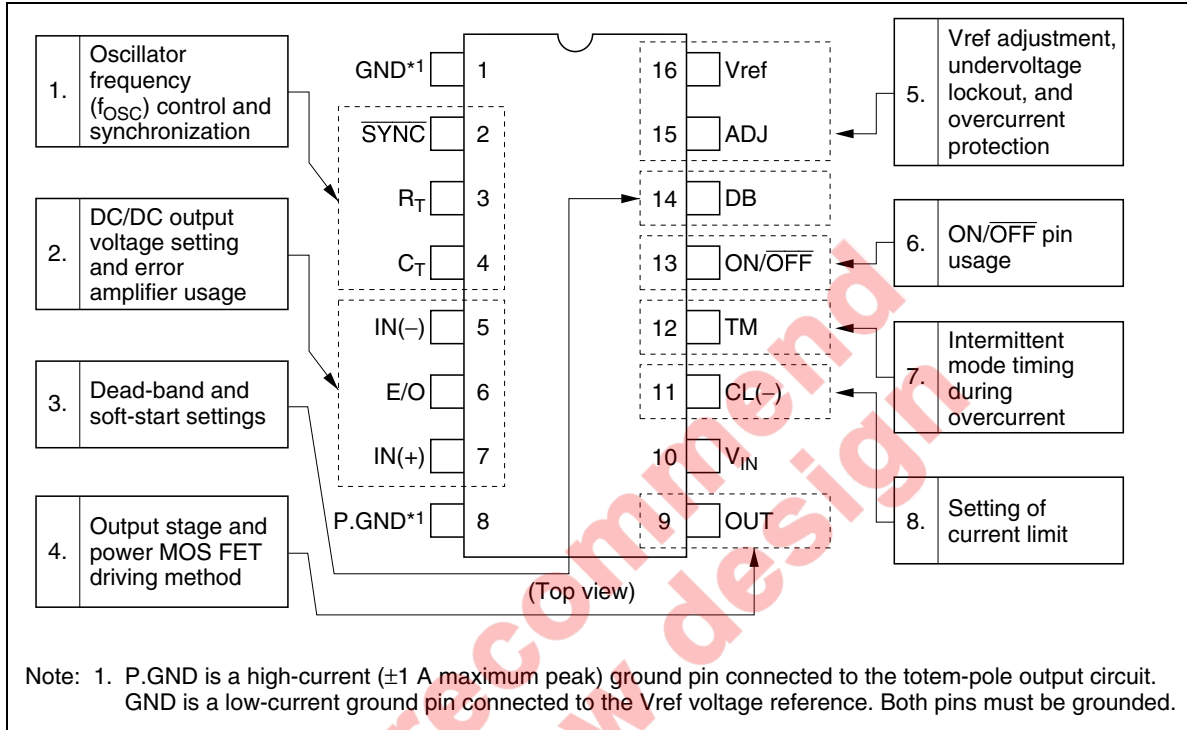


Timing Waveforms



## Guide to the Functional Description

The description covers the topics indicated below.



### 1. Sawtooth Oscillator (Triangle Wave)

#### 1.1 Operation and Frequency Control

The sawtooth wave is a voltage waveform from which the PWM pulses are created (See figure 1). The sawtooth oscillator operates as follows. A constant current  $I_0$  determined by an external timing resistor  $R_T$  is fed continuously to an external timing capacitor  $C_T$ . When the  $C_T$  pin voltage exceeds a comparator threshold voltage  $V_{TH}$ , the comparator output opens a switching transistor, allowing a  $3I_0$  discharge current to flow from  $C_T$ . When the  $C_T$  pin voltage drops below a threshold voltage  $V_{TL}$ , the comparator output closes the switching transistor, stopping the  $3I_0$  discharge. Repetition of these operations generates a sawtooth wave.

The value of  $I_0$  is  $1.1 \text{ V}/R_T \text{ } \Omega$ . The  $I_0$  current mirror has a limited current capacity, so  $R_T$  should be at least  $5 \text{ k}\Omega$  ( $I_0 \leq 220 \text{ } \mu\text{A}$ ).

Internal resistances  $R_A$ ,  $R_B$ , and  $R_C$  set the peak and valley voltages  $V_{TH}$  and  $V_{TL}$  of the sawtooth waveform at approximately  $1.6 \text{ V}$  and  $1.0 \text{ V}$ .



**HA16114P/PJ/FP/FPJ, HA16120FP/FPJ**

The oscillator frequency  $f_{osc}$  can be calculated as follows.

$$f_{osc} = \frac{1}{t_1 + t_2 + t_3}$$

Here,  $t_1 = \frac{C_T \times (V_H - V_L)}{1.1 \text{ V}/R_T}$

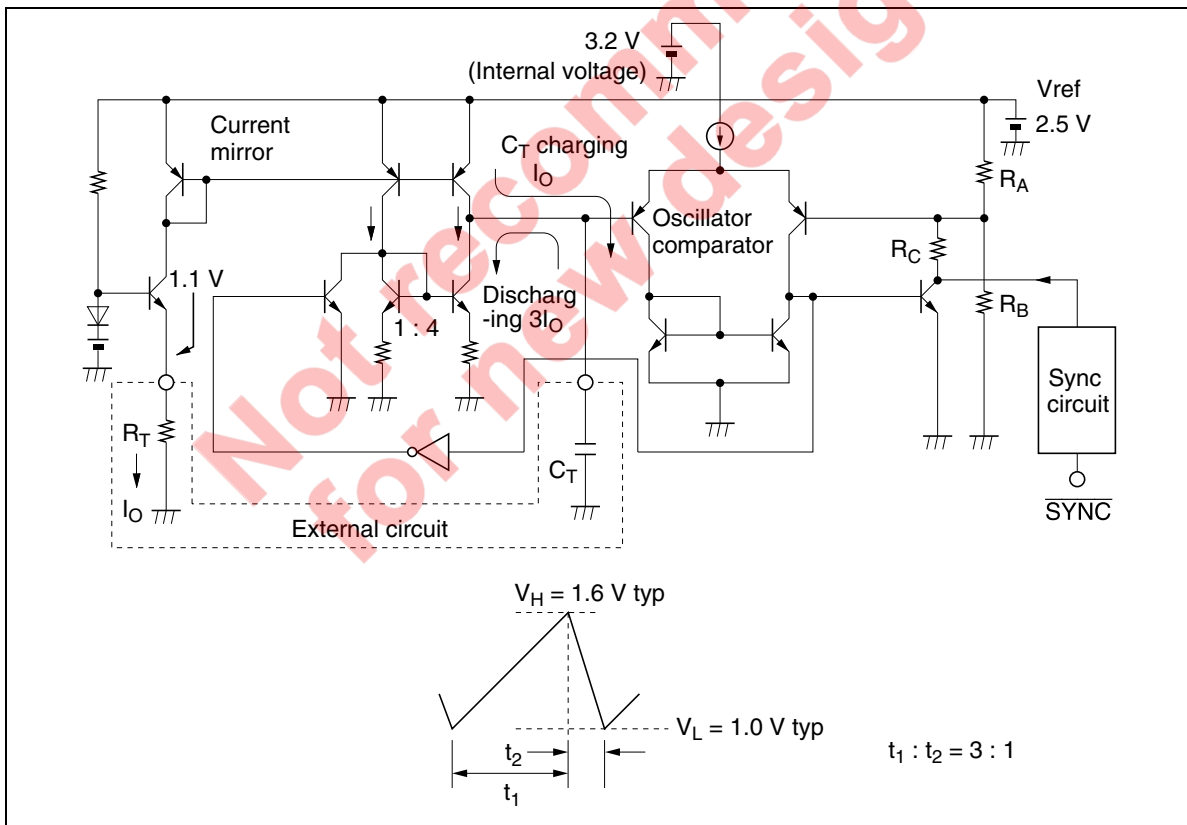
$$t_2 = \frac{C_T \times (V_H - V_L)}{3 \times 1.1 \text{ V}/R_T}$$

$$t_3 \approx 0.8 \mu\text{s} \text{ (comparator delay time)}$$

Since  $V_H - V_L = 0.6 \text{ V}$

$$f_{osc} \approx \frac{1}{0.73 \times C_T \times R_T + 0.8 (\mu\text{s})} \text{ (Hz)}$$

At high frequencies the comparator delay causes the sawtooth wave to overshoot the 1.6 V threshold and undershoot the 1.0 V threshold, and changes the dead-band thresholds accordingly. Select constants by testing under implementation conditions.



**Figure 1.1 Equivalent Circuit of Oscillator**

**1.2 External Synchronization**

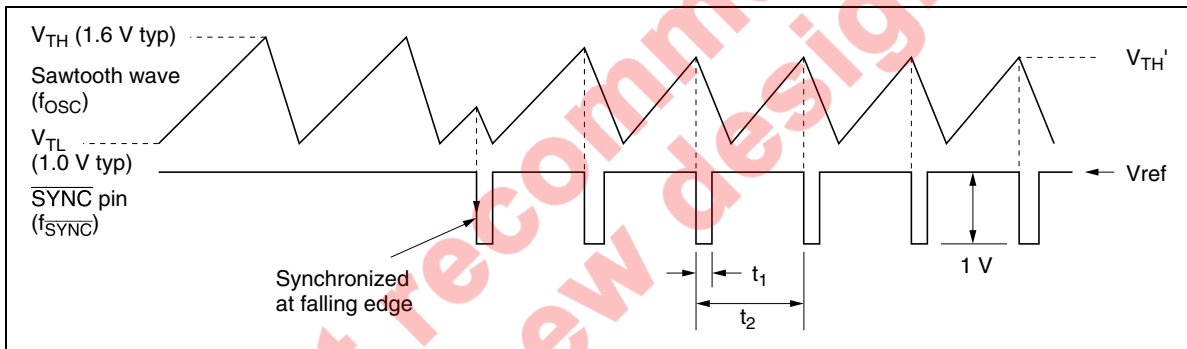
These ICs have a sync input pin so that they can be synchronized to a primary-control AC/DC converter. Pulses from the secondary winding of the switching transformer should be dropped through a resistor voltage divider to the sync input pin. Synchronization takes place at the falling edge, which is optimal for multiple-output power supplies that synchronize with a flyback AC/DC converter.

The sync input pin (SYNC) is connected internally through a synchronizing circuit to the sawtooth oscillator to synchronize the sawtooth waveform (see figure 1.2).

- Synchronization is with the falling edge of the external sync signal.
- The frequency of the external sync signal must be in the range  $f_{osc} < f_{SYNC} < f_{osc} \times 2$ .
- The duty cycle of the external sync signal must be in the range  $5\% < t_1/t_2 < 50\%$  ( $t_1 = 300 \text{ ns Min}$ ).
- With external synchronization,  $V_{TH}'$  can be calculated as follows.

$$V_{TH}' = (V_{TH} - V_{TL}) \times \frac{f_{osc}}{f_{SYNC}} + V_{TL}$$

Note: When not using external synchronization, connect the SYNC pin to the Vref pin.



**Figure 1.2 External Synchronization**

2. DC/DC Output Voltage Setting and Error Amplifier Usage

2.1 DC/DC Output Voltage Setting

1. Positive Output Voltage ( $V_o > V_{ref}$ )

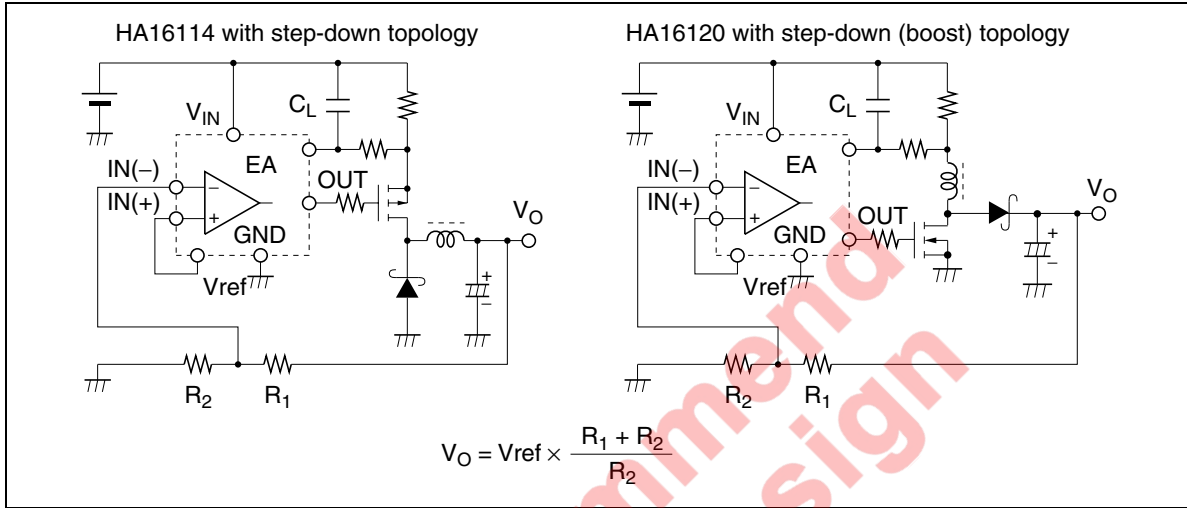


Figure 2.1 Output Voltage Setting (1)

2. Negative Output Voltage ( $V_o < 0$  V)

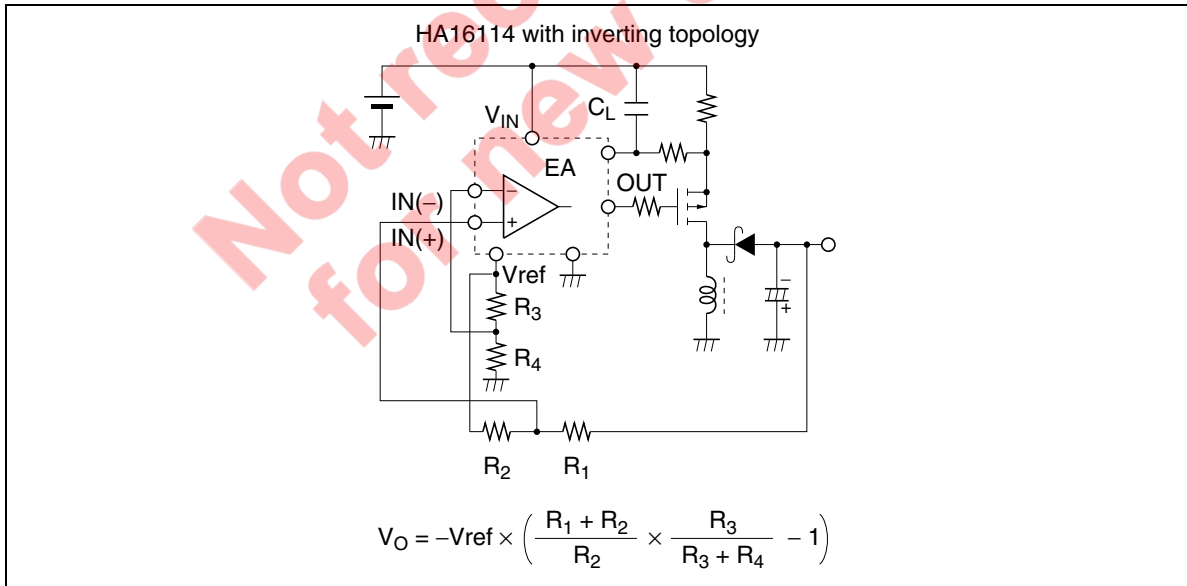
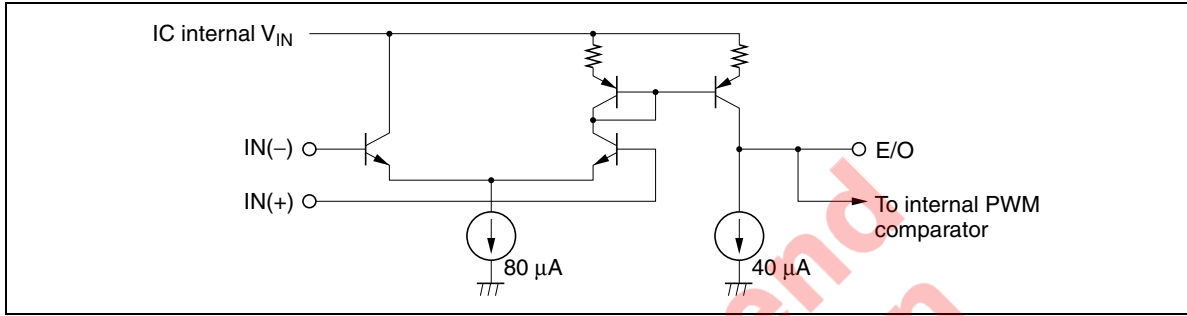


Figure 2.2 Output Voltage Setting (2)

**2.2 Error Amplifier Usage**

Figure 2.3 shows an equivalent circuit of the error amplifier. The error amplifier in these ICs is a simple NPN-transistor differential amplifier with a constant-current-driven output circuit.

The amplifier combines a wide bandwidth ( $f_T = 4 \text{ MHz}$ ) with a low open-loop gain (50 dB Typ), allowing stable feedback to be applied when the power supply is designed. Phase compensation is also easy.



**Figure 2.3 Error Amplifier Equivalent Circuit**

**3. Dead-Band Duty Cycle and Soft-Start Settings**

**3.1 Dead-Band Duty Cycle Setting**

The dead-band duty cycle (the maximum duty cycle of the PWM pulse output) can be programmed by the voltage  $V_{DB}$  at the DB pin. A convenient way to obtain  $V_{DB}$  is to divide the IC's  $V_{ref}$  output by two external resistors. The dead-band duty cycle (DB) and  $V_{DB}$  can be calculated as follows.

$$DB = \frac{V_{TH} - V_{DB}}{V_{TH} - V_{TL}} \times 100 (\%) \dots \text{This applies when } V_{DB} > V_{TL}.$$

If  $V_{DB} < V_{TL}$ , there is no PWM output.

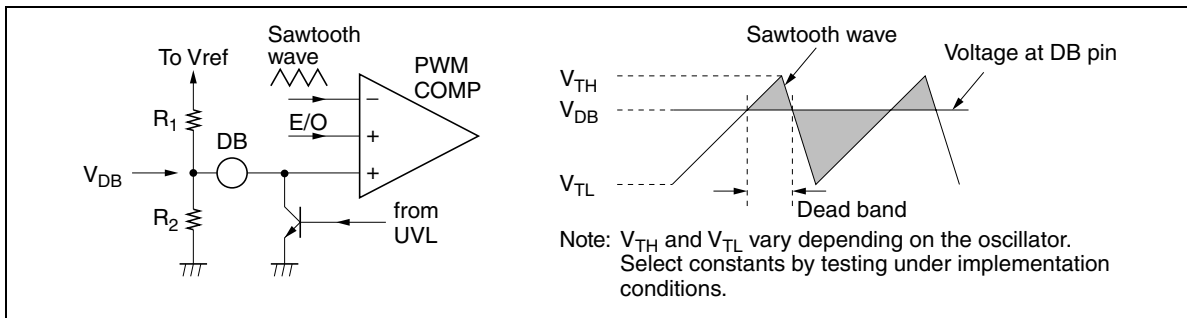
$$V_{DB} = V_{ref} \times \frac{R_2}{R_1 + R_2}$$

Note:  $V_{DB}$  is the voltage at the DB pin.

$V_{TH}$ : 1.6 V (Typ)

$V_{TL}$ : 1.0 V (Typ)

$V_{ref}$  is typically 2.5 V. Select  $R_1$  and  $R_2$  so that  $1.0 \text{ V} \leq V_{DB} \leq 1.6 \text{ V}$ .



**Figure 3.1 Dead-Band Duty Cycle Setting**

### 3.2 Soft-Start Setting

Soft-start avoids overshoot at power-up by widening the PWM output pulses gradually, so that the converted DC output rises slowly. Soft-start is programmed by connecting a capacitor between the DB pin and ground. The soft-start time is determined by the time constant of this capacitor and the resistors that set the voltage at the DB pin.

$$t_{\text{soft}} = -C_1 \times R \times \ln \left( 1 - \frac{V_x}{V_{\text{DB}}} \right)$$

$$R = \frac{R_1 \times R_2}{R_1 + R_2}$$

$$V_{\text{DB}} = V_{\text{ref}} \times \frac{R_2}{R_1 + R_2}$$

Note:  $V_x$  is the voltage at the DB pin after time  $t$  ( $V_x < V_{\text{DB}}$ ).

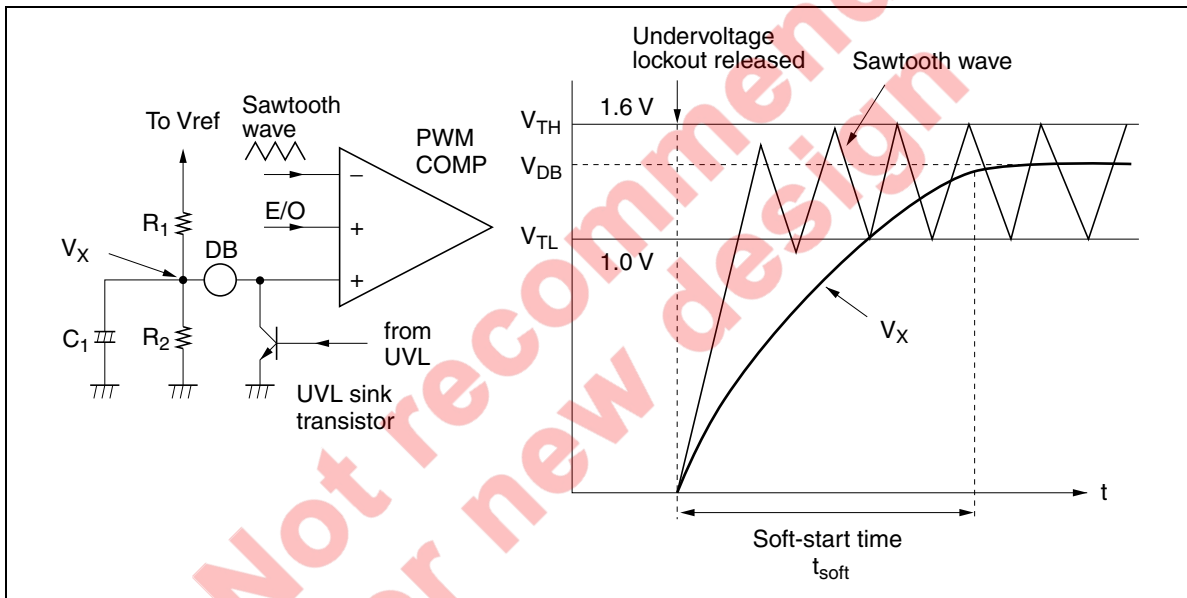


Figure 3.2 Soft-Start Setting

### 3.3 Quick Shutdown

The quick shutdown function resets the voltages at all pins when the IC is turned off, to assure that PWM pulse output stops quickly. Since the UVL pull-down resistor in the IC remains on even when the IC is turned off, the sawtooth wave output, error amplifier output, and DB pin are all reset to low voltage.

This feature helps in particular to discharge capacitor  $C_1$  in figure 3.2, which has a comparatively large capacitance. In intermittent mode (explained on a separate page), this feature enables the IC to soft-start in each on-off cycle.

#### 4. PWM Output Circuit and Power MOSFET Driving Method

These ICs have built-in totem-pole push-pull drive circuits that can drive a power MOS FET as shown in figure 4.1. The power MOS FET can be driven directly through a gate protection resistor.

If  $V_{IN}$  exceeds the gate breakdown voltage of the power MOS FET additional protective measures should be taken, e.g. by adding Zener diodes as shown in figure 4.2.

To drive a bipolar power transistor, the base should be protected by voltage and current dividing resistors as shown in figure 4.3.

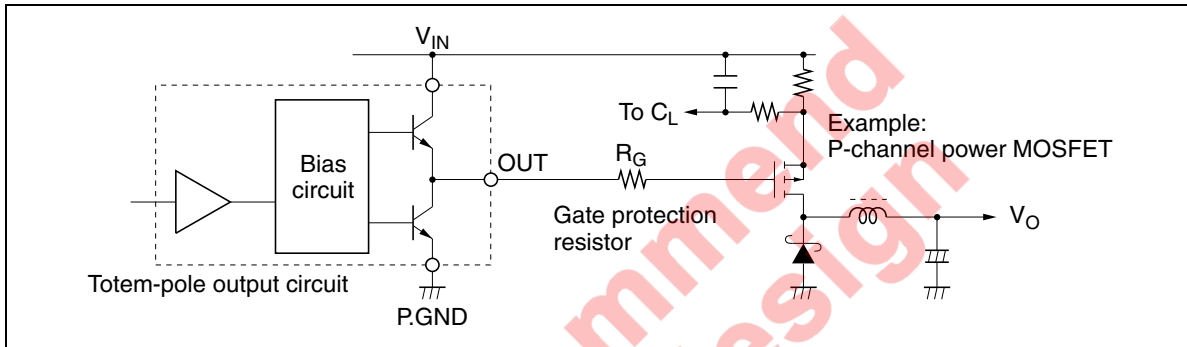


Figure 4.1 Connection of Output Stage to Power MOS FET

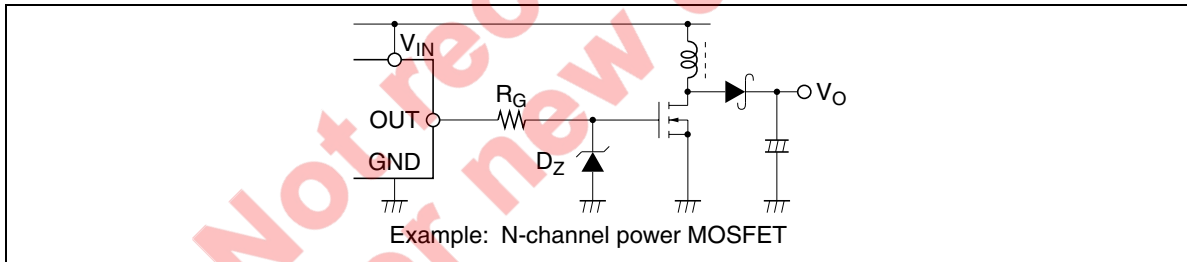


Figure 4.2 Gate Protection by Zener Diodes

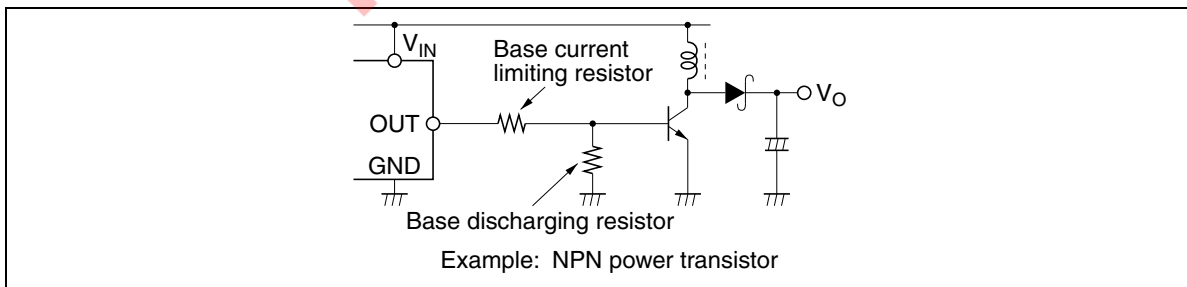


Figure 4.3 Driving a Bipolar Power Transistor

5. Voltage Reference (Vref = 2.5 V)

5.1 Voltage Reference

A bandgap reference built into the IC (see figure 5.1) outputs 2.5 V ± 50 mV. The sawtooth oscillator, PWM comparator, latch, and other internal circuits are powered by this 2.5 V and an internally-generated voltage of approximately 3.2 V.

The voltage reference section shut downs when the IC is turned off at the ON/OFF pin as described later, saving current when the IC is not used and when it operates in intermittent mode during overcurrent.

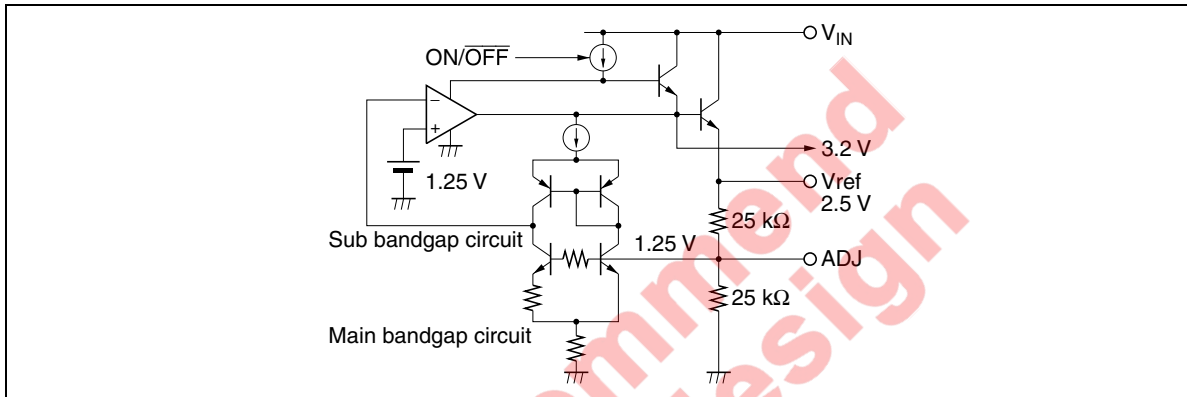


Figure 5.1 Vref Reference Circuit

5.2 Trimming the Reference Voltage (Vref and ADJ pins)

Figure 5.2 shows a simplified circuit equivalent to figure 5.1. The ADJ pin in this circuit is provided for trimming the reference voltage (Vref). The output at the ADJ pin is a voltage  $V_{ADJ}$  of 1.25 V (Typ) generated by the bandgap circuit. Vref is determined by  $V_{ADJ}$  and the ratio of internal resistors  $R_1$  and  $R_2$  as follows:

$$V_{ref} = V_{ADJ} \times \frac{R_1 + R_2}{R_2}$$

The design values of  $R_1$  and  $R_2$  are 25 kΩ with a tolerance of ±25%.

If trimming is not performed, the ADJ pin open can be left open.

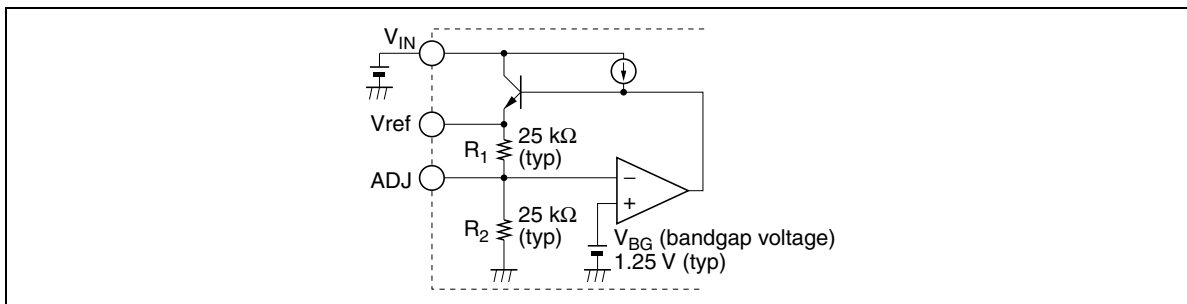


Figure 5.2 Simplified Diagram of Voltage Reference Circuit

The relation between Vref and the ADJ pin enables Vref to be trimmed by inserting one external resistor (R<sub>3</sub>) between the Vref and ADJ pins and another (R<sub>4</sub>) between the ADJ pin and ground, to change the resistance ratio. Vref is then determined by the combined resistance ratio of the internal R<sub>1</sub> and R<sub>2</sub> and external R<sub>3</sub> and R<sub>4</sub>.

$$V_{ref} = V_{ADJ} \times \frac{R_A + R_B}{R_B}$$

Where, R<sub>A</sub>: parallel resistance of R<sub>1</sub> and R<sub>3</sub>

R<sub>B</sub>: parallel resistance of R<sub>2</sub> and R<sub>4</sub>

Although Vref can be trimmed by R<sub>3</sub> or R<sub>4</sub> alone, to decrease the temperature dependence of Vref it is better to use two resistors having identical temperature coefficients. Vref can be trimmed in the range of 2.5 V ± 0.2 V. Outside this range, the bandgap circuit will not operate and the IC may shut down.

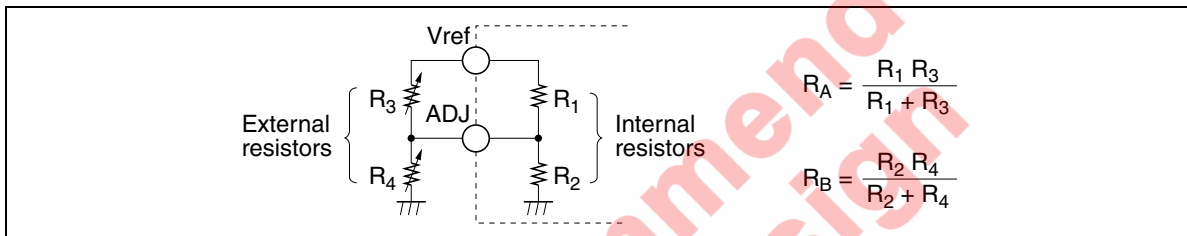


Figure 5.3 Trimming of Reference Voltage

### 5.3 Vref Undervoltage Lockout and Overvoltage Protection

The undervoltage lockout (UVL) function turns off PWM pulse output when the input voltage (V<sub>IN</sub>) is low. In these ICs, this is done by monitoring the Vref voltage, which normally stays constant at approximately 2.5 V. The UVL circuit operates with hysteresis: it shuts PWM output off when Vref falls below 1.7 V, and turns PWM output back on when Vref rises above 2.0 V. Undervoltage lockout also provides protection in the event that Vref is shorted to ground.

The overvoltage protection circuit shuts PWM output off when Vref goes above 6.8 V. This provides protection in case the Vref pin is shorted to V<sub>IN</sub> or another high-voltage source.

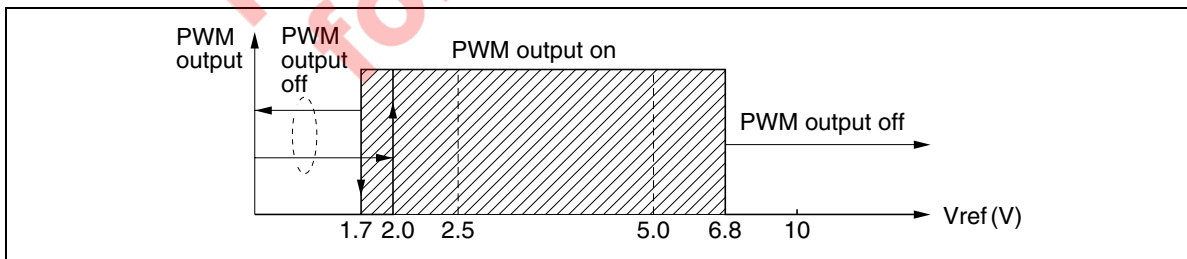


Figure 5.4 Vref Undervoltage Lockout and Overvoltage Protection

UVL Voltage	Vref (V typ)	V <sub>IN</sub> (V typ)	Description
V <sub>H</sub>	2.0 V	3.6 V	V <sub>IN</sub> increasing: UVL releases; PWM output starts
V <sub>L</sub>	1.7 V	3.3 V	V <sub>IN</sub> decreasing: undervoltage lockout; PWM output stops



## 6. Usage of ON/OFF Pin

This pin is used for the following purposes:

- To shut down the IC while its input power remains on (power management)
- To externally alter the UVL release voltage
- With the timer (TM) pin, to operate in intermittent mode during overcurrent (see next section)

### 6.1 Shutdown by ON/OFF Pin Control

The IC can be shut down safely by bringing the voltage at the ON/OFF pin below about 0.7 V (the internal VBE value). This feature can be used in power supply systems to save power. When shut down, the HA16114 draws a maximum current ( $I_{OFF}$ ) of 10  $\mu$ A, while the HA16120 draws a maximum 150  $\mu$ A. The ON/OFF pin sinks 290  $\mu$ A (Typ) at 5 V, so it can be driven by TTL and other logic ICs. If intermittent mode will also be employed, use a logic IC with an open-collector or open-drain output.

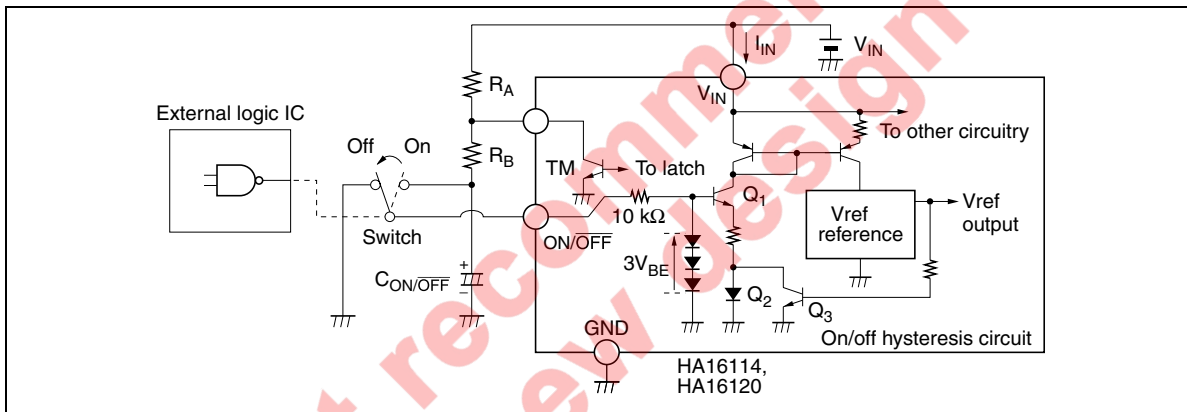


Figure 6.1 Shutdown by ON/OFF Pin Control

### 6.2 Adjustment of UVL Voltages (when not using intermittent mode)

These ICs permit external adjustment of the undervoltage lockout voltages. The adjustment is made by changing the undervoltage lockout thresholds  $V_{TH}$  and  $V_{TL}$  relative to  $V_{IN}$ , using the relationships shown in the accompanying diagrams.

When the IC is powered up, transistor  $Q_3$  is off, so  $V_{ON}$  is  $2V_{BE}$ , or about 1.4 V. Connection of resistors  $R_C$  and  $R_D$  in the diagram makes undervoltage lockout release at:

$$V_{IN} = 1.4 \text{ V} \times \frac{R_C + R_D}{R_D}$$

This  $V_{IN}$  is the supply voltage at which undervoltage lockout is released. At the release point  $V_{ref}$  is still below 2.5 V. To obtain  $V_{ref} = 2.5 \text{ V}$ ,  $V_{IN}$  must be at least about 4.3 V.

Since  $V_{ON/OFF}$  operates in relation to the base-emitter voltage of internal transistors,  $V_{ON}$  has a temperature coefficient of approximately  $-4 \text{ mV}/^\circ\text{C}$ . Keep this in mind when designing the power supply unit.

When undervoltage lockout and intermittent mode are both used, the intermittent-mode time constant is shortened, so the constants of external components may have to be altered.

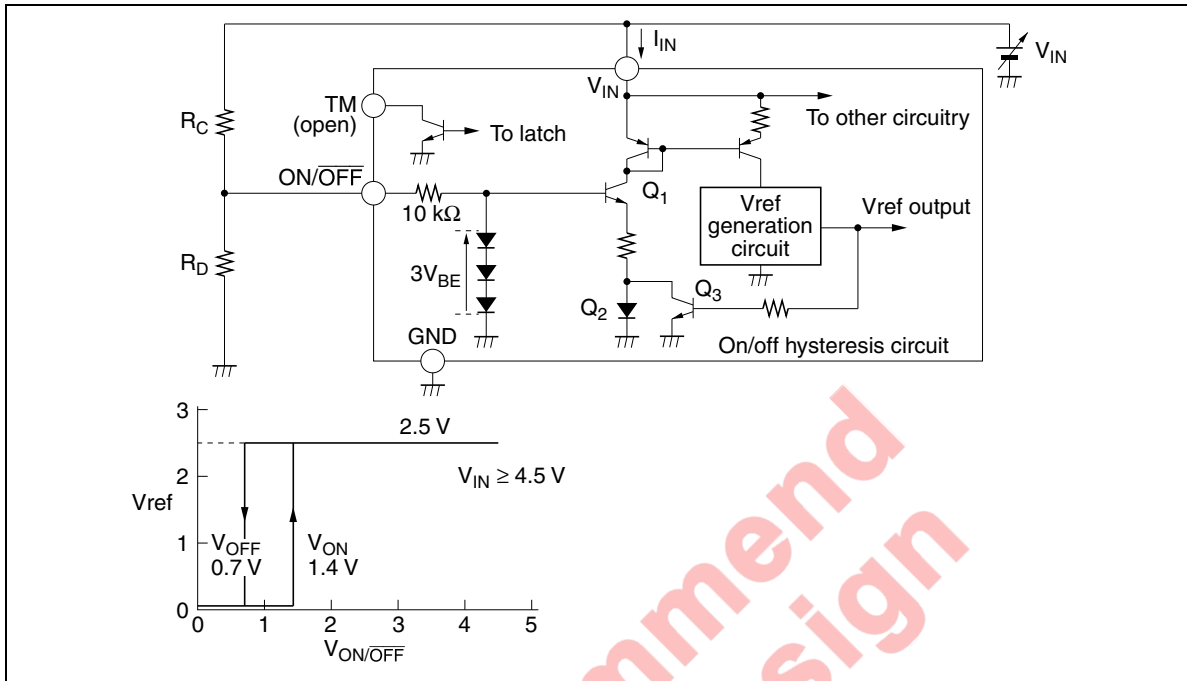


Figure 6.2 Adjustment of UVL Voltages

## 7. Timing of Intermittent Mode during Overcurrent

### 7.1 Principle of Operation

These ICs provide pulse-by-pulse overcurrent protection by sensing the current during each pulse and shutting off the pulse if overcurrent is detected. In addition, the TM and ON/OFF pins can be used to operate the IC in intermittent mode if the overcurrent state continues. A power supply with sharp settling characteristics can be designed in this way.

Intermittent mode operates by making use of the hysteresis of the ON/OFF pin threshold voltages  $V_{ON}$  and  $V_{OFF}$  ( $V_{ON} - V_{OFF} = V_{BE}$ ). The timing can be programmed as explained below.

When not using intermittent mode, leave the TM pin open, and pull the ON/OFF pin up to  $V_{ON}$  or higher. The  $V_{BE}$  is base emitter voltage of internal transistors.

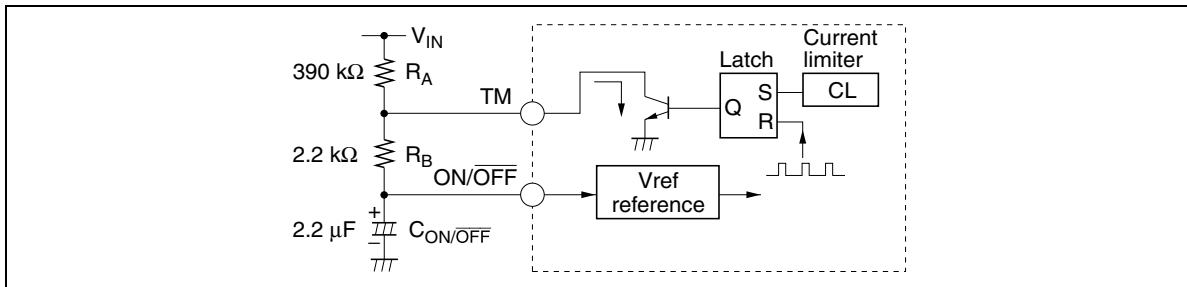


Figure 7.1 Connection Diagram (example)

7.2 Intermittent Mode Timing Diagram (V<sub>ON/OFF</sub> only)

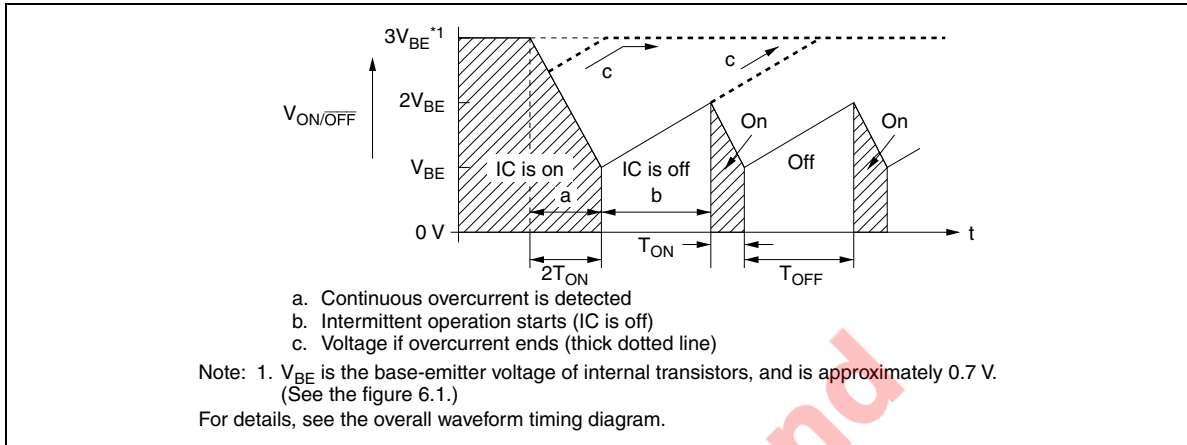


Figure 7.2 Intermittent Mode Timing Diagram (V<sub>ON/OFF</sub> only)

7.3 Calculation of Intermittent Mode Timing

Intermittent mode timing is calculated as follows.

(1) T<sub>ON</sub> (time until the IC shuts off when continuous overcurrent occurs)

$$T_{ON} = C_{ON/OFF} \times R_B \times \ln \left( \frac{2V_{BE}}{V_{BE}} \right) \times \left( \frac{1}{1 - \text{On duty}^*} \right)$$

$$= C_{ON/OFF} \times R_B \times \ln 2 \times \left( \frac{1}{1 - \text{On duty}^*} \right)$$

$$\approx 0.69 \times C_{ON/OFF} \times R_B \times \left( \frac{1}{1 - \text{On duty}^*} \right)$$

(2) T<sub>OFF</sub> (time from when the IC shuts off until it next turns on)

$$T_{OFF} = C_{ON/OFF} \times (R_A + R_B) \times \ln \left( \frac{V_{IN} - V_{BE}}{V_{IN} - 2V_{BE}} \right)$$

Where V<sub>BE</sub> ≈ 0.7 V

The greater the overload, the sooner the pulse-by-pulse current limiter operates, the smaller t<sub>ON</sub> becomes, and from the first equation (1) above, the smaller T<sub>ON</sub> becomes. From the second equation (2), T<sub>OFF</sub> depends on V<sub>IN</sub>. Note that with the connections shown in the diagram, when V<sub>IN</sub> is switched on the IC does not turn on until T<sub>OFF</sub> has elapsed.

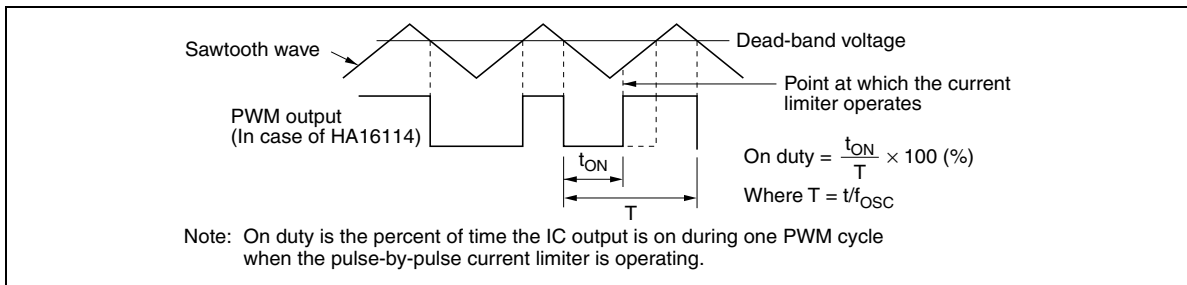


Figure 7.3

7.4 Examples of Intermittent Mode Timing (calculated values)

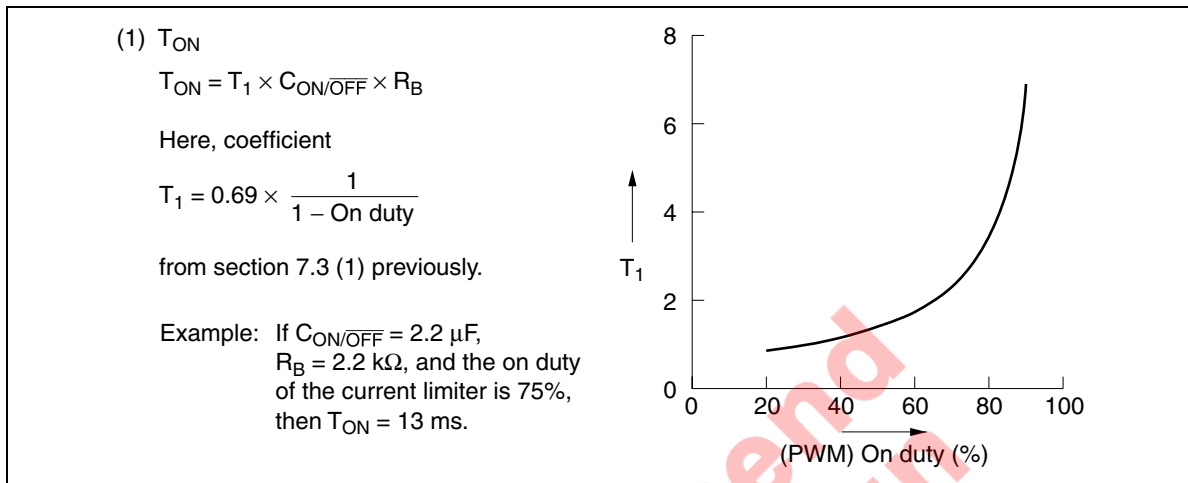


Figure 7.4 Examples of Intermittent Mode Timing (1)

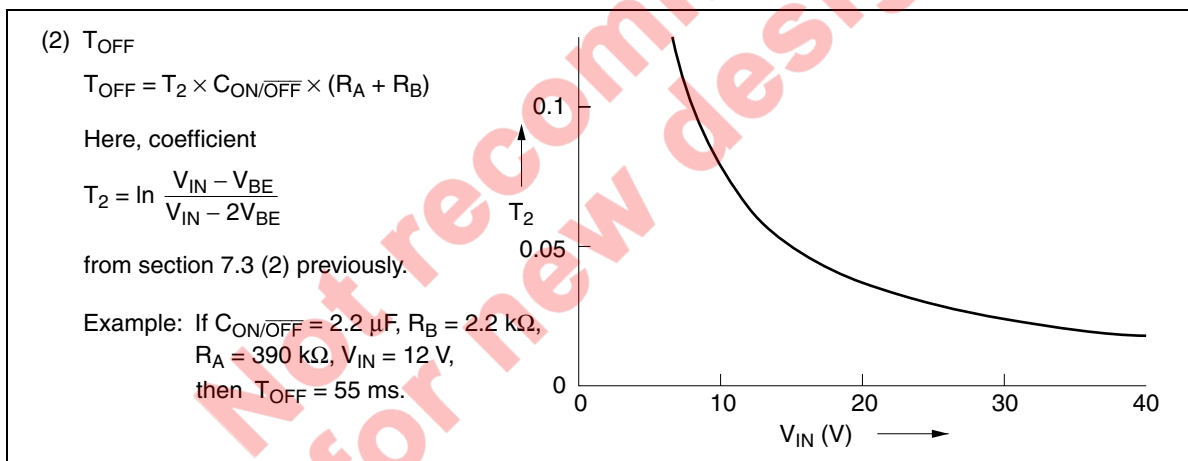


Figure 7.5 Examples of Intermittent Mode Timing (2)

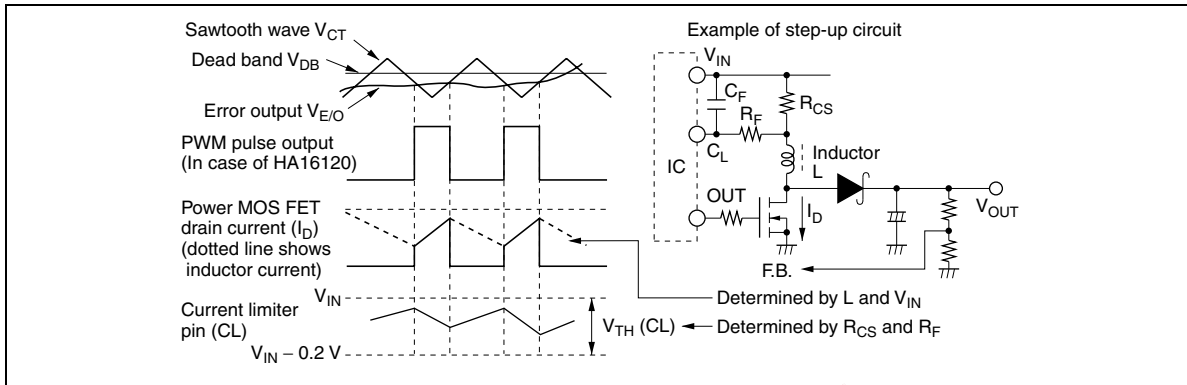


Figure 7.6

### 8. Setting the Overcurrent Detection Threshold

The voltage drop  $V_{TH}$  at which overcurrent is detected in these ICs is typically 0.2 V. The bias current is typically 200  $\mu A$ . The power MOS FET peak current value before the current limiter goes into operation is given as follows.

$$I_D = \frac{V_{TH} - (R_F + R_{CS}) \times I_{BCL}}{R_{CS}}$$

Where,  $V_{TH} = V_{IN} - V_{CL} = 0.2 V$ ,  $V_{CL}$  is a voltage referred on GND.

Note that  $R_F$  and  $C_F$  form a low-pass filter with a cutoff frequency determined by their RC time constant. This filter prevents incorrect operation due to current spikes when the power MOS FET is switched on or off.

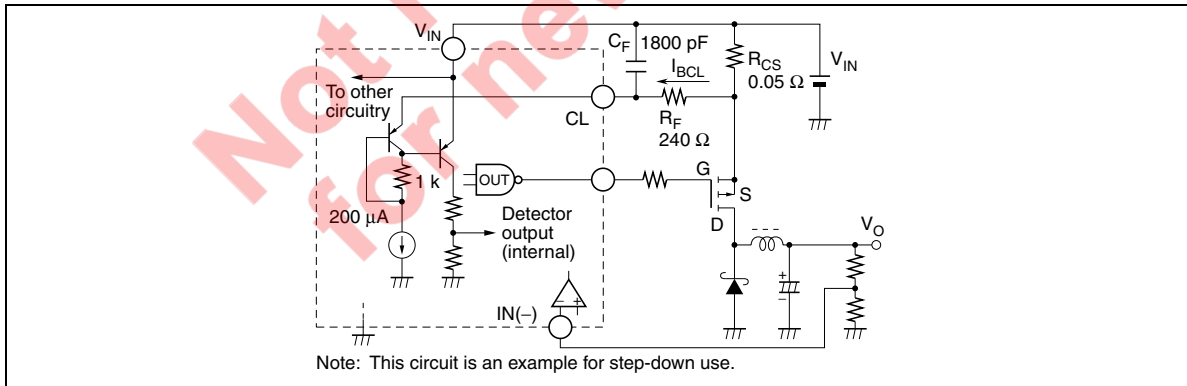


Figure 8.1 Example for Step-Down Use

With the values shown in the diagram, the peak current is:

$$I_D = \frac{0.2 V - (240 \Omega + 0.05 \Omega) \times 200 \mu A}{0.05 \Omega} = 3.04 A$$

The filter cutoff frequency is calculated as follows:

$$f_C = \frac{1}{2\pi C_F R_F} = \frac{1}{6.28 \times 1800 pF \times 240 \Omega} = 370 kHz$$

### Absolute Maximum Ratings

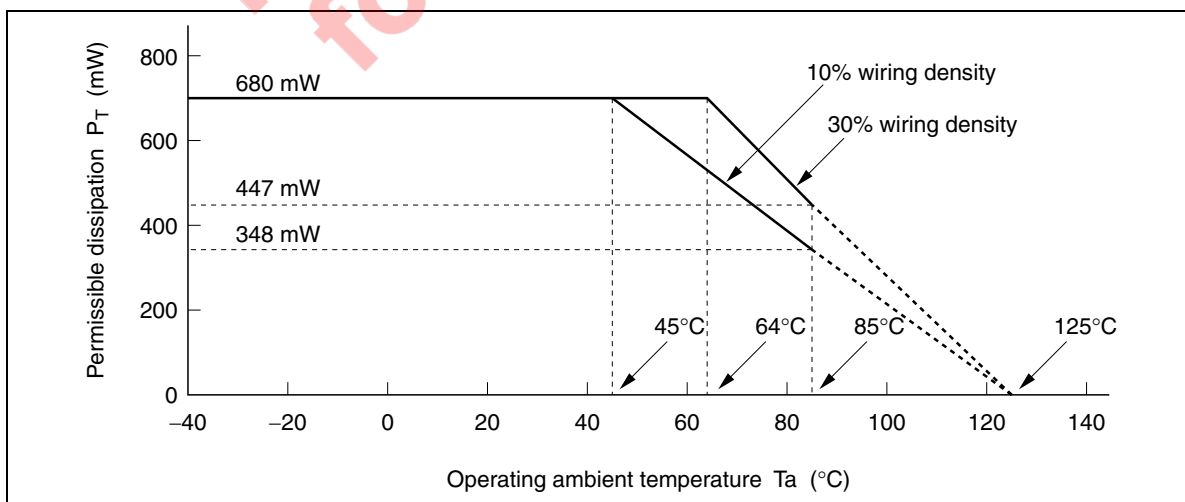
(Ta = 25°C)

Item	Symbol	Rating		Unit
		HA16114P/FP, HA16120FP	HA16114PJ/FPJ, HA16120FPJ	
Supply voltage	$V_{IN}$	40	40	V
Output current (DC)	$I_O$	±0.1	±0.1	A
Output current (peak)	$I_{O \text{ peak}}$	±1.0	±1.0	A
Current limiter input voltage	$V_{CL}$	$V_{IN}$	$V_{IN}$	V
Error amplifier input voltage	$V_{IEA}$	$V_{IN}$	$V_{IN}$	V
E/O input voltage	$V_{IE/O}$	Vref	Vref	V
RT source current	$I_{RT}$	500	500	μA
TM sink current	$I_{TM}$	3	3	mA
SYNC voltage	$V_{SYNC}$	Vref	Vref	V
SYNC current	$I_{SYNC}$	±250	±250	μA
Power dissipation	$P_T$	680 <sup>*1, *2</sup>	680 <sup>*1, *2</sup>	mW
Operating temperature	Topr	-40 to +85	-40 to +85	°C
Junction temperature	TjMax	125	125	°C
Storage temperature	Tstg	-55 to +125	-55 to +125	°C

Notes: 1. This value is for an SOP package (FP) and is based on actual measurements on a 40 × 40 × 1.6 mm glass epoxy circuit board. With a 10% wiring density, this value is permissible up to Ta = 45°C and should be derated by 8.3 mW/°C at higher temperatures. With a 30% wiring density, this value is permissible up to Ta = 64°C and should be derated by 11.1 mW/°C at higher temperatures.

2. For the DIP package. (P)

This value applies up to Ta = 45°C; at temperatures above this, 8.3 mW/°C derating should be applied.

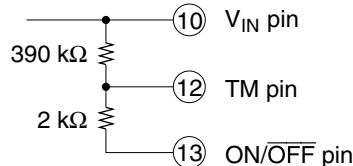


**Electrical Characteristics**

(Ta = 25°C, VIN = 12 V, fOSC = 100 kHz)

Item	Symbol	Min	Typ	Max	Unit	Test Conditions	Notes	
Voltage reference section	Output voltage	Vref	2.45	2.50	2.55	V	I <sub>o</sub> = 1 mA	
	Line regulation	Line	—	2	60	mV	4.5 V ≤ VIN ≤ 40V	1
	Load regulation	Load	—	30	60	mV	0 ≤ I <sub>o</sub> ≤ 10 mA	
	Short-circuit output current	I <sub>os</sub>	10	24	—	mA	Vref = 0 V	
	Vref overvoltage protection threshold	Vrov <sub>p</sub>	6.2	6.8	7.4	V		
	Temperature stability of output voltage	ΔVref/ΔTa	—	100	—	ppm/°C		
	Vref adjustment voltage	V <sub>ADJ</sub>	1.225	1.25	1.275	V		
Sawtooth oscillator section	Maximum frequency	fmax	600	—	—	kHz		
	Minimum frequency	fmin	—	—	1	Hz		
	Frequency stability with input voltage	Δf/f <sub>01</sub>	—	±1	±3	%	4.5 V ≤ VIN ≤ 40 V (f <sub>01</sub> = (fmax + fmin)/2)	
	Frequency stability with temperature	Δf/f <sub>02</sub>	—	±5	—	%	-20°C ≤ Ta ≤ 85°C (f <sub>02</sub> = (fmax + fmin)/2)	
	Oscillator frequency	f <sub>OSC</sub>	90	100	110	kHz	R <sub>T</sub> = 10 kΩ C <sub>T</sub> = 1300 pF	
Dead-band adjustment section	Low level threshold voltage	V <sub>TL</sub>	0.9	1.0	1.1	V	Output duty cycle: 0% on	
	High level threshold voltage	V <sub>TH</sub>	1.5	1.6	1.7	V	Output duty cycle: 100% on	
	Threshold difference	ΔV <sub>TH</sub>	0.5	0.6	0.7	V	ΔV <sub>TH</sub> = V <sub>TH</sub> - V <sub>TL</sub>	
	Output source current	I <sub>source</sub>	170	250	330	μA	DB pin: 0 V	
PWM comparator section	Low level threshold voltage	V <sub>TL</sub>	0.9	1.0	1.1	V	Output duty cycle: 0% on	
	High level threshold voltage	V <sub>TH</sub>	1.5	1.6	1.7	V	Output duty cycle: 100% on	
	Threshold difference	ΔV <sub>TH</sub>	0.5	0.6	0.7	V	ΔV <sub>TH</sub> = V <sub>TH</sub> - V <sub>TL</sub>	

Note: 1. Resistors connected to ON/OFF pin:



## HA16114P/PJ/FP/FPJ, HA16120FP/FPJ

### Electrical Characteristics (cont.)

( $T_a = 25^\circ\text{C}$ ,  $V_{IN} = 12\text{ V}$ ,  $f_{OSC} = 100\text{ kHz}$ )

Item		Symbol	Min	Typ	Max	Unit	Test Conditions	Notes
Error amplifier section	Input offset voltage	$V_{IO}$	—	2	10	mV		
	Input bias current	$I_B$	—	0.5	2.0	$\mu\text{A}$		
	Output sink current	$I_{O\text{sink}}$	28	40	52	$\mu\text{A}$	$V_O = 2.5\text{ V}$	
	Output source current	$I_{O\text{source}}$	28	40	52	$\mu\text{A}$	$V_O = 1.0\text{ V}$	
	Common-mode input voltage range	$V_{CM}$	1.1	—	3.7	V		
	Voltage gain	$A_V$	40	50	—	dB	$f = 10\text{ kHz}$	
	Unity gain bandwidth	BW	—	4	—	MHz		
	High level output voltage	$V_{OH}$	3.5	4.0	—	V	$I_O = 10\ \mu\text{A}$	
	Low level output voltage	$V_{OL}$	—	0.2	0.5	V	$I_O = 10\ \mu\text{A}$	
Overcurrent detection section	Threshold voltage	$V_{TH}$	$V_{IN}-0.22$	$V_{IN}-0.2$	$V_{IN}-0.18$	V		
	CL(-) bias current	$I_{BCL(-)}$	140	200	260	$\mu\text{A}$	$CL(-) = V_{IN}$	
	Turn-off time	$t_{OFF}$	—	200	300	ns		1
			—	500	600	ns		2
UVL section	Vref high level threshold voltage	$V_{TH}$	1.7	2.0	2.3	V		
	Vref low level threshold voltage	$V_{TL}$	1.4	1.7	2.0	V		
	Threshold difference	$\Delta V_{TH}$	0.1	0.3	0.5	V	$\Delta V_{TH} = V_{TH} - V_{TL}$	
	VIN high level threshold voltage	$V_{INH}$	3.3	3.6	3.9	V		
	VIN low level threshold voltage	$V_{INL}$	3.0	3.3	3.6	V		

Notes: 1. HA16114 only.  
2. HA16120 only.

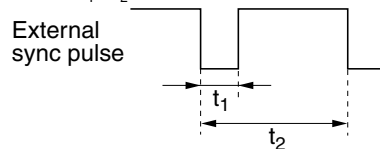


**Electrical Characteristics (cont.)**

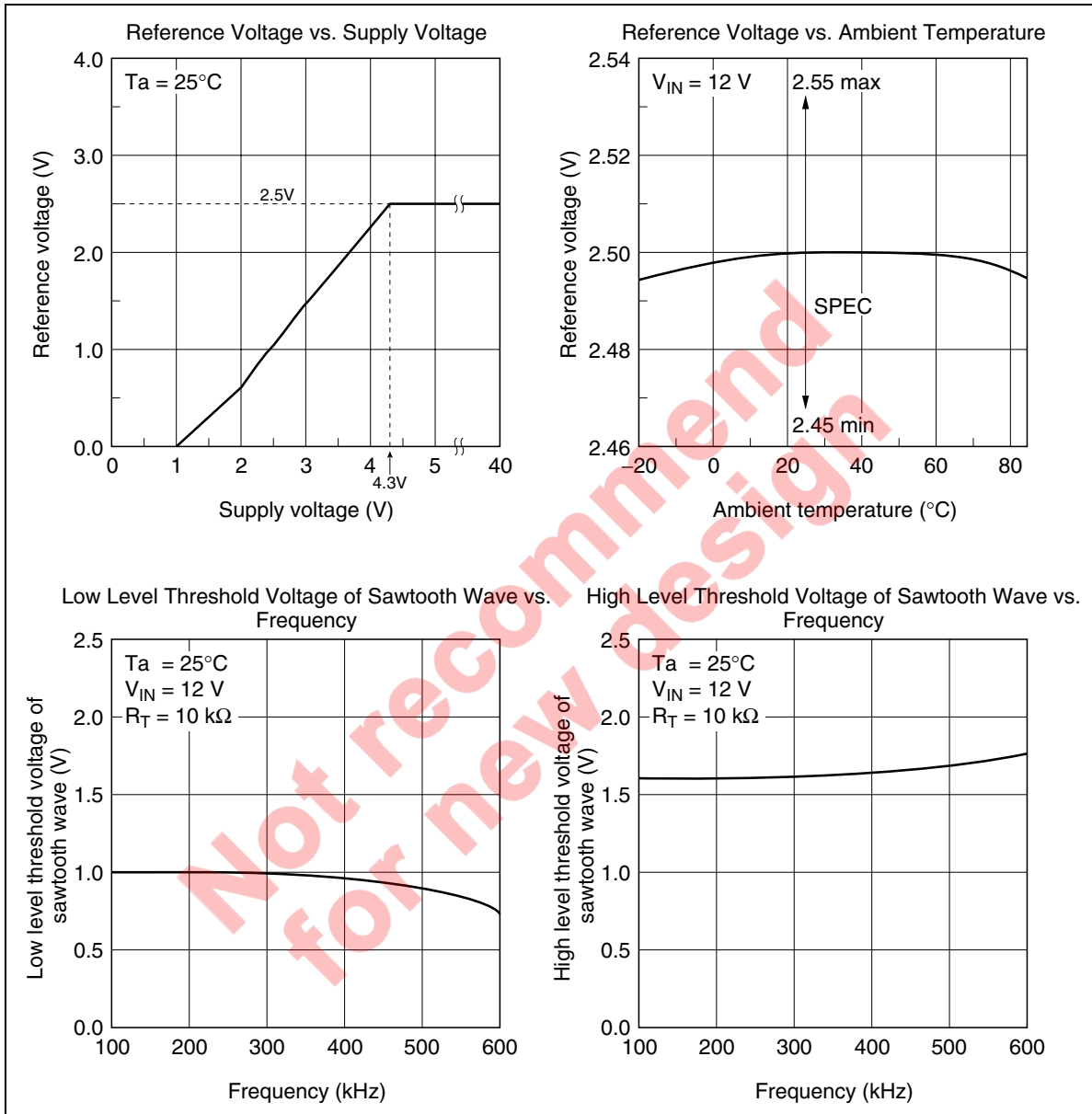
 (Ta = 25°C, V<sub>IN</sub> = 12 V, f<sub>OSC</sub> = 100 kHz)

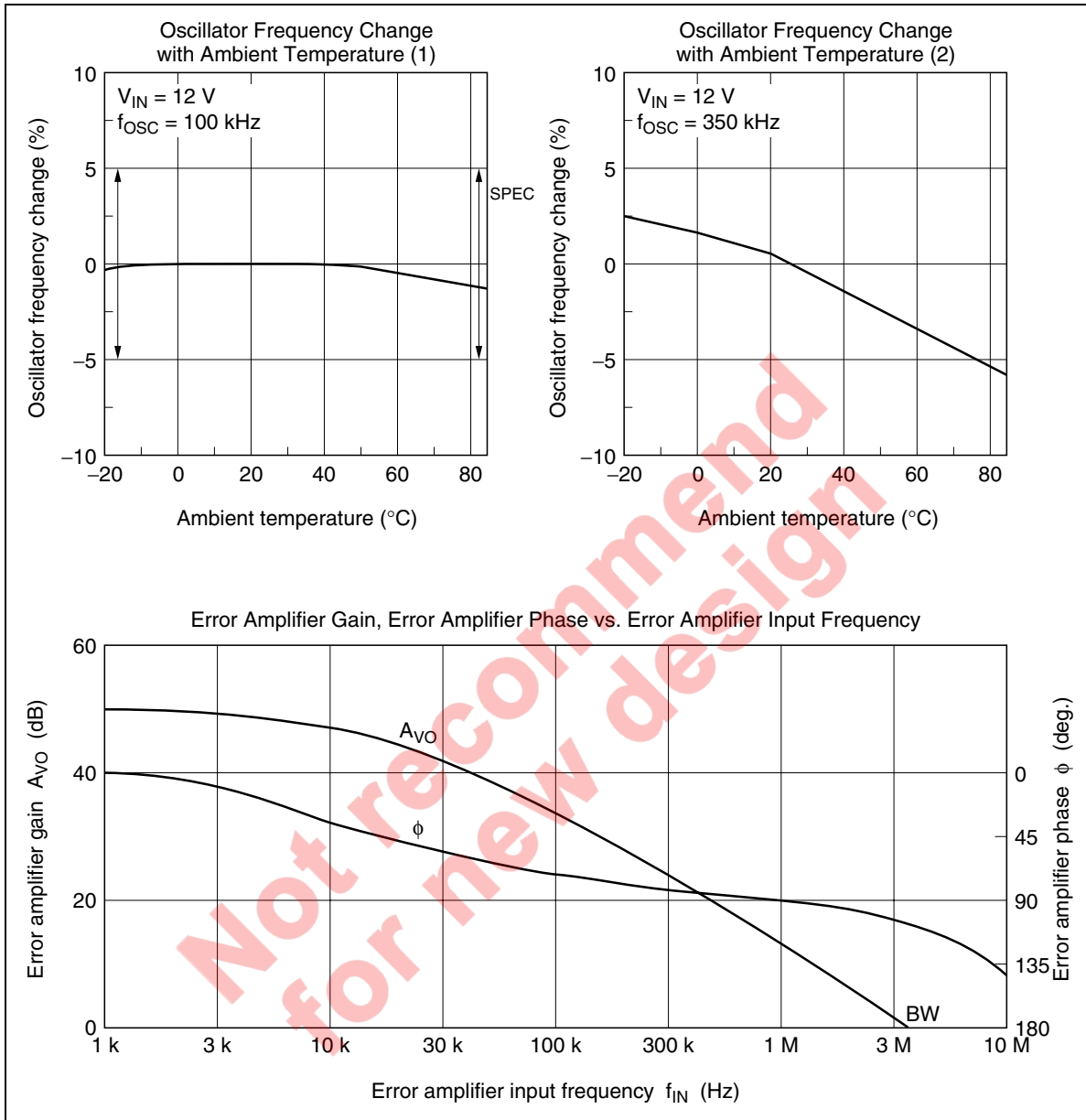
Item	Symbol	Min	Typ	Max	Unit	Test Conditions	Notes	
Output stage	Output low voltage	V <sub>OL</sub>	—	0.9	1.5	V	I <sub>Osink</sub> = 10 mA	
	Output high voltage	V <sub>OH1</sub>	V <sub>IN</sub> -2.2	V <sub>IN</sub> -1.6	—	V	I <sub>Osource</sub> = 10 mA	
	High voltage when off	V <sub>OH2</sub>	V <sub>IN</sub> -2.2	V <sub>IN</sub> -1.6	—	V	I <sub>Osource</sub> = 1 mA ON/OFF pin: 0 V	1
	Low voltage when off	V <sub>OL2</sub>	—	0.9	1.5	V	I <sub>Osink</sub> = 1 mA ON/OFF pin: 0 V	2
	Rise time	t <sub>r</sub>	—	50	200	ns	C <sub>L</sub> = 1000 pF	
	Fall time	t <sub>f</sub>	—	50	200	ns	C <sub>L</sub> = 1000 pF	
External sync section	SYNC source current	I <sub>SYNC</sub>	120	180	240	μA	SYNC pin: 0 V	
	Sync input frequency range	f <sub>SYNC</sub>	f <sub>OSC</sub>	—	f <sub>OSC</sub> × 2	kHz		
	External sync initiation voltage	V <sub>SYNC</sub>	V <sub>ref</sub> -1.0	—	V <sub>ref</sub> -0.5	V		
	Minimum pulse width of sync input	PW <sub>min</sub>	300	—	—	ns		
	Input sync pulse duty cycle	PW	5	—	50	%		3
On/off section	ON/OFF sink current 1	I <sub>ON/OFF1</sub>	60	90	120	μA	ON/OFF pin: 3 V	
	ON/OFF sink current 2	I <sub>ON/OFF2</sub>	220	290	380	μA	ON/OFF pin: 5 V	
	IC on threshold	V <sub>ON</sub>	1.1	1.4	1.7	V		
	IC off threshold	V <sub>OFF</sub>	0.4	0.7	1.0	V		
	ON/OFF threshold difference	ΔV <sub>ON/OFF</sub>	0.5	0.7	0.9	V		
Total device	Operating current	I <sub>IN</sub>	6.0	8.5	11.0	mA	C <sub>L</sub> = 1000 pF	
	Quiescent current	I <sub>OFF</sub>	0	—	10	μA	ON/OFF pin: 0 V	1
			—	120	150	μA	ON/OFF pin: 0 V	2

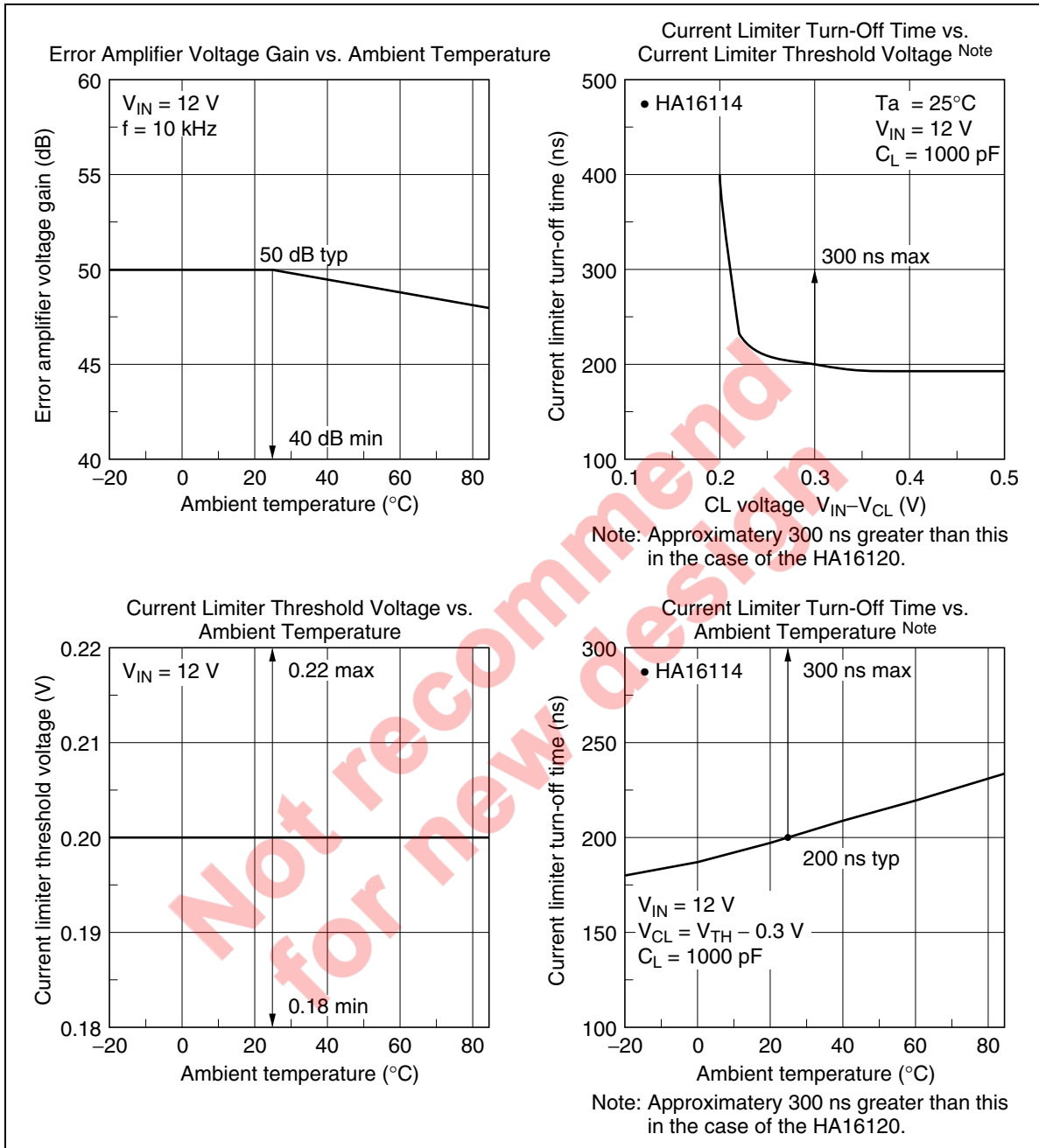
- Notes: 1. HA16114 only.  
 2. HA16120 only.  
 3.  $PW = t_1 / t_2 \times 100$

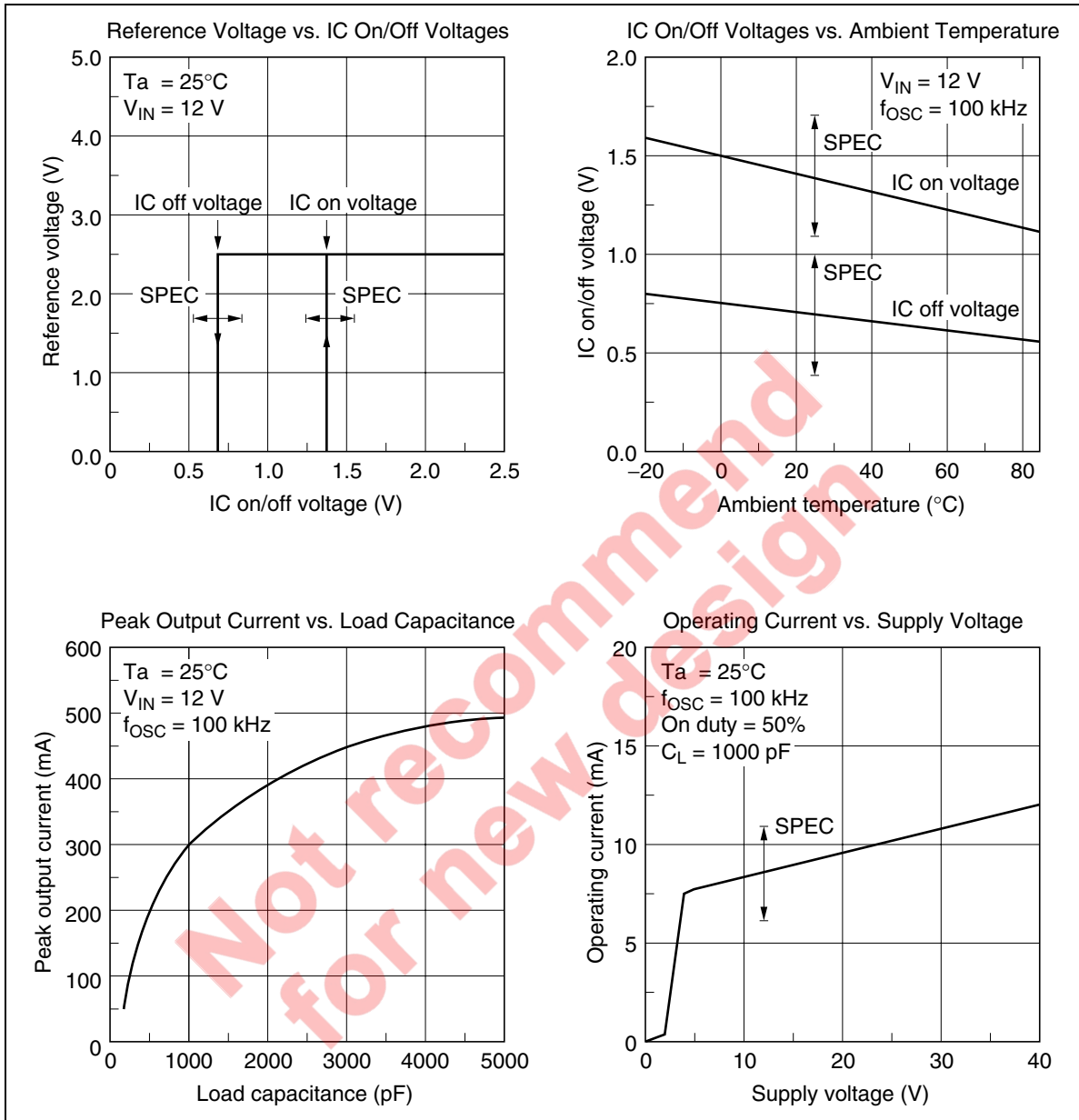


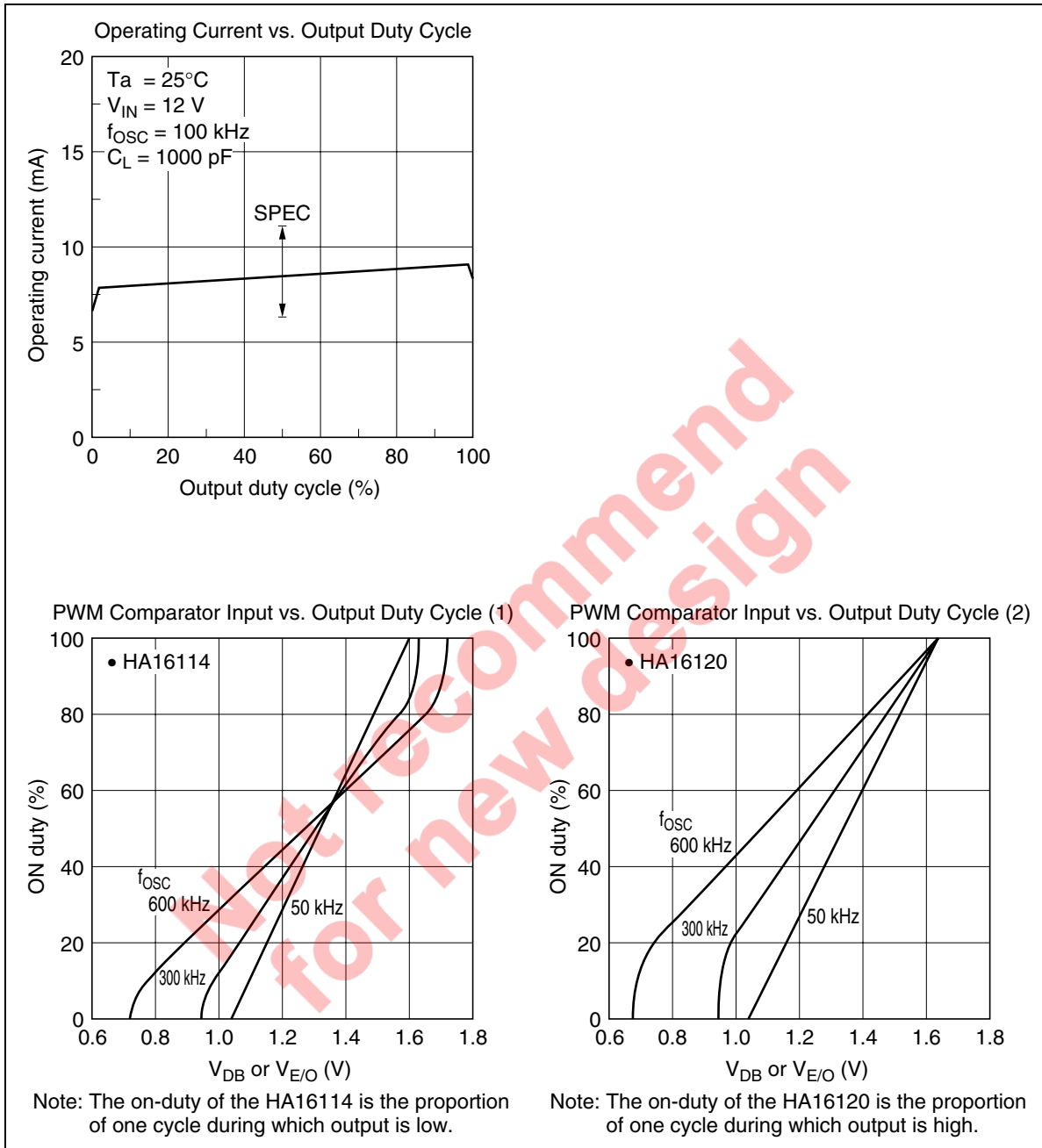
Characteristic Curves

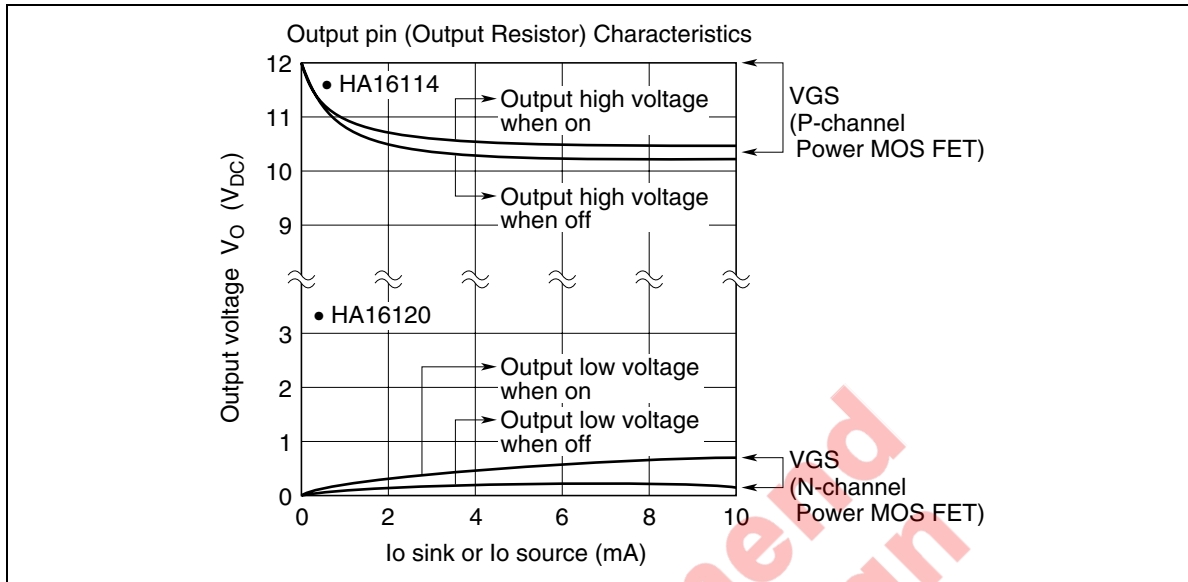




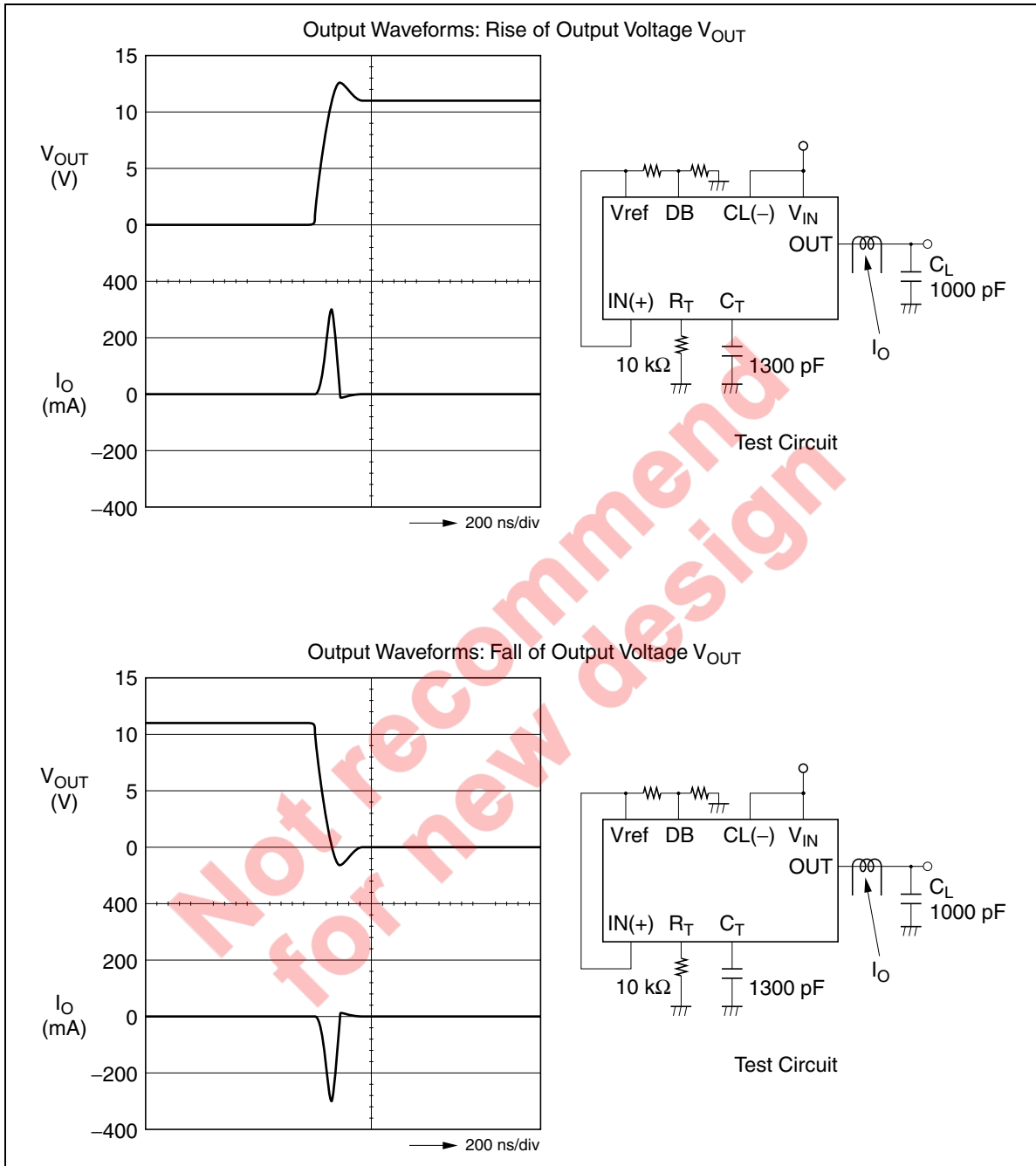




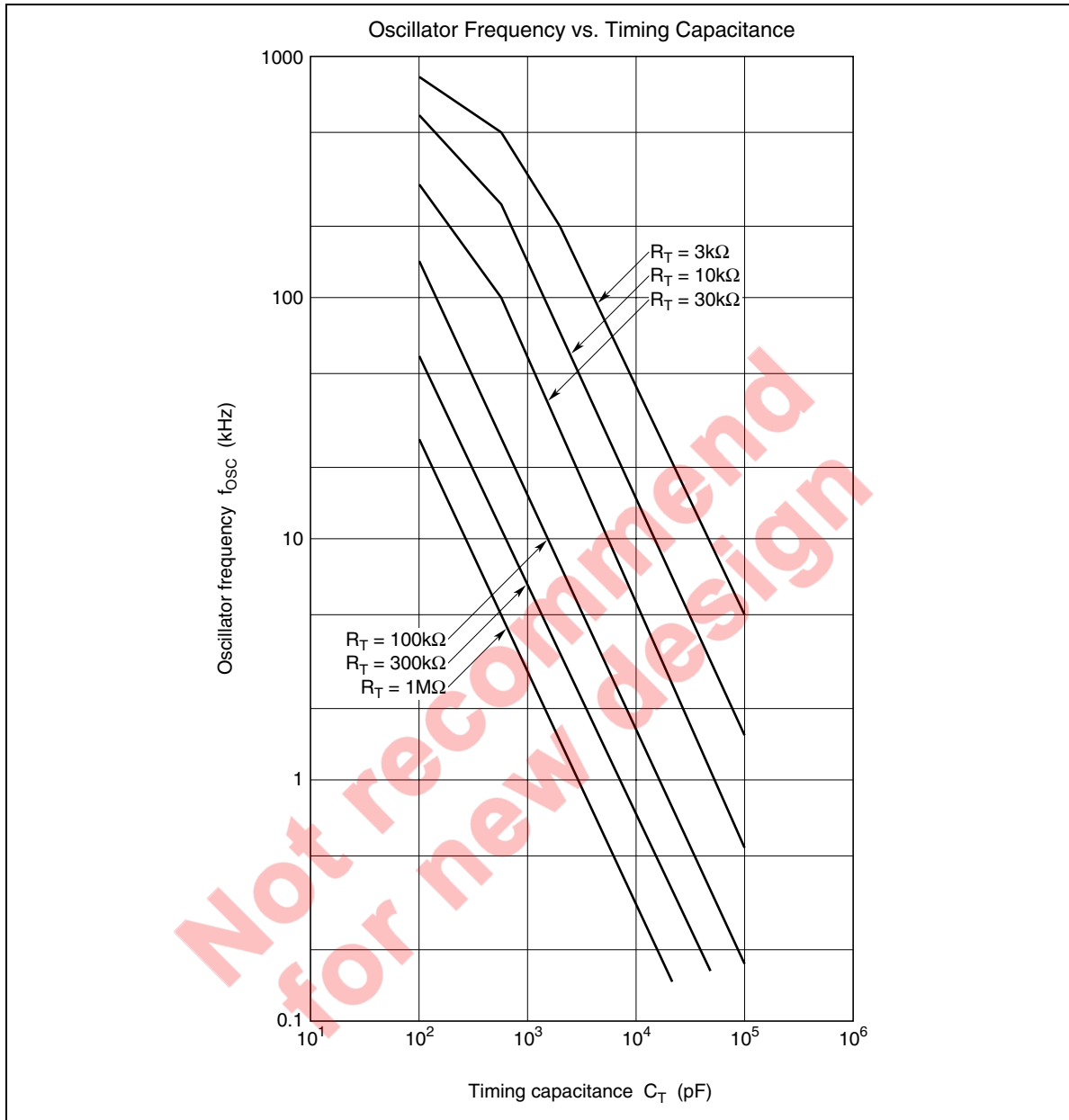




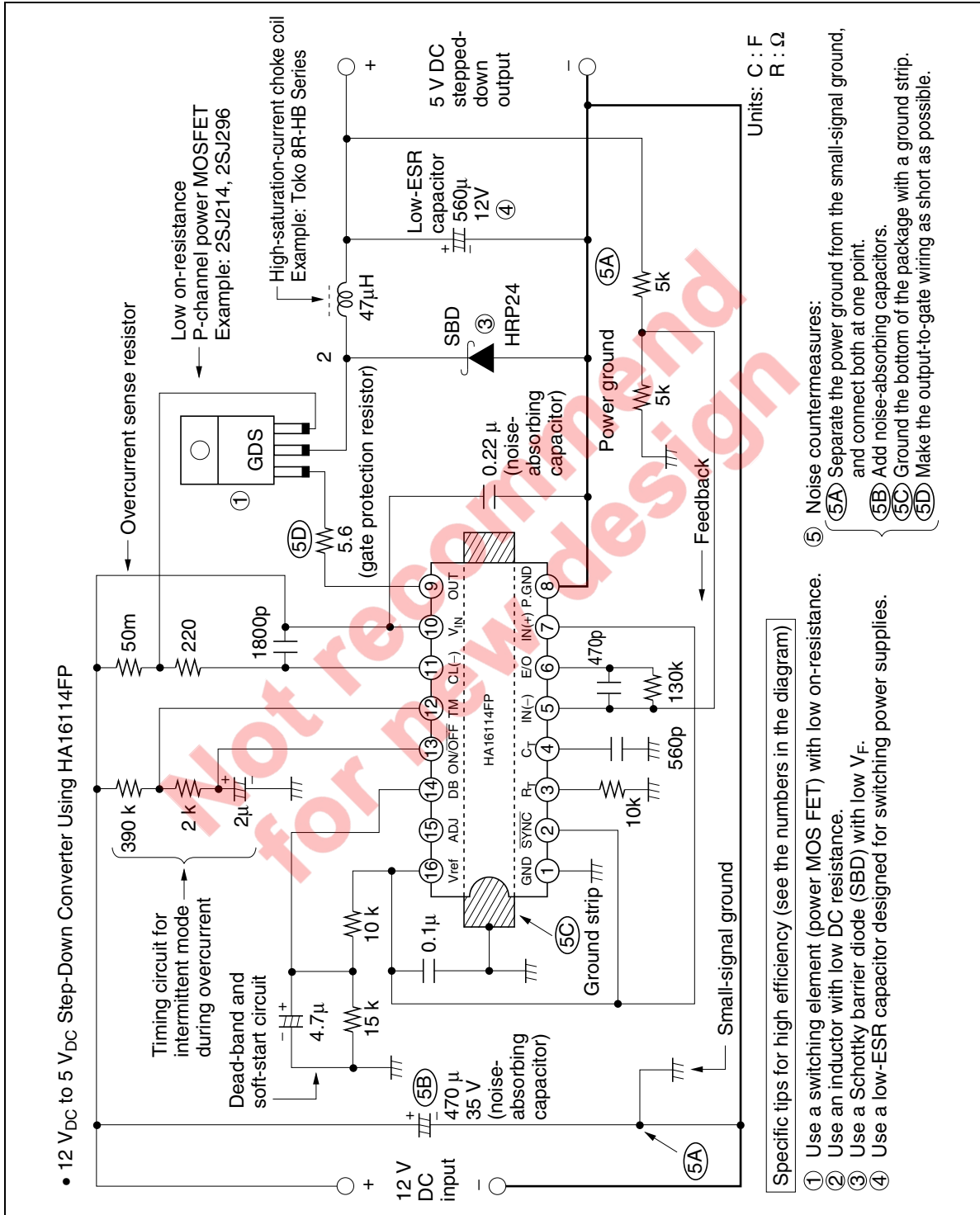
Not recommended for new design





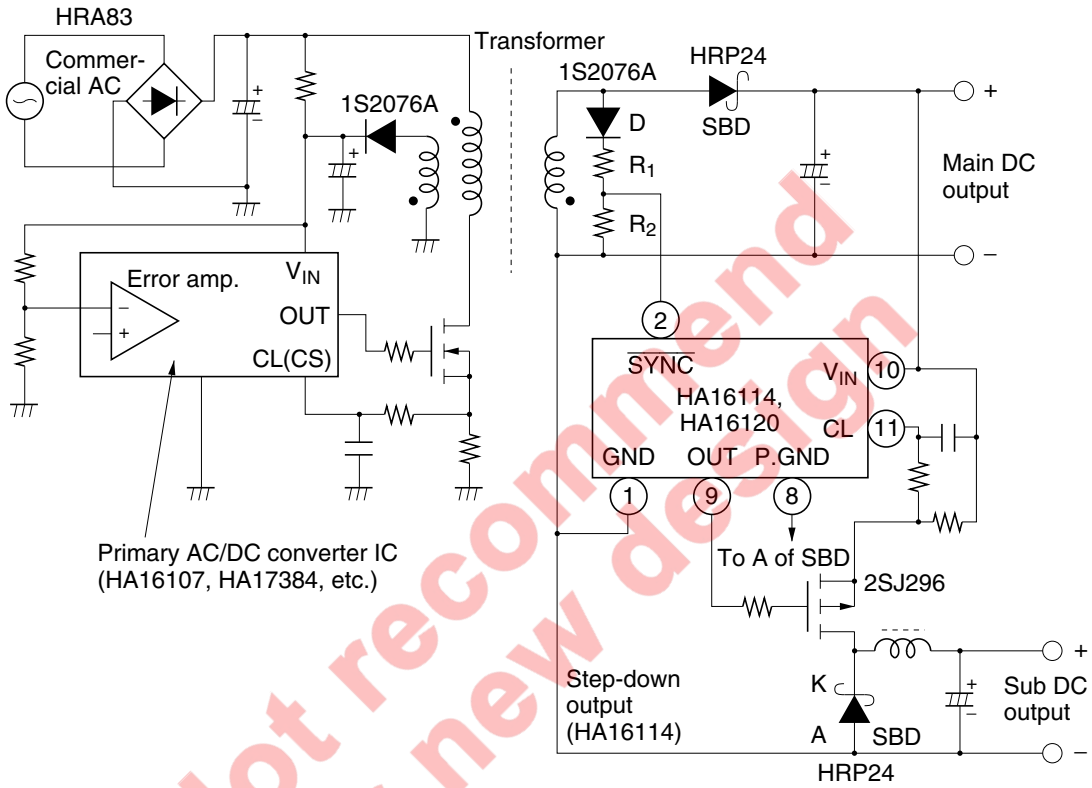


Application Examples (1)



Application Examples (2)

- External Synchronization with Primary-Control AC/DC Converter
  - (1) Combination with a flyback AC/DC converter (simplified schematic)

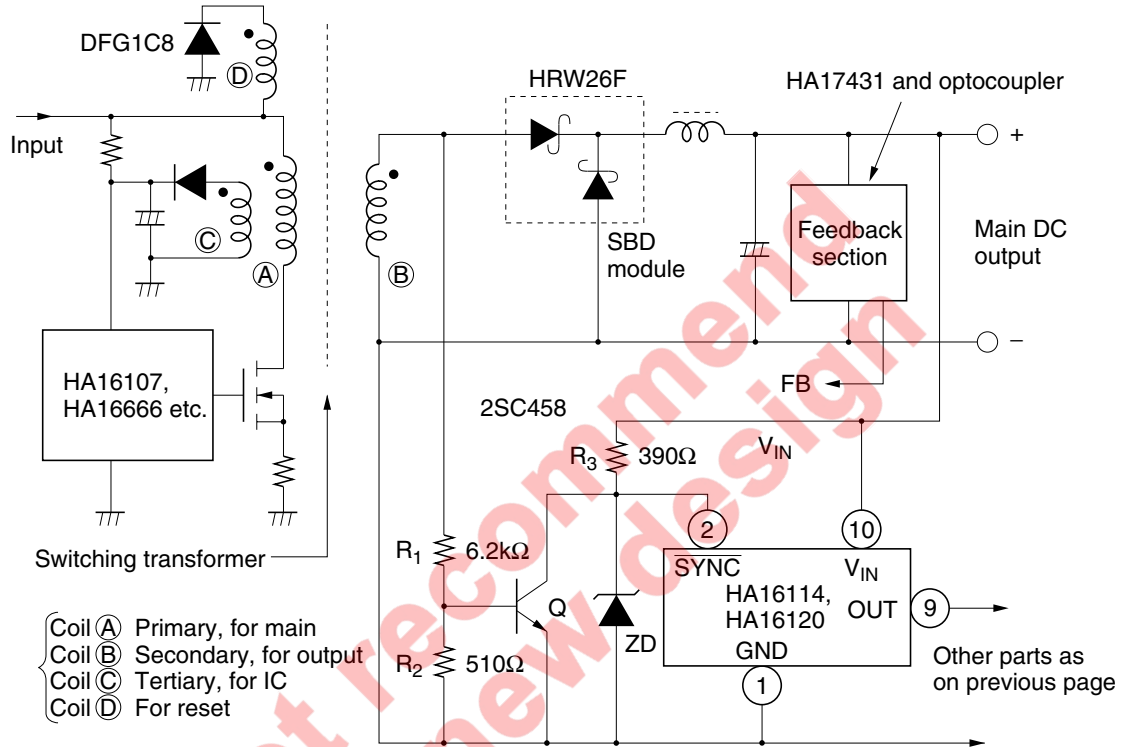


This is one example of a circuit that uses the features of the HA16114/120 by operating in synchronization with a flyback AC/DC converter. Note the following design points concerning the circuit from the secondary side of the transformer to the SYNC pin of the HA16114/120.

- Diode D prevents reverse current. Always insert a diode here. Use a general-purpose switching diode.
- Resistors R<sub>1</sub> and R<sub>2</sub> form a voltage divider to ensure that the input voltage swing at the SYNC pin does not exceed V<sub>ref</sub> (2.5 V). To maintain operating speed, R<sub>1</sub> + R<sub>2</sub> should not exceed 10 kΩ.

Application Examples (3)

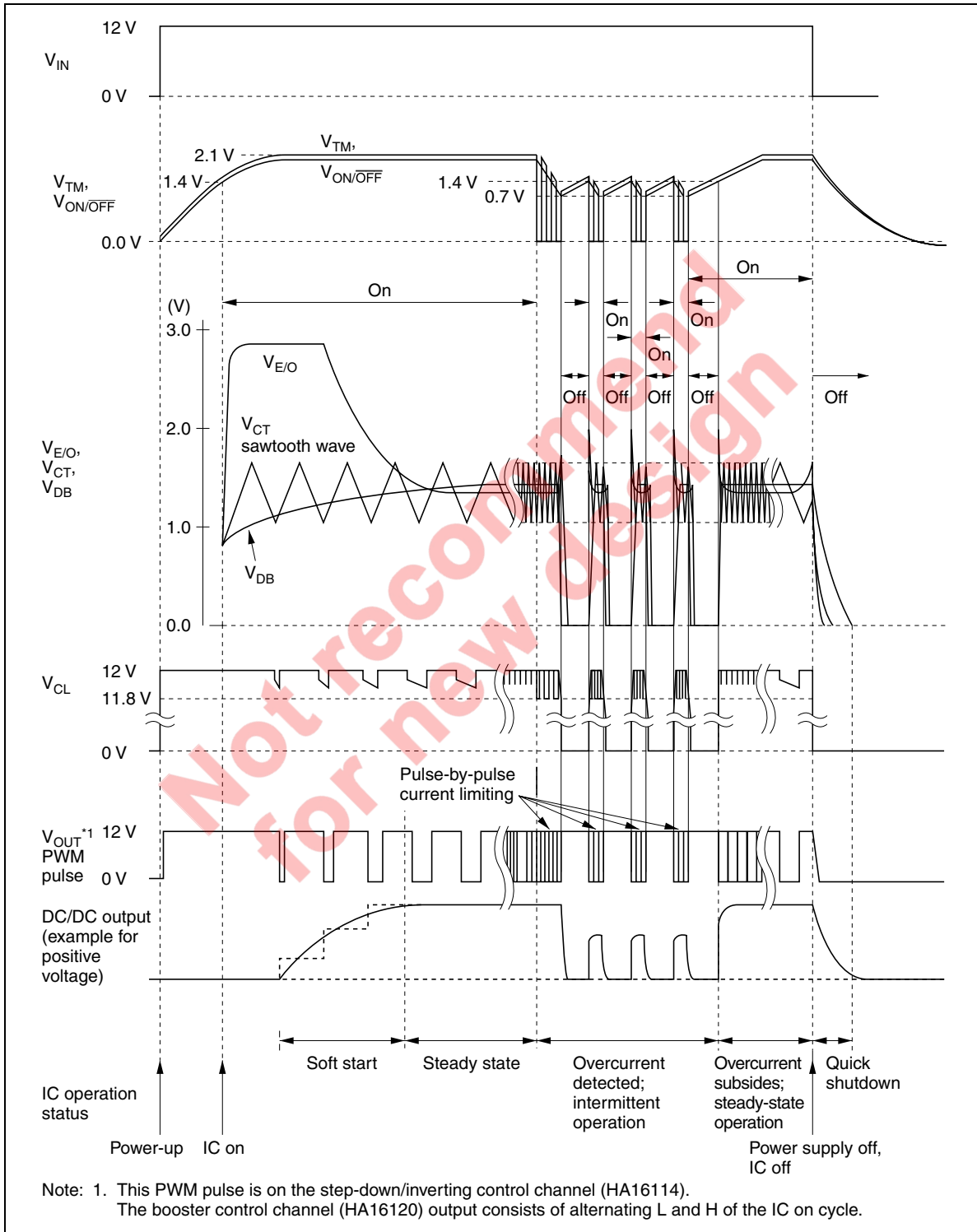
- External Synchronization with Primary-Control AC/DC Converter (cont.)
- (2) Combination with a forward AC/DC converter (simplified schematic)



This circuit illustrates the combination of the HA16114/120 with a forward AC/DC converter. The HA16114/120 synchronizes with the falling edge of the external sync signal, so with a forward transformer, the sync pulses must be inverted. In the diagram, this is done by an external circuit consisting of the following components:

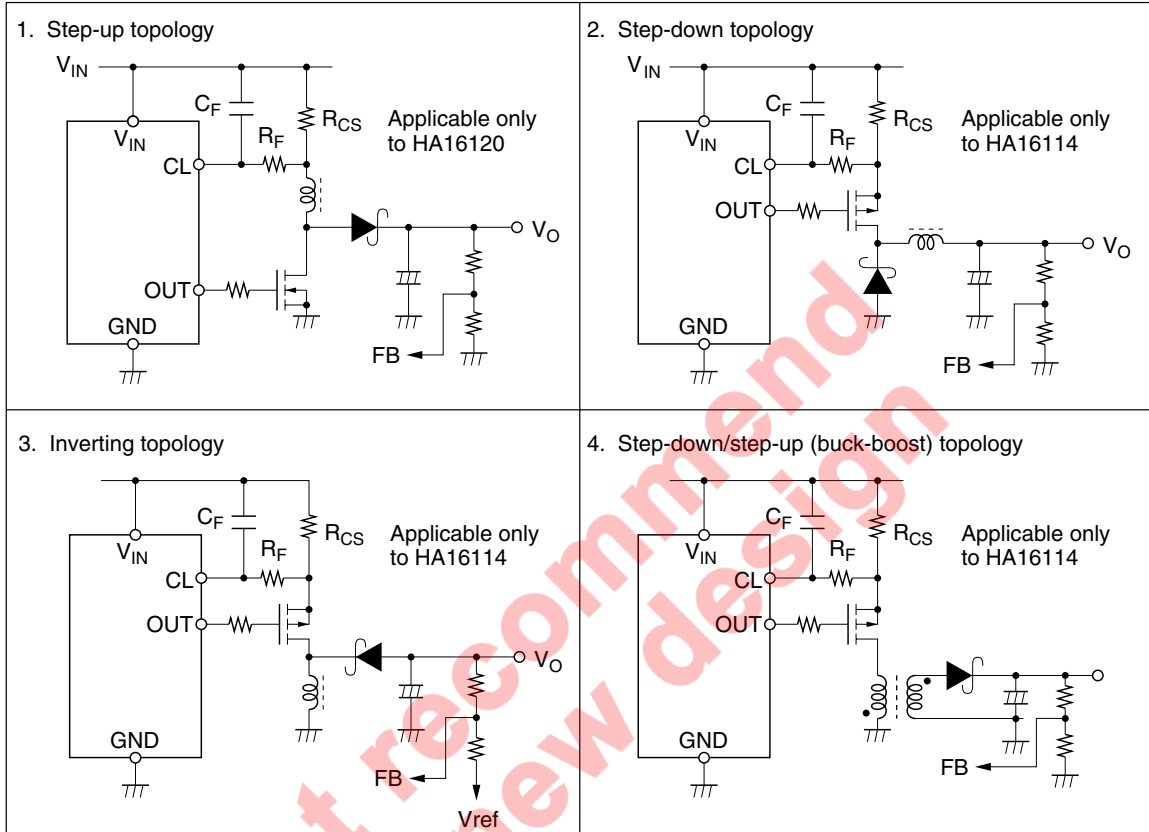
- Q: Transistor for inverting the pulses. Use a small-signal transistor.
- R<sub>1</sub> and R<sub>2</sub>: These resistors form a voltage divider for driving the base of transistor Q. R<sub>2</sub> also provides a path for base discharge, so that the transistor can turn off quickly.
- R<sub>3</sub>: Load resistor for transistor Q.
- ZD: Zener diode for protecting the SYNC pin.

Overall Waveform Timing Diagram (for Application Example (1))

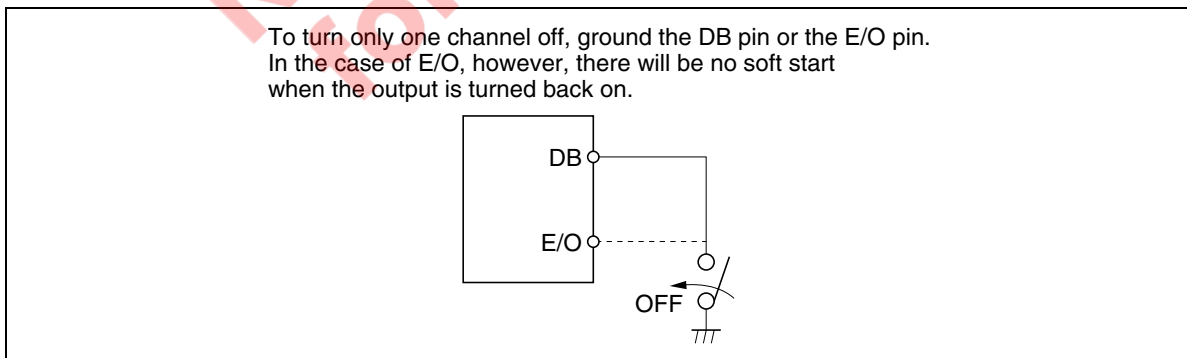


### Application Examples (4) (Some Pointers on Use)

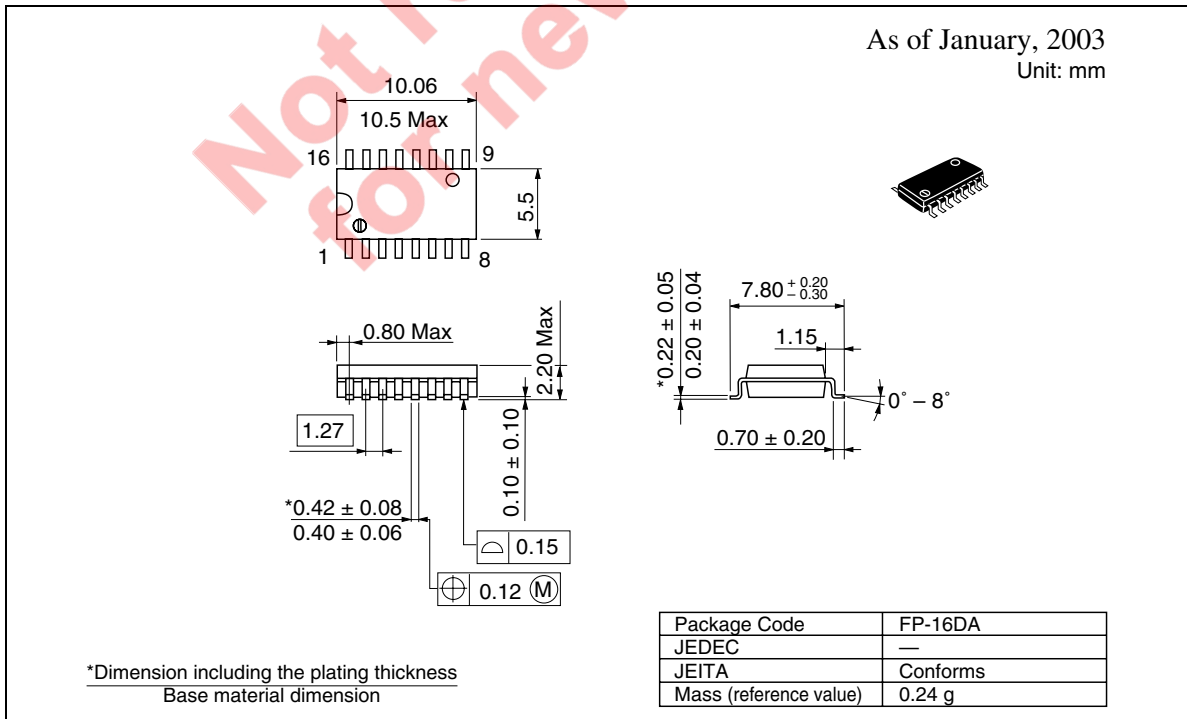
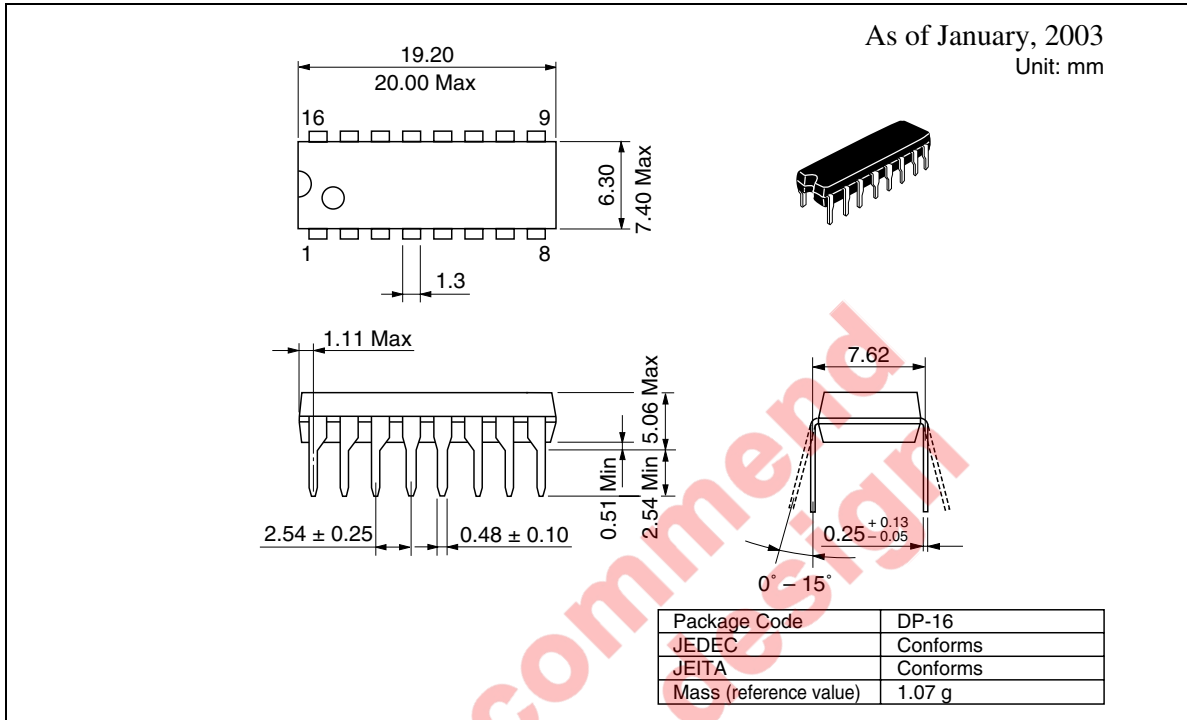
#### 1. Inductor, Power MOS FET, and Diode Connections



#### 2. Turning Output On and Off while the IC is On



Package Dimensions



## RENESAS Technology Corp. Sales Strategic Planning Div. Nippon Bldg., 2-6-2, Ohte-machi, Chiyoda-ku, Tokyo 100-0004, Japan

Keep safety first in your circuit designs!

1. Renesas Technology Corp. puts the maximum effort into making semiconductor products better and more reliable, but there is always the possibility that trouble may occur with them. Trouble with semiconductors may lead to personal injury, fire or property damage.  
Remember to give due consideration to safety when making your circuit designs, with appropriate measures such as (i) placement of substitutive, auxiliary circuits, (ii) use of nonflammable material or (iii) prevention against any malfunction or mishap.

Notes regarding these materials

1. These materials are intended as a reference to assist our customers in the selection of the Renesas Technology Corp. product best suited to the customer's application; they do not convey any license under any intellectual property rights, or any other rights, belonging to Renesas Technology Corp. or a third party.
2. Renesas Technology Corp. assumes no responsibility for any damage, or infringement of any third-party's rights, originating in the use of any product data, diagrams, charts, programs, algorithms, or circuit application examples contained in these materials.
3. All information contained in these materials, including product data, diagrams, charts, programs and algorithms represents information on products at the time of publication of these materials, and are subject to change by Renesas Technology Corp. without notice due to product improvements or other reasons. It is therefore recommended that customers contact Renesas Technology Corp. or an authorized Renesas Technology Corp. product distributor for the latest product information before purchasing a product listed herein.  
The information described here may contain technical inaccuracies or typographical errors.  
Renesas Technology Corp. assumes no responsibility for any damage, liability, or other loss rising from these inaccuracies or errors.  
Please also pay attention to information published by Renesas Technology Corp. by various means, including the Renesas Technology Corp. Semiconductor home page (<http://www.renesas.com>).
4. When using any or all of the information contained in these materials, including product data, diagrams, charts, programs, and algorithms, please be sure to evaluate all information as a total system before making a final decision on the applicability of the information and products. Renesas Technology Corp. assumes no responsibility for any damage, liability or other loss resulting from the information contained herein.
5. Renesas Technology Corp. semiconductors are not designed or manufactured for use in a device or system that is used under circumstances in which human life is potentially at stake. Please contact Renesas Technology Corp. or an authorized Renesas Technology Corp. product distributor when considering the use of a product contained herein for any specific purposes, such as apparatus or systems for transportation, vehicular, medical, aerospace, nuclear, or undersea repeater use.
6. The prior written approval of Renesas Technology Corp. is necessary to reprint or reproduce in whole or in part these materials.
7. If these products or technologies are subject to the Japanese export control restrictions, they must be exported under a license from the Japanese government and cannot be imported into a country other than the approved destination.  
Any diversion or reexport contrary to the export control laws and regulations of Japan and/or the country of destination is prohibited.
8. Please contact Renesas Technology Corp. for further details on these materials or the products contained therein.



### RENESAS SALES OFFICES

<http://www.renesas.com>

**Renesas Technology America, Inc.**  
450 Holger Way, San Jose, CA 95134-1368, U.S.A  
Tel: <1> (408) 382-7500 Fax: <1> (408) 382-7501

**Renesas Technology Europe Limited.**  
Dukes Meadow, Millboard Road, Bourne End, Buckinghamshire, SL8 5FH, United Kingdom  
Tel: <44> (1628) 585 100, Fax: <44> (1628) 585 900

**Renesas Technology Europe GmbH**  
Dornacher Str. 3, D-85622 Feldkirchen, Germany  
Tel: <49> (89) 380 70 0, Fax: <49> (89) 929 30 11

**Renesas Technology Hong Kong Ltd.**  
7/F., North Tower, World Finance Centre, Harbour City, Canton Road, Hong Kong  
Tel: <852> 2265-6688, Fax: <852> 2375-6836

**Renesas Technology Taiwan Co., Ltd.**  
FL 10, #99, Fu-Hsing N. Rd., Taipei, Taiwan  
Tel: <886> (2) 2715-2888, Fax: <886> (2) 2713-2999

**Renesas Technology (Shanghai) Co., Ltd.**  
26/F., Ruijin Building, No.205 Maoming Road (S), Shanghai 200020, China  
Tel: <86> (21) 6472-1001, Fax: <86> (21) 6415-2952

**Renesas Technology Singapore Pte. Ltd.**  
1, Harbour Front Avenue, #06-10, Keppel Bay Tower, Singapore 098632  
Tel: <65> 6213-0200, Fax: <65> 6278-8001