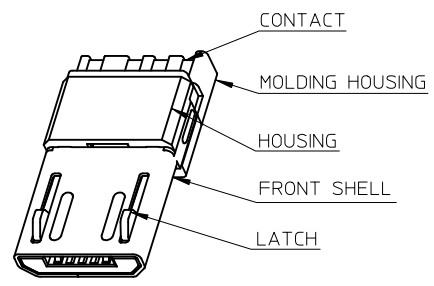
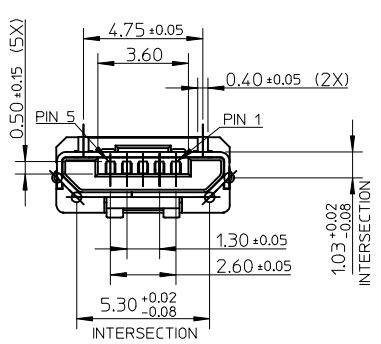


MICRO USB PLUG CONNECTOR PIN ASSIGNMENT

CONTACT NUMBER	SIGNAL NAME	DESCRIPTION
1	VBUS	POWER
2	D-	MICRO USB
3	D+	DIFFERENTIAL PAIR
4	ID	/
5	GND	GROUND FOR POWER RETURN

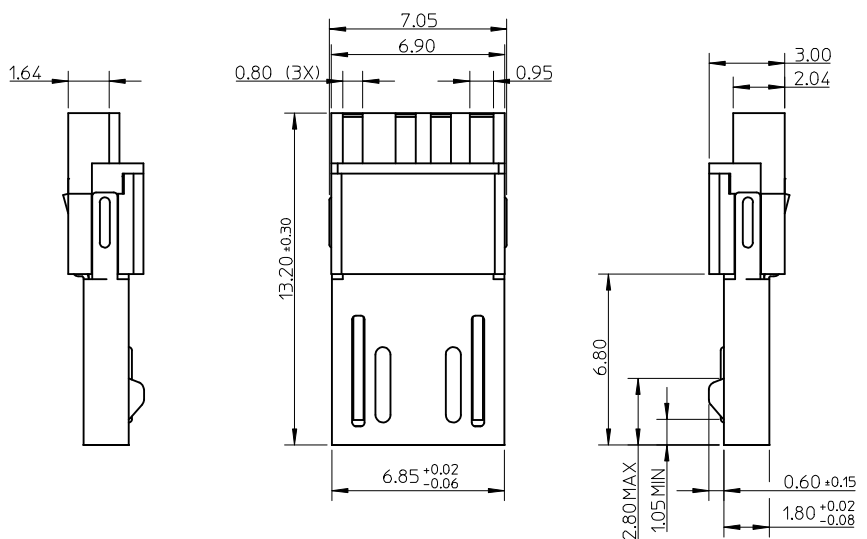
NOTES:

- MATERIAL:
  - HOUSING: THERMOPLASTIC, GLASS FIBER FILLED, UL94-0, HALOGEN FREE, COLOR: SEE TABLE;
  - MOLDING: THERMOPLASTIC, GLASS FIBER FILLED, UL94-0, HALOGEN FREE, COLOR: BLACK;
  - CONTACT: COPPER ALLOY;
  - FRONT SHELL: STAINLESS STEEL;
  - LATCH: STAINLESS STEEL.
- FINISH:
  - CONTACT: GOLD PLATING IN CONTACT AREA, THICKNESS SEE TABLE; PLATED BRIGHT TIN(Sn) 120u" MIN. IN SOLDER TAIL AREA; PLATED NICKEL(Ni) 50u" MIN OVERALL.
  - FRONT SHELL: NICKEL(Ni) 30u" MIN OVERALL.
  - LATCH: CLEANING.
- PRODUCT SPECIFICATION: PS-105301-001.
- PACKAGING SPECIFICATION: PK-105301-001.
- TEST SUMMARY: TS-105301-001.
- LEAD FREE AND RoHS COMPLIANT PRODUCT.



105301-0301	GOLD FLASH	WHITE
105301-0201	GOLD 30u" MINIMUM	BLACK
105301-0101	GOLD FLASH	BLACK
105301-0001	GOLD 30u" MINIMUM	WHITE
PART NUMBER	CONTACT AREA PLATING	HOUSING COLOR

ADD PART NUMBER EC NO: SH2016-0062 DRWN:XOZHANG 2015/08/11 CHKD:XOZHANG 2015/08/11 APPR:AYIN 2015/09/08	QUALITY SYMBOLS F=0 F=0 F=0	GENERAL TOLERANCES (UNLESS SPECIFIED) mm INCH 4 PLACES ± --- ± --- 3 PLACES ± --- ± --- 2 PLACES ± 0.25 ± --- 1 PLACE ± 0.35 ± --- 0 PLACE ± --- ± --- ANGULAR ± 2°	DIMENSION STYLE MM ONLY DRAWN BY: XOZHANG DATE: 2013/07/25 CHECKED BY: XOZHANG DATE: 2013/07/25 APPROVED BY: AYIN DATE: 2013/08/15	SCALE 1:1 DESIGN UNITS METRIC THIRD ANGLE PROJECTION	TITLE SALES DRAWING FOR USB MICRO-B, PLUG HEIGHT: 3.4MM <b>molex</b>
	DRAFT WHERE APPLICABLE MUST REMAIN WITHIN DIMENSIONS	MATERIAL NO. 105301-0001	DOCUMENT NO. SD-105301-001	SHEET NO. 1 OF 1	
	THIS DRAWING CONTAINS INFORMATION THAT IS PROPRIETARY TO MOLEX INCORPORATED AND SHOULD NOT BE USED WITHOUT WRITTEN PERMISSION				
	SIZE A3				

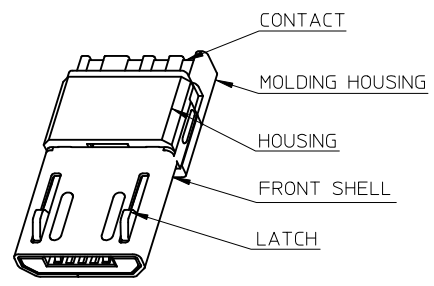
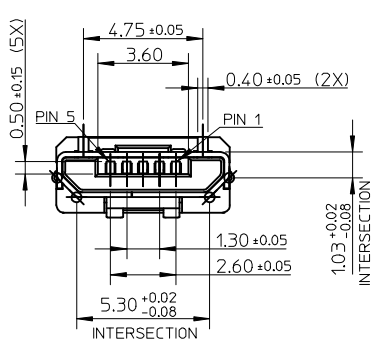


MICRO USB PLUG CONNECTOR PIN ASSIGNMENT

CONTACT NUMBER	SIGNAL NAME	DESCRIPTION
1	VBUS	POWER
2	D-	MICRO USB
3	D+	DIFFERENTIAL PAIR
4	ID	/
5	GND	GROUND FOR POWER RETURN

NOTES:

- MATERIAL:
  - HOUSING: THERMOPLASTIC, GLASS FIBER FILLED, UL94-0, HALOGEN FREE, COLOR: SEE TABLE;
  - MOLDING: THERMOPLASTIC, GLASS FIBER FILLED, UL94-0, HALOGEN FREE, COLOR: BLACK;
  - CONTACT: COPPER ALLOY;
  - FRONT SHELL: STAINLESS STEEL;
  - LATCH: STAINLESS STEEL.
- FINISH:
  - CONTACT: GOLD PLATING IN CONTACT AREA, THICKNESS SEE TABLE; PLATED BRIGHT TIN(Sn) 120u" MIN. IN SOLDER TAIL AREA; PLATED NICKEL(Ni) 50u" MIN OVERALL.
  - FRONT SHELL: NICKEL(Ni) 30u" MIN OVERALL.
  - LATCH: CLEANING.
- PRODUCT SPECIFICATION: PS-105301-001.
- PACKAGING SPECIFICATION: PK-105301-001.
- TEST SUMMARY: TS-105301-001.
- LEAD FREE AND RoHS COMPLIANT PRODUCT.



105301-0301	GOLD FLASH	WHITE
105301-0201	GOLD 30u" MINIMUM	BLACK
105301-0101	GOLD FLASH	BLACK
105301-0001	GOLD 30u" MINIMUM	WHITE
PART NUMBER	CONTACT AREA PLATING	HOUSING COLOR

ADD PART NUMBER EC NO: SH2016-0062 DRWN:XOZHANG 2015/08/11 CHKD:XOZHANG 2015/08/11 APPR:AYIN 2015/09/08	QUALITY SYMBOLS F=0 F=0 F=0	GENERAL TOLERANCES (UNLESS SPECIFIED) mm INCH 4 PLACES ± --- ± --- 3 PLACES ± --- ± --- 2 PLACES ± 0.25 ± --- 1 PLACE ± 0.35 ± --- 0 PLACE ± --- ± --- ANGULAR ± 2 °	DIMENSION STYLE MM ONLY DRAWN BY: XOZHANG CHECKED BY: XOZHANG APPROVED BY: AYIN DATE: 2013/07/25 DATE: 2013/07/25 DATE: 2013/08/15	SCALE 1:1	DESIGN UNITS METRIC	THIRD ANGLE PROJECTION	TITLE SALES DRAWING FOR USB MICRO-B, PLUG HEIGHT: 3.4MM
	MATERIAL NO. 105301-0001	DOCUMENT NO. SD-105301-001	SHEET NO. 1 OF 1	THIS DRAWING CONTAINS INFORMATION THAT IS PROPRIETARY TO MOLEX INCORPORATED AND SHOULD NOT BE USED WITHOUT WRITTEN PERMISSION			
	DRAFT WHERE APPLICABLE MUST REMAIN WITHIN DIMENSIONS		SIZE A3	THIS DRAWING CONTAINS INFORMATION THAT IS PROPRIETARY TO MOLEX INCORPORATED AND SHOULD NOT BE USED WITHOUT WRITTEN PERMISSION			